



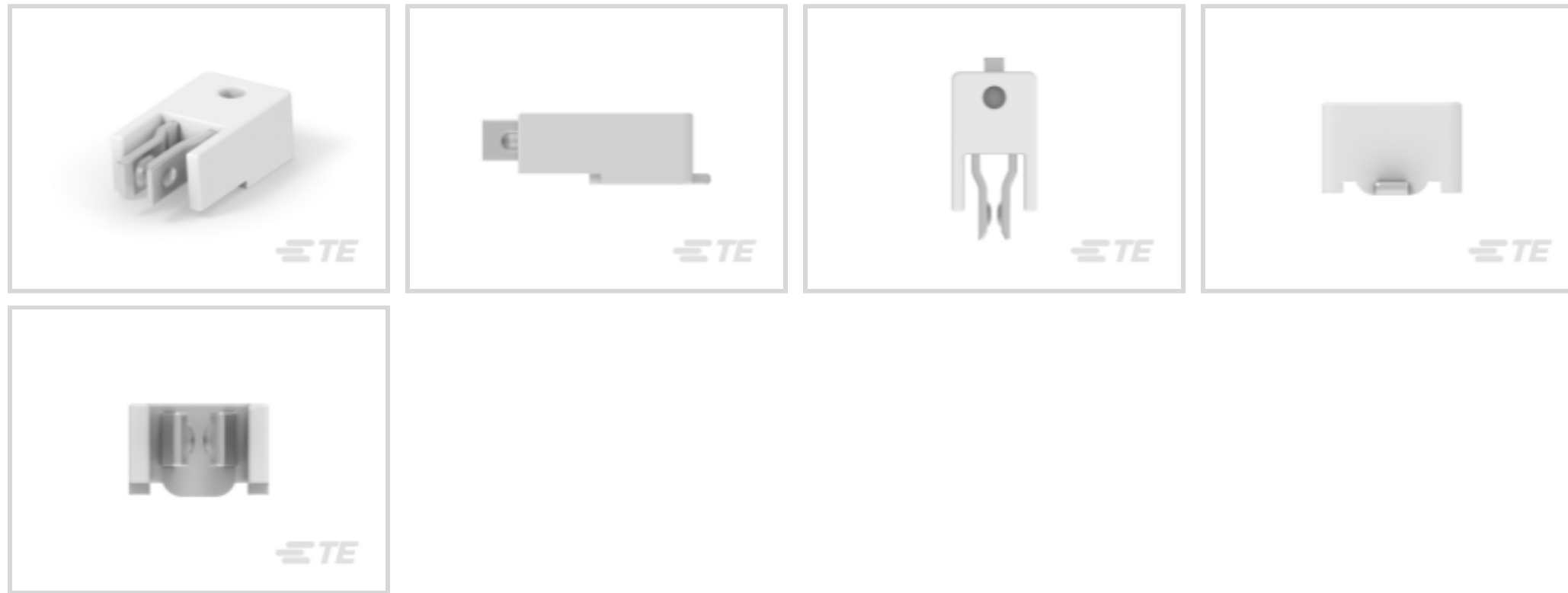
LUMAWISE

TE Internal #: 1971743-1

PCB Mount Receptacle, Right Angle, Board-to-Board, 1 Position, Tin, Surface Mount, Signal, Natural

[View on TE.com >](#)

Connectors > PCB Connectors > PCB Headers & Receptacles



PCB Connector Assembly Type: **PCB Mount Receptacle**

PCB Mount Orientation: **Right Angle**

Connector System: **Board-to-Board**

Number of Positions: **1**

Number of Rows: **1**

**Features**

**Product Type Features**

PCB Connector Assembly Type	PCB Mount Receptacle
Connector System	Board-to-Board
Sealable	No
Connector & Contact Terminates To	Printed Circuit Board

**Configuration Features**

PCB Mount Orientation	Right Angle
Number of Positions	1
Number of Rows	1

**Body Features**

Primary Product Color	Natural
-----------------------	---------

**Contact Features**

Contact Fabrication	Stamped & Formed
PCB Contact Termination Area Plating Material Thickness	2 – 6 μm[78.74 – 251 μin]
Contact Mating Area Plating Material Finish	Matte



PCB Contact Termination Area Plating Material	Tin
Contact Mating Area Plating Material	Tin
Contact Mating Area Plating Material Thickness	2 – 5 µm
Contact Type	Receptacle
Contact Current Rating (Max)	3 A

### Termination Features

Termination Method to Printed Circuit Board	Surface Mount
---	---------------

### Mechanical Attachment

Mating Retention	Without
Mating Retention Type	Contact Friction
PCB Mount Retention	Without
PCB Mount Alignment	Without
Connector Mounting Type	Board Mount

### Housing Features

Housing Material	LCP (Liquid Crystal Polymer)
------------------	------------------------------

### Dimensions

Connector Length	5.9 mm[.232 in] .079 in
------------------	----------------------------

### Usage Conditions

Operating Temperature Range	-40 – 105 °C[-40 – 221 °F]
-----------------------------	----------------------------

### Operation/Application

Circuit Application	Signal
---------------------	--------

### Industry Standards

Agency/Standard	UL
Approved Standards	UL 1977, UL E28476
UL Flammability Rating	UL 94V-0

### Packaging Features

Packaging Type	Tape & Reel
----------------	-------------

### Product Compliance

[For compliance documentation, visit the product page on TE.com>](#)

EU RoHS Directive 2011/65/EU	Compliant
------------------------------	-----------



EU ELV Directive 2000/53/EC	Compliant
China RoHS 2 Directive MIIT Order No 32, 2016	No Restricted Materials Above Threshold
EU REACH Regulation (EC) No. 1907/2006	Current ECHA Candidate List: JUNE 2023 (235) Candidate List Declared Against: JAN 2018 (181) SVHC > Threshold: Not Yet Reviewed
Halogen Content	Low Halogen - Br, Cl, F, I < 900 ppm per homogenous material. Also BFR/CFR/PVC Free
Solder Process Capability	Reflow solder capable to 260°C

Product Compliance Disclaimer

This information is provided based on reasonable inquiry of our suppliers and represents our current actual knowledge based on the information they provided. This information is subject to change. The part numbers that TE has identified as EU RoHS compliant have a maximum concentration of 0.1% by weight in homogenous materials for lead, hexavalent chromium, mercury, PBB, PBDE, DBP, BBP, DEHP, DIBP, and 0.01% for cadmium, or qualify for an exemption to these limits as defined in the Annexes of Directive 2011/65/EU (RoHS2). Finished electrical and electronic equipment products will be CE marked as required by Directive 2011/65/EU. Components may not be CE marked. Additionally, the part numbers that TE has identified as EU ELV compliant have a maximum concentration of 0.1% by weight in homogenous materials for lead, hexavalent chromium, and mercury, and 0.01% for cadmium, or qualify for an exemption to these limits as defined in the Annexes of Directive 2000/53/EC (ELV). Regarding the REACH Regulations, TE's information on SVHC in articles for this part number is still based on the European Chemical Agency (ECHA) 'Guidance on requirements for substances in articles' (Version: 2, April 2011), applying the 0.1% weight on weight concentration threshold at the finished product level. TE is aware of the European Court of Justice ruling of September 10th, 2015 also known as O5A (Once An Article Always An Article) stating that, in case of 'complex object', the threshold for a SVHC must be applied to both the product as a whole and simultaneously to each of the articles forming part of its composition. TE has evaluated this ruling based on the new ECHA "Guidance on requirements for substances in articles" (June 2017, version 4.0) and will be updating its statements accordingly.

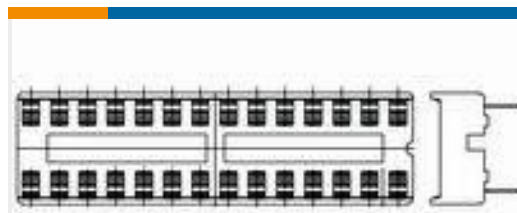
### Compatible Parts



### Customers Also Bought



TE Part #2-1871940-1  
DYNAMIC 1900D REC ASSY CAGE 22p



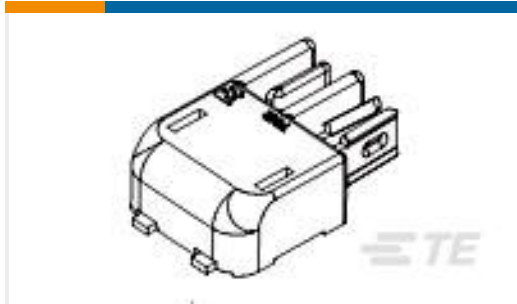
TE Part #1-2199298-3  
14P,DIP SKT,300 CL,LDR,PB FREE



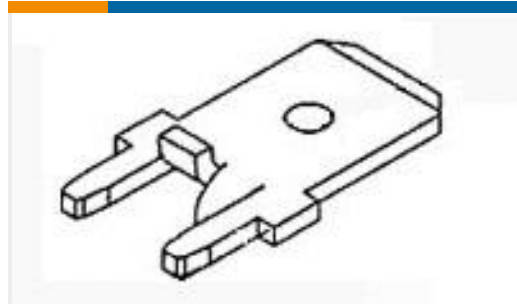
TE Part #1-1609112-3  
15CBS1=F8273



TE Part #292304-1  
STD USB TYPE B, R/A, T/H



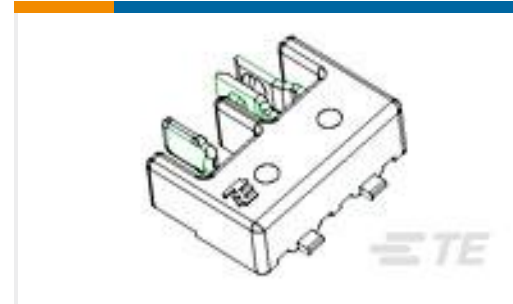
TE Part #2058703-1  
Herm Blade & Recp Assy, 2 Pos,Latch



TE Part #1217861-1  
250 FASTON,PCB TAB,TCBR



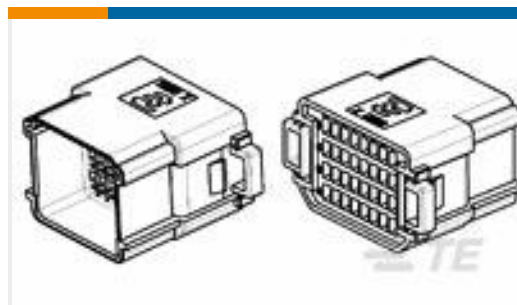
TE Part #1-2834011-2  
2POS 3.5MM TOP ENTRY  
SCREWLESS CONN.



TE Part #1971567-3  
MINIATURE HERMAPHRODITIC (6P)



TE Part #770835-3  
MINI UMNL PIN AU



TE Part #1981556-1  
ME M D1100 24P-R TAB HSG ASSY

## Documents

### Product Drawings

[1P female slim board to board connector](#)

English

### CAD Files

Customer View Model

[ENG\\_CVM\\_CVM\\_1971743-1\\_A1.3d\\_igs.zip](#)

English

Customer View Model

[ENG\\_CVM\\_CVM\\_1971743-1\\_A1.3d\\_stp.zip](#)

English

Customer View Model

[ENG\\_CVM\\_CVM\\_1971743-1\\_A1.2d\\_dxf.zip](#)

English

[3D PDF](#)

3D

By downloading the CAD file I accept and agree to the [Terms and Conditions](#) of use.

## Datasheets & Catalog Pages



[7-1773456-9\\_Mini\\_Herm](#)

English

[7-1773456-9\\_Mini\\_Herm](#)

---

**Product Specifications**

[Application Specification](#)

English

---

**Agency Approvals**

[Mini Hermaphroditic Connectors](#)

English