

1971567-1 ✓ ACTIVE



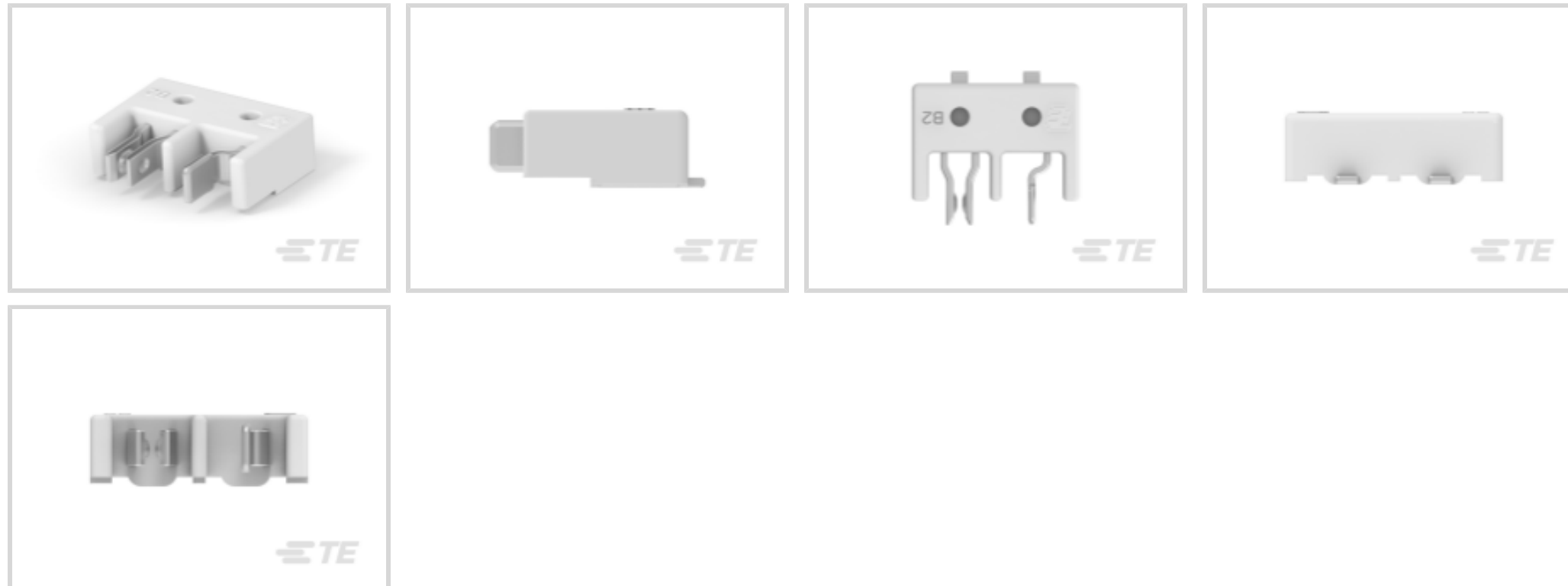
LUMAWISE

TE Internal #: 1971567-1

PCB Mount Hermaphroditic Connector, Horizontal, Board-to-Board, 2 Position, 3 mm Centerline, Tin, Surface Mount, Power, Natural

[View on TE.com >](#)

Connectors > PCB Connectors > PCB Headers & Receptacles



PCB Connector Assembly Type: **PCB Mount Hermaphroditic Connector**

PCB Mount Orientation: **Horizontal**

Connector System: **Board-to-Board**

Number of Positions: **2**

Number of Rows: **1**

Features

Product Type Features

PCB Connector Assembly Type	PCB Mount Hermaphroditic Connector
Connector System	Board-to-Board
Sealable	No

Configuration Features

Stackable	No
Connector Contact Load Condition	Fully Loaded
PCB Mount Orientation	Horizontal
Number of Positions	2
Number of Rows	1
Board-to-Board Configuration	Co-Planar

Electrical Characteristics

Dielectric Withstanding Voltage (Max)	300 VDC
Operating Voltage	300 VAC

Body Features



Primary Product Color	Natural
-----------------------	---------

Contact Features

Contact Layout	Inline
Mating Tab Width	1.55 mm[.061 in]
Mating Tab Thickness	.3 mm[.011 in]
PCB Contact Termination Area Plating Material	Tin
Contact Base Material	Copper Alloy
Contact Mating Area Plating Material	Tin
Contact Type	Hermaphroditic
Contact Current Rating (Max)	3 A

Termination Features

Rectangular Termination Post & Tail Thickness	.3 mm[.011 in]
Rectangular Termination Post & Tail Width	.7 mm[.028 in]
Termination Method to Printed Circuit Board	Surface Mount

Mechanical Attachment

PCB Mount Alignment Type	None
Mating Alignment	Without
PCB Mount Retention	Without
PCB Mount Alignment	Without
Connector Mounting Type	Board Mount

Housing Features

Centerline (Pitch)	3 mm
Housing Material	LCP

Dimensions

PCB Thickness (Recommended)	1.57 mm[.062 in]
-----------------------------	------------------

Usage Conditions

Housing Temperature Rating	High
Operating Temperature Range	-40 – 105 °C

Operation/Application

Circuit Application	Power
---------------------	-------

Industry Standards



Agency/Standard	CSA
Approved Standards	CSA LR7189, UL E28476
UL Flammability Rating	UL 94V-0

Packaging Features

Packaging Type	Tape & Reel
----------------	-------------

Product Compliance

[For compliance documentation, visit the product page on TE.com>](#)

EU RoHS Directive 2011/65/EU	Compliant
EU ELV Directive 2000/53/EC	Compliant
China RoHS 2 Directive MIIT Order No 32, 2016	No Restricted Materials Above Threshold
EU REACH Regulation (EC) No. 1907/2006	Current ECHA Candidate List: JUNE 2023 (235) Candidate List Declared Against: JUL 2021 (219) Does not contain REACH SVHC
Halogen Content	Low Halogen - Br, Cl, F, I < 900 ppm per homogenous material. Also BFR/CFR/PVC Free
Solder Process Capability	Reflow solder capable to 260°C

Product Compliance Disclaimer

This information is provided based on reasonable inquiry of our suppliers and represents our current actual knowledge based on the information they provided. This information is subject to change. The part numbers that TE has identified as EU RoHS compliant have a maximum concentration of 0.1% by weight in homogenous materials for lead, hexavalent chromium, mercury, PBB, PBDE, DBP, BBP, DEHP, DIBP, and 0.01% for cadmium, or qualify for an exemption to these limits as defined in the Annexes of Directive 2011/65/EU (RoHS2). Finished electrical and electronic equipment products will be CE marked as required by Directive 2011/65/EU. Components may not be CE marked. Additionally, the part numbers that TE has identified as EU ELV compliant have a maximum concentration of 0.1% by weight in homogenous materials for lead, hexavalent chromium, and mercury, and 0.01% for cadmium, or qualify for an exemption to these limits as defined in the Annexes of Directive 2000/53/EC (ELV). Regarding the REACH Regulation, the information TE provides on SVHC in articles for this part number is based on the latest European Chemicals Agency (ECHA) 'Guidance on requirements for substances in articles' posted at this URL: <https://echa.europa.eu/guidance-documents/guidance-on-reach>

Compatible Parts




TE Part # 2834006-2
RELEASE POKE-IN
CONNECTOR_2POLES



TE Part # 2213611-1
MINI HERM ASSY WITH POSTS -
SELECT GOLD



TE Part # 2213203-1
Mini Herm insert molded lead Assy

Customers Also Bought



TE Part #1-2834074-2
2P PLUG, MINIATURE WATERPROOF
CONN.WHITE



TE Part #5749070-7
68 50SR VERT RCPT ASSY



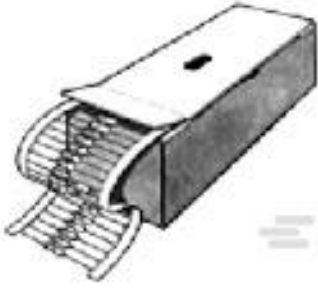
TE Part #1623732-4
BCHE 7 W 120R 5%



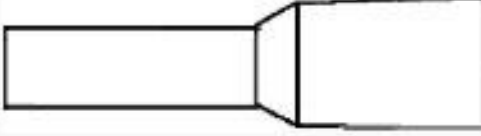
TE Part #2213678-5
Z35 MINI LED HOLDER 13.5*13.5MM
PANHEAD



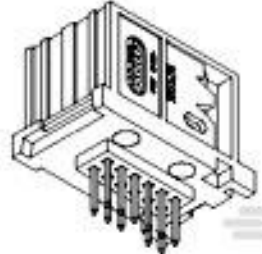
TE Part #9-1879377-0
CRGH0805 5% 4K7 0.33W



TE Part #2176084-9
EP 7W (S) 220R 5%



TE Part #966292-2
FER,WIRE,PL SLV,-,14/26,L8,BROWN,LP



TE Part #2-185526-3
12pos MQS .63 header 180deg



TE Part #2-2176458-7
CPF 1206 1R87 0.1% 25ppm 1K RL

Documents

Product Drawings

[MINIATURE HERMAPHRODITIC \(2P\)](#)

English

CAD Files

[Customer View Model](#)

[ENG_CVM_CVM_1971567-1_B1.2d_dxf.zip](#)

English

[3D PDF](#)



3D

Customer View Model

[ENG_CVM_CVM_1971567-1_B1.3d_igs.zip](#)

English

Customer View Model

[ENG_CVM_CVM_1971567-1_B1.3d_stp.zip](#)

English

By downloading the CAD file I accept and agree to the [Terms and Conditions](#) of use.

Datasheets & Catalog Pages

[7-1773456-9_Mini_Herm](#)

English

[7-1773456-9_Mini_Herm](#)

Product Specifications

[Application Specification](#)

English

[Application Specification](#)

English

Product Environmental Compliance

[TE Material Declaration](#)

English

Agency Approvals

[Mini Hermaphroditic Connectors](#)

English