

1971030-4 ✓ ACTIVE



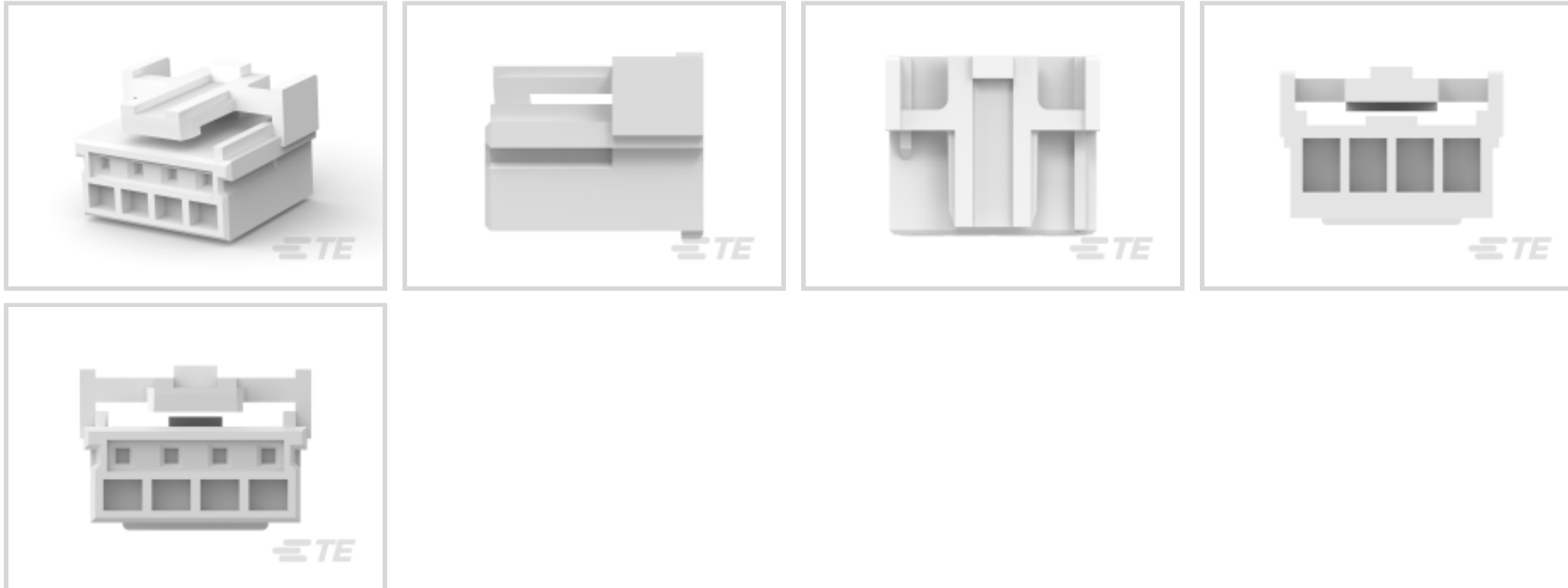
GRACE INERTIA 2.0

TE Internal #: 1971030-4

Rectangular Connector Housings, Wire-to-Board, 4 Position, .079 in [2 mm] Centerline, 1 Row, Nylon 66 GF, Plug, Socket, GRACE INERTIA 2.0

[View on TE.com >](#)

Connectors > Rectangular Connectors > Rectangular Connector Housings > STD Temp Sig GRACE INERTIA Plug



Connector System: **Wire-to-Board**

Number of Positions: **4**

Centerline (Pitch): **2 mm [.079 in]**

Number of Rows: **1**

Housing Material: **Nylon 66 GF**

[All STD Temp Sig GRACE INERTIA Plug \(63\)](#)

Features

Product Type Features

| | |
|-----------------------------------|---------------|
| Connector System | Wire-to-Board |
| Connector & Housing Type | Plug |
| Sealable | No |
| Connector & Contact Terminates To | Wire & Cable |

Configuration Features

| | |
|---------------------|---|
| Number of Cavities | 4 |
| Number of Positions | 4 |
| Number of Rows | 1 |

Electrical Characteristics

| | |
|-------------------|--------|
| Operating Voltage | 50 VAC |
|-------------------|--------|

Contact Features

| | |
|----------------|--------|
| Contact Layout | Inline |
|----------------|--------|



| | |
|--------------|--------|
| Contact Type | Socket |
|--------------|--------|

Mechanical Attachment

| | |
|-------------------------|----------------------------|
| Connector Mounting Type | Cable Mount (Free-Hanging) |
|-------------------------|----------------------------|

Housing Features

| | |
|---------------|---------|
| Housing Color | Natural |
|---------------|---------|

| | |
|--------------------|---------------|
| Centerline (Pitch) | 2 mm[.079 in] |
|--------------------|---------------|

| | |
|------------------|-------------|
| Housing Material | Nylon 66 GF |
|------------------|-------------|

Dimensions

| | |
|------------------|-----------------|
| Connector Height | 7.9 mm[.311 in] |
|------------------|-----------------|

| | |
|---------------|------------------|
| Product Width | 6.75 mm[.266 in] |
|---------------|------------------|

| | |
|----------------|------------------|
| Product Length | 9.54 mm[.375 in] |
|----------------|------------------|

Usage Conditions

| | |
|-----------------------------|----------------------------|
| Operating Temperature Range | -30 – 105 °C[-22 – 221 °F] |
|-----------------------------|----------------------------|

Operation/Application

| | |
|--------------|----|
| Halogen Free | No |
|--------------|----|

| | |
|---------------------|--------|
| Circuit Application | Signal |
|---------------------|--------|

Identification Marking

| | |
|--------------------------------|---------|
| Circuit Identification Feature | Without |
|--------------------------------|---------|

Industry Standards

| | |
|-----------------|----|
| Agency/Standard | UL |
|-----------------|----|

| | |
|------------------------|----------|
| UL Flammability Rating | UL 94V-0 |
|------------------------|----------|

Packaging Features

| | |
|--------------------|-----|
| Packaging Quantity | 400 |
|--------------------|-----|

| | |
|------------------|---------|
| Packaging Method | Package |
|------------------|---------|

Product Compliance

[For compliance documentation, visit the product page on TE.com>](#)

| | |
|------------------------------|-----------|
| EU RoHS Directive 2011/65/EU | Compliant |
|------------------------------|-----------|

| | |
|-----------------------------|-----------|
| EU ELV Directive 2000/53/EC | Compliant |
|-----------------------------|-----------|

| | |
|---|---|
| China RoHS 2 Directive MIIT Order No 32, 2016 | No Restricted Materials Above Threshold |
|---|---|

| | |
|--|---|
| EU REACH Regulation (EC) No. 1907/2006 | Current ECHA Candidate List: JUNE 2023 (235) |
|--|---|



Candidate List Declared Against: JUNE 2023 (235)
Does not contain REACH SVHC

Halogen Content

Not Low Halogen - contains Br or Cl > 900 ppm.

Solder Process Capability

Not applicable for solder process capability

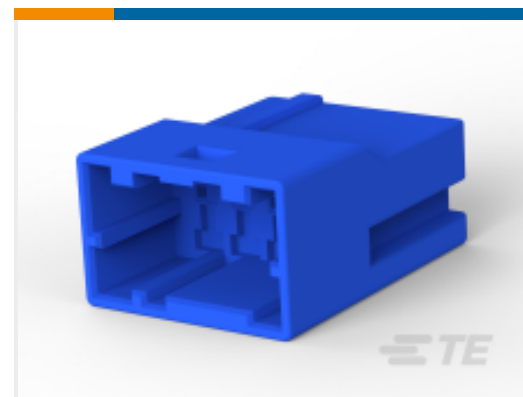
Product Compliance Disclaimer

This information is provided based on reasonable inquiry of our suppliers and represents our current actual knowledge based on the information they provided. This information is subject to change. The part numbers that TE has identified as EU RoHS compliant have a maximum concentration of 0.1% by weight in homogenous materials for lead, hexavalent chromium, mercury, PBB, PBDE, DBP, BBP, DEHP, DIBP, and 0.01% for cadmium, or qualify for an exemption to these limits as defined in the Annexes of Directive 2011/65/EU (RoHS2). Finished electrical and electronic equipment products will be CE marked as required by Directive 2011/65/EU. Components may not be CE marked. Additionally, the part numbers that TE has identified as EU ELV compliant have a maximum concentration of 0.1% by weight in homogenous materials for lead, hexavalent chromium, and mercury, and 0.01% for cadmium, or qualify for an exemption to these limits as defined in the Annexes of Directive 2000/53/EC (ELV). Regarding the REACH Regulation, the information TE provides on SVHC in articles for this part number is based on the latest European Chemicals Agency (ECHA) 'Guidance on requirements for substances in articles' posted at this URL: <https://echa.europa.eu/guidance-documents/guidance-on-reach>

Compatible Parts



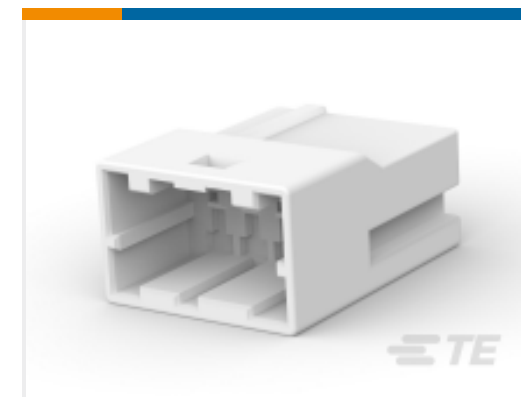
TE Part # CAT-G7534A-P729
STD Temp Sig GRACE INERTIA Plug



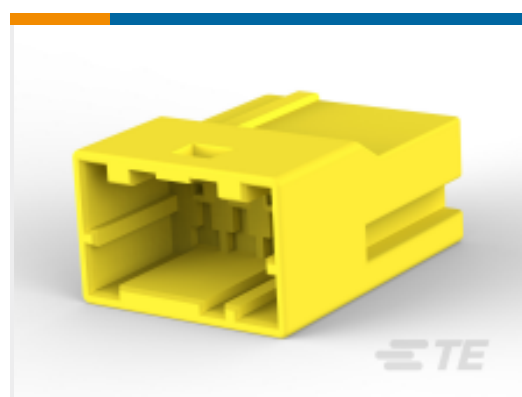
TE Part # 2-1903393-3
GIC 2.5 W CAP HSG 4P BLUE



TE Part # 1-1903393-2
GIC 2.5 W CAP HSG 4P RED



TE Part # 1903393-1
GIC 2.5 W CAP HSG 4P NATURAL

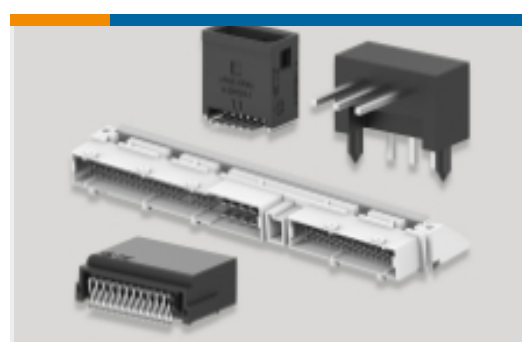


TE Part # 3-1903393-4
GIC 2.5 W CAP HSG 4P YELLOW



TE Part # 2367943-4
G12.0EV VT SMT Poting HDR,NTL,Key A,4P

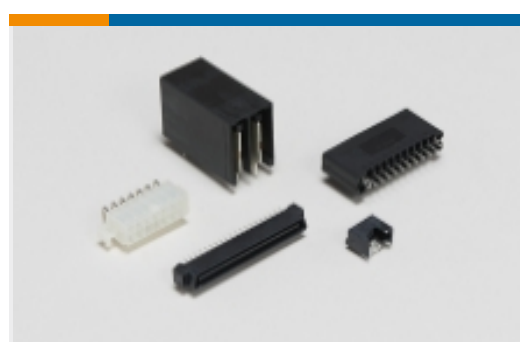
Also in the Series | **GRACE INERTIA 2.0**



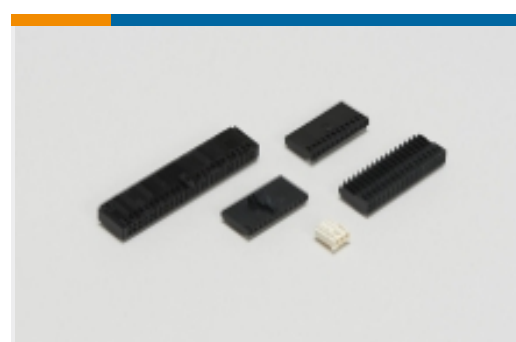
PCB Headers & Receptacles(70)



Rectangular Connector Housings(20)

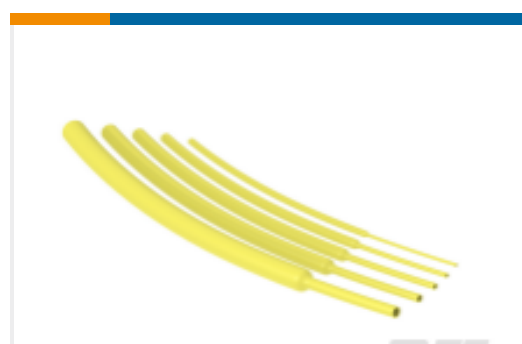
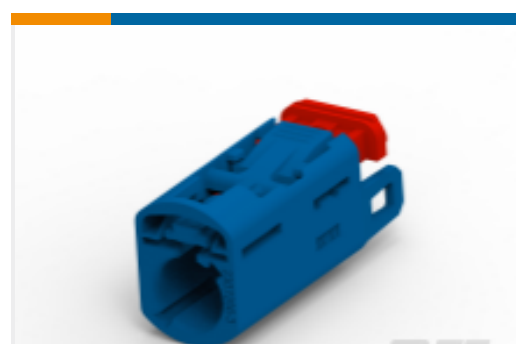


Standard Rectangular Connectors(18)

Wire-to-Board Connector Assemblies
& Housings(1)

Wire-to-Board Connector Contacts(3)

Customers Also Bought

TE Part #4-640427-1
11P MTA156 CONN ASSY 20AWG YELTE Part #9-1393222-1
V23061B1005A301=MINISTARKSTROMTE Part #1-1879214-9
CPF 0402 499R 0.1% 25PPM 1K RLTE Part #1437565-2
FSM100=12MM,TACTILE,PB SWITCHTE Part #NB42782001
RNF-100-3/16-4-STKTE Part #2-456134-2
CRIMPER, INSULATION "F"(,110")TE Part #1-174656-1
E-J MK-2 PLUG HSG 10P NATURALTE Part #2307383-3
1POS,FAKRA AUT,SOC HSG ASSY,
SLD,180 DEG

Documents

Product Drawings

4POS Plug housing for GIC 2.0 EV Series

English

CAD Files

3D PDF

3D

Customer View Model

ENG_CVM_CVM_1971030-4_F_c-1971030-4-f.2d_dxf.zip

1971030-4

Rectangular Connector Housings, Wire-to-Board, 4 Position, .079 in [2 mm]
Centerline, 1 Row, Nylon 66 GF, Plug, Socket, GRACE INERTIA 2.0



English

Customer View Model

[ENG_CVM_CVM_1971030-4_F_c-1971030-4-f.3d_igs.zip](#)

English

Customer View Model

[ENG_CVM_CVM_1971030-4_F_c-1971030-4-f.3d_stp.zip](#)

English

By downloading the CAD file I accept and agree to the [Terms and Conditions](#) of use.

Product Specifications

[Application Specification](#)

English