



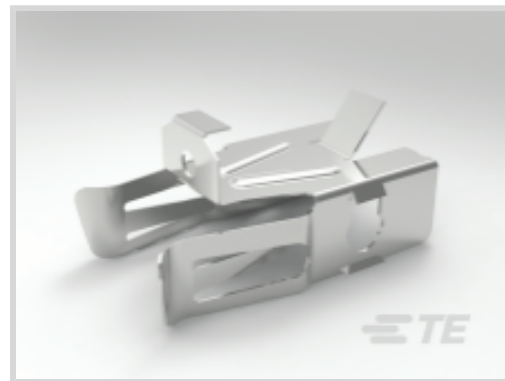
Appliance Connectors

TE Internal #: 1969755-1

Special Purpose Terminals, Unplated Plating, -40 – 356 °F [-40 – 200 °C], Appliance Connectors

[View on TE.com >](#)

Terminals & Splices > Special Purpose Terminals



Terminal Material Thickness: .51 mm [ .02 in ]

Terminal Plating Material: **Unplated**

Sealable: **No**

Operating Temperature Range: -40 – 200 °C [ -40 – 356 °F ]

**Features**

**Product Type Features**

Terminal Features	Heavy Duty
Sealable	No

**Contact Features**

Terminal Plating Material	Unplated
---------------------------	----------

**Dimensions**

Terminal Material Thickness	.51 mm [.02 in]
-----------------------------	-----------------

**Usage Conditions**

Insulation Option	Uninsulated
Operating Temperature Range	-40 – 200 °C [-40 – 356 °F]

**Product Compliance**

[For compliance documentation, visit the product page on TE.com>](#)

EU RoHS Directive 2011/65/EU	Compliant
EU ELV Directive 2000/53/EC	Compliant
China RoHS 2 Directive MIIT Order No 32, 2016	No Restricted Materials Above Threshold
EU REACH Regulation (EC) No. 1907/2006	Current ECHA Candidate List: JUNE 2023 (235) Candidate List Declared Against: JUNE 2023 (235) Does not contain REACH SVHC



Halogen Content	Low Halogen - Br, Cl, F, I < 900 ppm per homogenous material. Also BFR/CFR/PVC Free
Solder Process Capability	Not reviewed for solder process capability

Product Compliance Disclaimer

This information is provided based on reasonable inquiry of our suppliers and represents our current actual knowledge based on the information they provided. This information is subject to change. The part numbers that TE has identified as EU RoHS compliant have a maximum concentration of 0.1% by weight in homogenous materials for lead, hexavalent chromium, mercury, PBB, PBDE, DBP, BBP, DEHP, DIBP, and 0.01% for cadmium, or qualify for an exemption to these limits as defined in the Annexes of Directive 2011/65/EU (RoHS2). Finished electrical and electronic equipment products will be CE marked as required by Directive 2011/65/EU. Components may not be CE marked. Additionally, the part numbers that TE has identified as EU ELV compliant have a maximum concentration of 0.1% by weight in homogenous materials for lead, hexavalent chromium, and mercury, and 0.01% for cadmium, or qualify for an exemption to these limits as defined in the Annexes of Directive 2000/53/EC (ELV). Regarding the REACH Regulation, the information TE provides on SVHC in articles for this part number is based on the latest European Chemicals Agency (ECHA) 'Guidance on requirements for substances in articles' posted at this URL: <https://echa.europa.eu/guidance-documents/guidance-on-reach>

### Compatible Parts

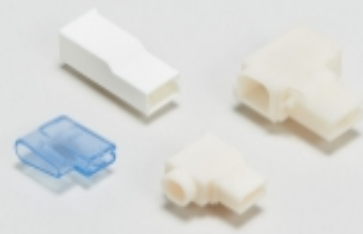


TE Part # 640748-7  
HEAVY DUTY BURNER REC 18-14  
AWG PHBRZ




TE Part # 1969726-1  
2P HEAVY DUTY BURNER HSG

### Also in the Series | Appliance Connectors



Crimp Terminal Housings(1)



Special Purpose Terminals(10)

### Customers Also Bought



TE Part #770090-1  
06P .093 COMM P&S PLUG HSG



TE Part #2-1123722-4  
3.96 EP PLUG HSG 4P(YELLOW)



TE Part #62591-1  
187 FASTON FLAG REC 20-16 AWG  
TPBR



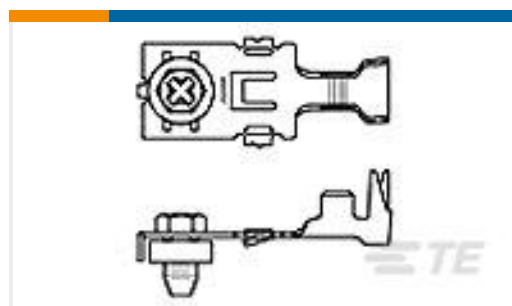
TE Part #1969725-1  
187 FAST&110 PL HSG., REC., 4 POS,  
BLACK



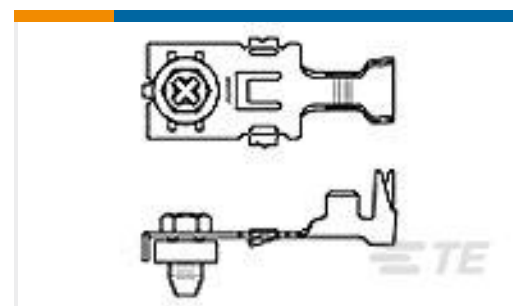
TE Part #521596-2  
ULTRA-POD 187 ASSY REC 22-18  
AWG TPBR



TE Part #1862006-5  
STD PW TIMER CONTACT



TE Part #521843-1  
POWER BLOCK ASSEMBLY 16-12  
AWG PTPBR



TE Part #521844-1  
POWER BLOCK ASSEMBLY 16-12  
AWG BR



TE Part #1544113-1  
CLIP DRAPEAU 6,35

## Documents

### Product Drawings

[CLIP, HEAVY DUTY BURNER CONNECTOR](#)

English

### CAD Files

[3D PDF](#)

3D

Customer View Model

[ENG\\_CVM\\_CVM\\_1969755-1\\_A.2d\\_dxf.zip](#)

English

Customer View Model

[ENG\\_CVM\\_CVM\\_1969755-1\\_A.3d\\_igs.zip](#)

English

Customer View Model

[ENG\\_CVM\\_CVM\\_1969755-1\\_A.3d\\_stp.zip](#)

English

By downloading the CAD file I accept and agree to the [Terms and Conditions](#) of use.

### Product Specifications



### Application Specification

English

---

### Product Environmental Compliance

#### TE Material Declaration

English