

1969656-1 ✓ ACTIVE

FASTON | FASTON 250

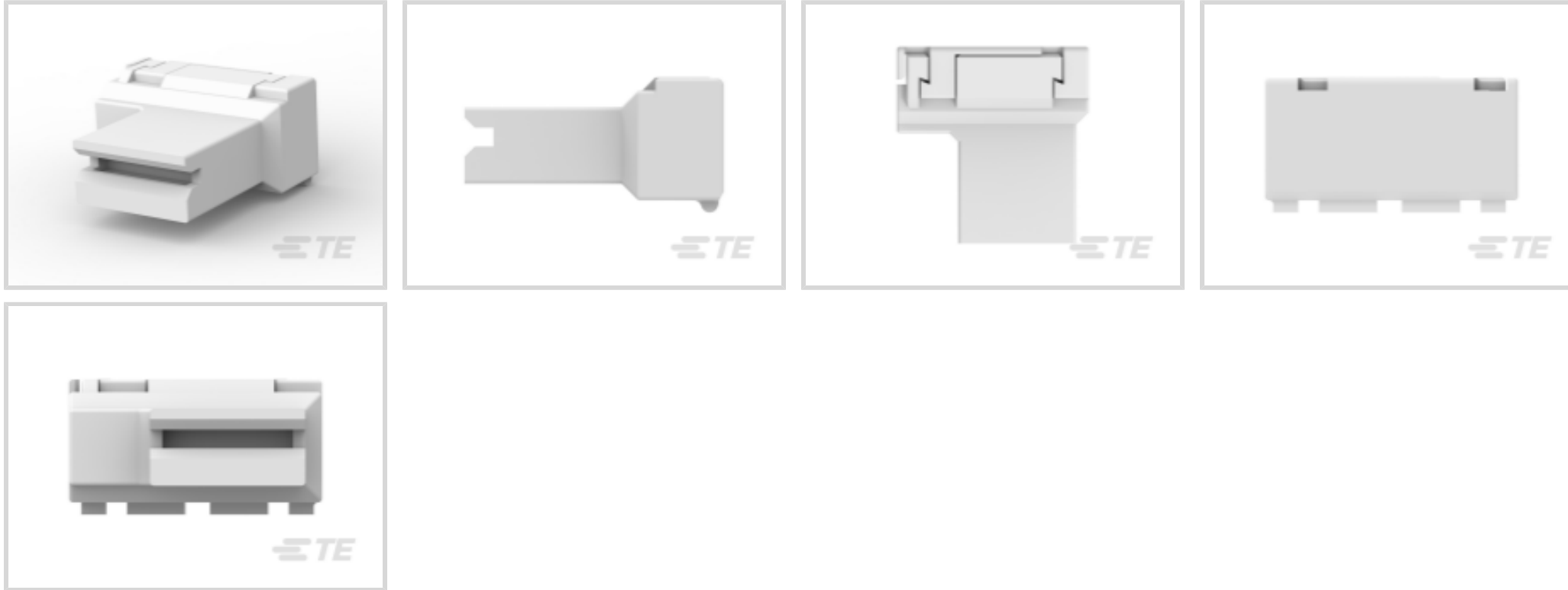
TE Internal #: 1969656-1

Crimp Terminal Housings, Receptacle, Receptacle, 1 Position, Flag,
UL 94V-0, Natural, Nylon, Contact Mating Retention, FASTON 250

[View on TE.com >](#)



Terminals & Splices > Terminal Housings, Insulation Sleeves & Blocks > Crimp Terminal Housings



Terminal Type: **Receptacle**

Connector & Housing Type: **Receptacle**

Number of Positions: **1**

Terminal Orientation: **Flag**

UL Flammability Rating: **UL 94V-0**

Features

Product Type Features

Sealable	No
Connector & Housing Type	Receptacle

Configuration Features

Number of Positions	1
---------------------	---

Body Features

Primary Product Color	Natural
-----------------------	---------

Contact Features

Terminal Type	Receptacle
Terminal Orientation	Flag
Contact Mating Retention	With

Mechanical Attachment

Mating Alignment Type	None
Mating Retention Type	Dimple
Mating Alignment	Without



Connector Mounting Type

Cable Mount (Free-Hanging)

Housing Features

Housing Material

Nylon

Usage Conditions

Operating Temperature Range

-40 – 150 °C[-40 – 302 °F]

Industry Standards

UL Flammability Rating

UL 94V-0

Packaging Features

Packaging Method

Carton

Product Compliance

For compliance documentation, visit the product page on [TE.com](#)>

EU RoHS Directive 2011/65/EU

Compliant

EU ELV Directive 2000/53/EC

Compliant

China RoHS 2 Directive MIIT Order No 32, 2016

No Restricted Materials Above Threshold

EU REACH Regulation (EC) No. 1907/2006

Current ECHA Candidate List: JUNE 2023 (235)
 Candidate List Declared Against: JUNE 2023 (235)
 Does not contain REACH SVHC

Halogen Content

Not Low Halogen - contains Br or Cl > 900 ppm.

Solder Process Capability

Not reviewed for solder process capability

Product Compliance Disclaimer

This information is provided based on reasonable inquiry of our suppliers and represents our current actual knowledge based on the information they provided. This information is subject to change. The part numbers that TE has identified as EU RoHS compliant have a maximum concentration of 0.1% by weight in homogenous materials for lead, hexavalent chromium, mercury, PBB, PBDE, DBP, BBP, DEHP, DIBP, and 0.01% for cadmium, or qualify for an exemption to these limits as defined in the Annexes of Directive 2011/65/EU (RoHS2). Finished electrical and electronic equipment products will be CE marked as required by Directive 2011/65/EU. Components may not be CE marked. Additionally, the part numbers that TE has identified as EU ELV compliant have a maximum concentration of 0.1% by weight in homogenous materials for lead, hexavalent chromium, and mercury, and 0.01% for cadmium, or qualify for an exemption to these limits as defined in the Annexes of Directive 2000/53/EC (ELV). Regarding the REACH Regulation, the information TE provides on SVHC in articles for this part number is based on the latest European Chemicals Agency (ECHA) 'Guidance on requirements for substances in articles' posted at this URL: <https://echa.europa.eu/guidance-documents/guidance-on-reach>

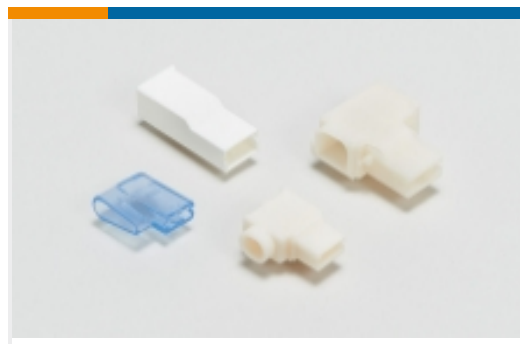
Compatible Parts



Also in the Series | **FASTON 250**



Compression Connectors(4)



Crimp Terminal Housings(142)



Insertion & Extraction Tools(6)



Magnet Wire Terminals(1)



PCB Terminals(135)



Quick Disconnects(445)



Splices(4)

Customers Also Bought



TE Part #41532
250 FASTON FLAG REC 18-12 AWG
TPBR



TE Part #1969877-1
187 HIGH TEMP POS LOCK HSG LCP



TE Part #1744544-8
EP II TPA 08P, BLACK



TE Part #1-1744544-0
EP II TPA 10P, BLACK



TE Part #1-176271-1
AMP UNIVERSAL POWER PLUG 2P



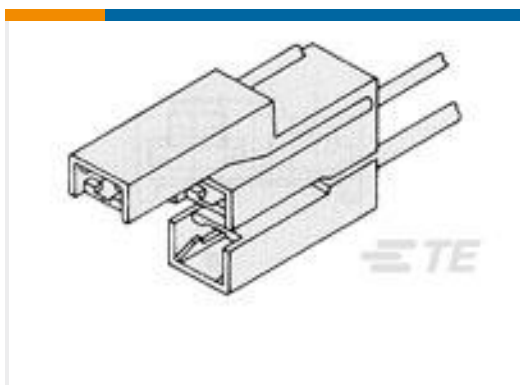
TE Part #1-2324579-6
HOUSING, PLUG, 16P, DUAL ROW,
EP2.5



TE Part #1-2324584-6
HSG,REC,PANEL MOUNT,DUALROW,
EP2.5



TE Part #1969899-1
250 FASTON HSG.,FLAG,REC.,2 POS,
BLACK



TE Part #360010-4
187 FASTON HSG.,REC.,3 POS,BLACK



TE Part #4-2349952-7
HSG,REC,PANEL MOUNT,EP2.5,Black,
7P

Documents



CAD Files

3D PDF

3D

Customer View Model

[ENG_CVM_CVM_1969656-1_B.2d_dxf.zip](#)

English

Customer View Model

[ENG_CVM_CVM_1969656-1_B.3d_igs.zip](#)

English

Customer View Model

[ENG_CVM_CVM_1969656-1_B.3d_stp.zip](#)

English

By downloading the CAD file I accept and agree to the [Terms and Conditions](#) of use.

Datasheets & Catalog Pages

[PB 30A PCB Relay T9G Series](#)

English

[Introductory Flyer - High Temperature FASTON Housings](#)

English

Product Environmental Compliance

[TE Material Declaration](#)

English