

1969609-5 ✓ ACTIVE



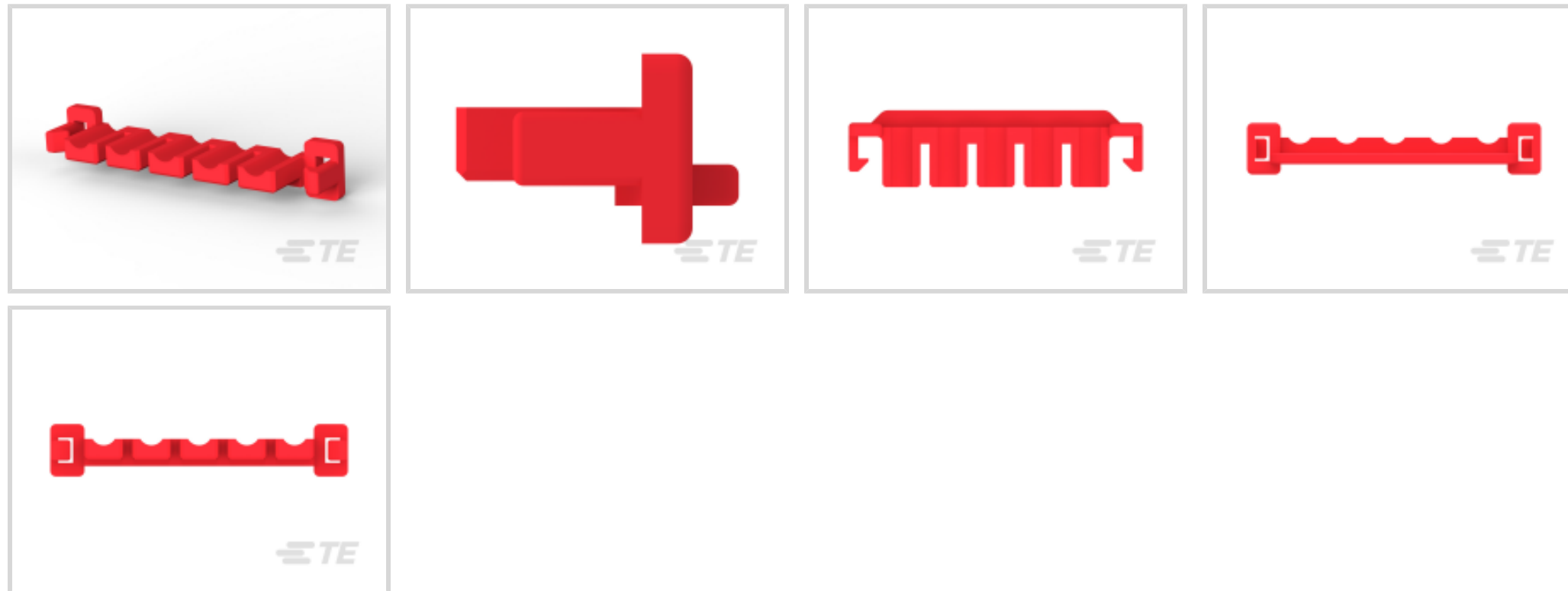
VAL-U-LOK

TE Internal #: 1969609-5

Rectangular Connector Locking, TPA (Terminal Position Assurance),
5 Position, UL 94V-0, -40 – 221 °F [-40 – 105 °C]

[View on TE.com >](#)

Connectors > Rectangular Connectors > Rectangular Connector Accessories > Rectangular Connector Locking



Connector & Contact Retention Accessory Type: **TPA (Terminal Position Assurance)**

Number of Positions: **5**

UL Flammability Rating: **UL 94V-0**

Operating Temperature Range: **-40 – 105 °C [-40 – 221 °F]**

Features

Product Type Features

Connector & Contact Retention Accessory Type	TPA (Terminal Position Assurance)
--	-----------------------------------

Configuration Features

Number of Positions	5
---------------------	---

Dimensions

Product Width	5.93 mm[.233 in]
---------------	------------------

Product Length	26.2 mm[1.03 in]
----------------	------------------

Product Height	4.35 mm[.171 in]
----------------	------------------

Usage Conditions

Operating Temperature Range	-40 – 105 °C[-40 – 221 °F]
-----------------------------	----------------------------

Industry Standards

Glow Wire Rating	Standard Part - Not Glow Wire
------------------	-------------------------------

UL Flammability Rating	UL 94V-0
------------------------	----------

Packaging Features

Packaging Quantity	10000
--------------------	-------

Packaging Method	Bag/Box
------------------	---------



Product Compliance

For compliance documentation, visit the product page on [TE.com](#)>

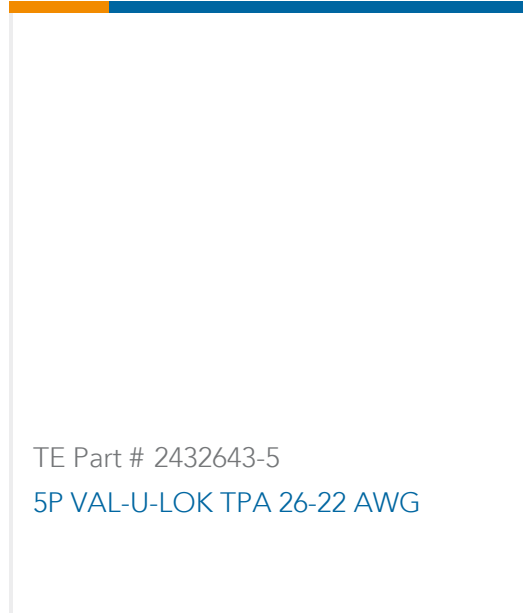
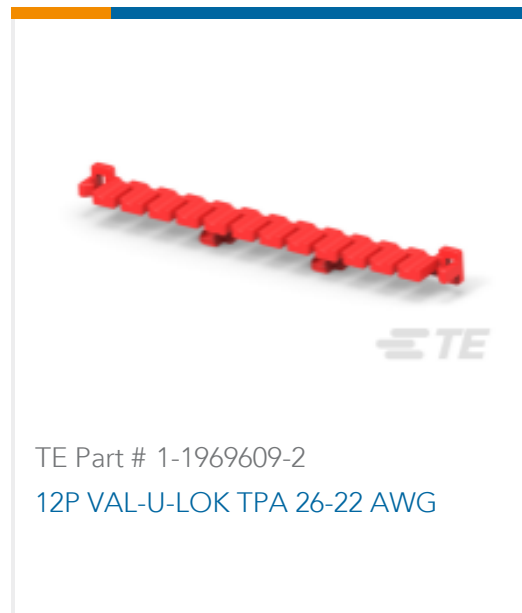
EU RoHS Directive 2011/65/EU	Compliant
EU ELV Directive 2000/53/EC	Compliant
China RoHS 2 Directive MIIT Order No 32, 2016	No Restricted Materials Above Threshold
EU REACH Regulation (EC) No. 1907/2006	Current ECHA Candidate List: JUNE 2023 (235) Candidate List Declared Against: JUNE 2023 (235) Does not contain REACH SVHC
Halogen Content	Low Halogen - Br, Cl, F, I < 900 ppm per homogenous material. Also BFR/CFR/PVC Free
Solder Process Capability	Not reviewed for solder process capability

Product Compliance Disclaimer

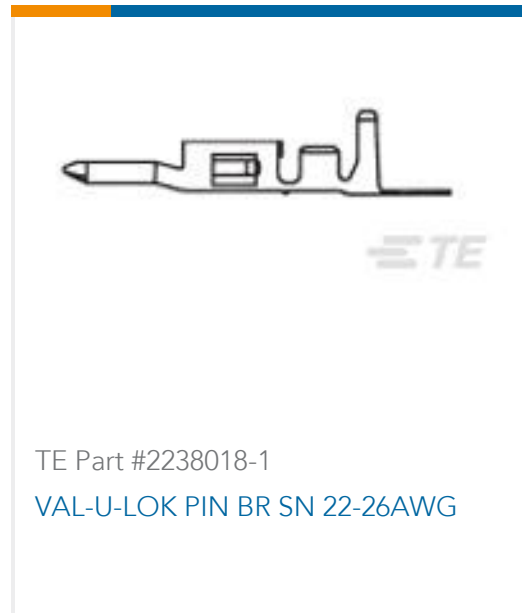
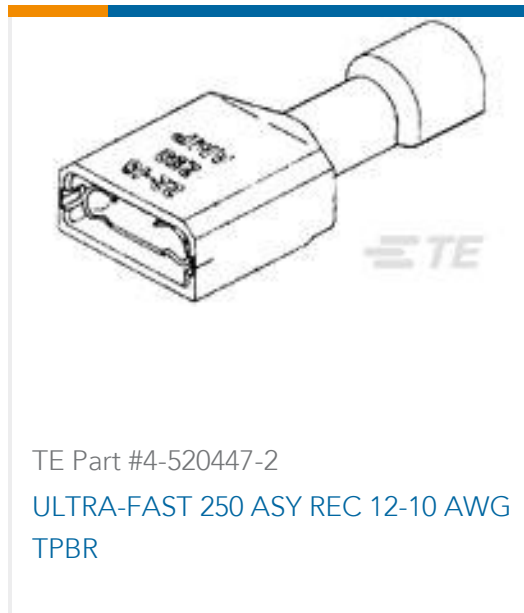
This information is provided based on reasonable inquiry of our suppliers and represents our current actual knowledge based on the information they provided. This information is subject to change. The part numbers that TE has identified as EU RoHS compliant have a maximum concentration of 0.1% by weight in homogenous materials for lead, hexavalent chromium, mercury, PBB, PBDE, DBP, BBP, DEHP, DIBP, and 0.01% for cadmium, or qualify for an exemption to these limits as defined in the Annexes of Directive 2011/65/EU (RoHS2). Finished electrical and electronic equipment products will be CE marked as required by Directive 2011/65/EU. Components may not be CE marked. Additionally, the part numbers that TE has identified as EU ELV compliant have a maximum concentration of 0.1% by weight in homogenous materials for lead, hexavalent chromium, and mercury, and 0.01% for cadmium, or qualify for an exemption to these limits as defined in the Annexes of Directive 2000/53/EC (ELV). Regarding the REACH Regulation, the information TE provides on SVHC in articles for this part number is based on the latest European Chemicals Agency (ECHA) 'Guidance on requirements for substances in articles' posted at this URL: <https://echa.europa.eu/guidance-documents/guidance-on-reach>

Compatible Parts

 <p>TE Part # 1969608-5 5P VAL-U-LOK TPA 22-18 AWG</p>	 <p>TE Part # 1969609-3 3P VAL-U-LOK TPA 26-22 AWG</p>	 <p>TE Part # 1969609-2 2P VAL-U-LOK TPA 26-22 AWG</p>	 <p>TE Part # 1-1969609-0 10P VAL-U-LOK TPA 26-22 AWG</p>
---	---	---	--



Customers Also Bought



Documents

Product Drawings

[5P VAL-U-LOK TPA 26-22 AWG](#)

English

CAD Files

[3D PDF](#)

[3D](#)

[Customer View Model](#)

[ENG_CVM_CVM_1969609-5_C1.2d_dxf.zip](#)



English

Customer View Model

[ENG_CVM_CVM_1969609-5_C1.3d_igs.zip](#)

English

Customer View Model

[ENG_CVM_CVM_1969609-5_C1.3d_stp.zip](#)

English

By downloading the CAD file I accept and agree to the [Terms and Conditions](#) of use.

Datasheets & Catalog Pages

[1-1773730-3 VAL-U-LOK Connectors with TPA Flyer](#)

English

Product Specifications

[Application Specification](#)

English