



Economy Power 2.5

TE Internal #: 1969443-4

PCB Latches, Locks & Retainers, TPA (Terminal Position Assurance),  
4 Position, .098 in [2.5 mm] Centerline, 1 Row, Economy Power 2.5

[View on TE.com >](#)

Connectors > PCB Connectors > PCB Connector Accessories > PCB Connector Hardware > PCB Latches, Locks & Retainers



Connector & Contact Retention Accessory Type: **TPA (Terminal Position Assurance)**

Number of Positions: **4**

Centerline (Pitch): **2.5 mm [ .098 in ]**

Number of Rows: **1**

Operating Temperature Range: **-55 – 105 °C [ -67 – 221 °F ]**

**Features**

**Product Type Features**

Connector & Contact Retention Accessory Type	TPA (Terminal Position Assurance)
--	-----------------------------------

**Configuration Features**

Number of Positions	4
Number of Rows	1

**Body Features**

Primary Product Material	Nylon GF
Primary Product Color	Black

**Housing Features**

Centerline (Pitch)	2.5 mm[.098 in]
--------------------	-----------------

**Dimensions**

Product Length	9.4 mm[.37 in]
Product Height	2.51 mm[.099 in]

**Usage Conditions**

Operating Temperature Range	-55 – 105 °C[-67 – 221 °F]
-----------------------------	----------------------------



### Industry Standards

Glow Wire Rating	Standard Part - Not Glow Wire
------------------	-------------------------------

### Packaging Features

Packaging Quantity	1000
--------------------	------

Packaging Method	Bag
------------------	-----

### Product Compliance

[For compliance documentation, visit the product page on TE.com>](#)

EU RoHS Directive 2011/65/EU	Compliant
------------------------------	-----------

EU ELV Directive 2000/53/EC	Compliant
-----------------------------	-----------

China RoHS 2 Directive MIIT Order No 32, 2016	No Restricted Materials Above Threshold
---	---

EU REACH Regulation (EC) No. 1907/2006	Current ECHA Candidate List: JUNE 2023 (235) Candidate List Declared Against: JUNE 2023 (235) Does not contain REACH SVHC
--	---

Halogen Content	Not Low Halogen - contains Br or Cl > 900 ppm.
-----------------	--

Solder Process Capability	Not applicable for solder process capability
---------------------------	--

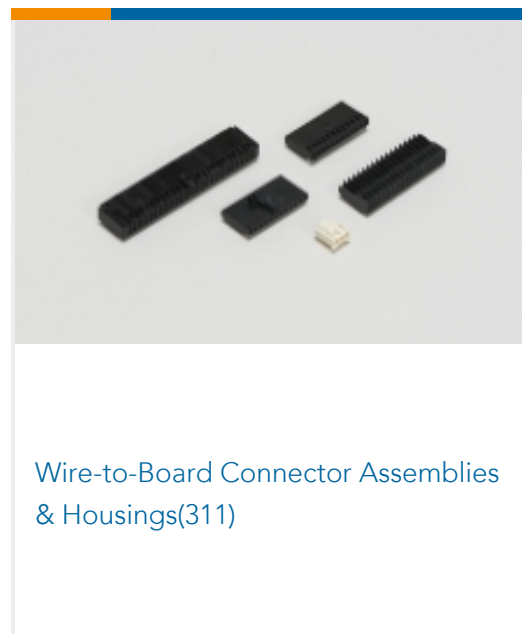
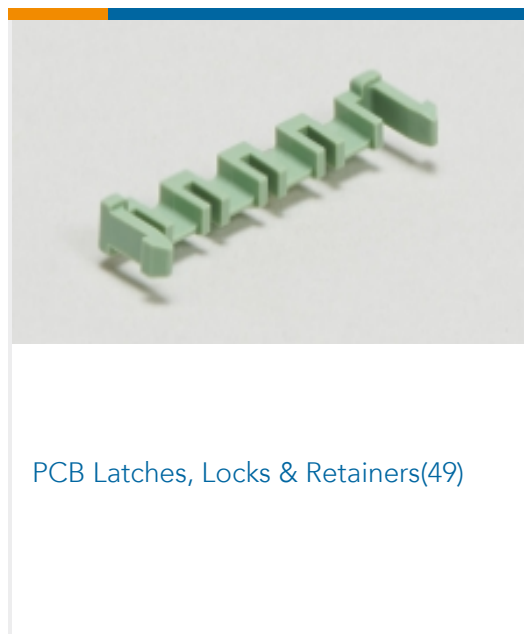
#### Product Compliance Disclaimer

This information is provided based on reasonable inquiry of our suppliers and represents our current actual knowledge based on the information they provided. This information is subject to change. The part numbers that TE has identified as EU RoHS compliant have a maximum concentration of 0.1% by weight in homogenous materials for lead, hexavalent chromium, mercury, PBB, PBDE, DBP, BBP, DEHP, DIBP, and 0.01% for cadmium, or qualify for an exemption to these limits as defined in the Annexes of Directive 2011/65/EU (RoHS2). Finished electrical and electronic equipment products will be CE marked as required by Directive 2011/65/EU. Components may not be CE marked. Additionally, the part numbers that TE has identified as EU ELV compliant have a maximum concentration of 0.1% by weight in homogenous materials for lead, hexavalent chromium, and mercury, and 0.01% for cadmium, or qualify for an exemption to these limits as defined in the Annexes of Directive 2000/53/EC (ELV). Regarding the REACH Regulation, the information TE provides on SVHC in articles for this part number is based on the latest European Chemicals Agency (ECHA) 'Guidance on requirements for substances in articles' posted at this URL: <https://echa.europa.eu/guidance-documents/guidance-on-reach>

### Compatible Parts



Also in the Series | Economy Power 2.5





Wire-to-Board Connector Contacts(6)

## Customers Also Bought



TE Part #5-1971773-3  
PTL 1X3 PLUG HSG HIGH TEMP KEY A LGR



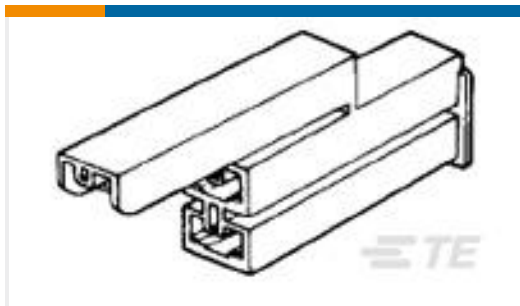
TE Part #1-1969442-1  
EP 2.5 TPA Housing, 11 Pos



TE Part #1969442-3  
EP 2.5 TPA Housing, 3 Pos



TE Part #1969632-1  
250 FASTON HSG., REC., 1 POS, BLACK



TE Part #1-172075-1  
3 POS PL 187(4.8 MM) HOUSING NATURAL



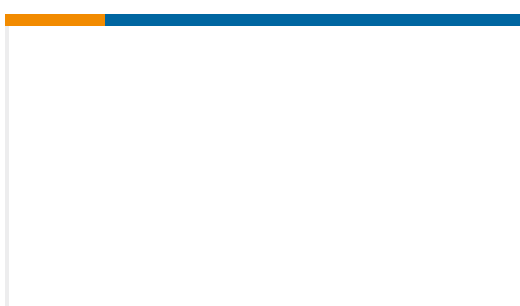
TE Part #63604-1  
250 FASTON FLAG REC 18-12 AWG NPST



TE Part #2110989-1  
EP 2.5 RCPT CONTACT, 26-22 AWG



TE Part #1-2333134-0  
DYNAMIC 1100D REC HSG X 40P BLACK 33%GF



TE Part #2331088-2  
250 PL MII HSG. REC. 13MM2P BLACK

## Documents

### CAD Files

[3D PDF](#)

[3D](#)

### Customer View Model

[ENG\\_CVM\\_CVM\\_1969443-4\\_B.2d\\_dxf.zip](#)

English

### Customer View Model

[ENG\\_CVM\\_CVM\\_1969443-4\\_B.3d\\_igs.zip](#)



English

**Customer View Model**

[ENG\\_CVM\\_CVM\\_1969443-4\\_B.3d\\_stp.zip](#)

English

By downloading the CAD file I accept and agree to the [Terms and Conditions](#) of use.

---

**Datasheets & Catalog Pages**

[7-1773461-6\\_EP2.5\\_Connector\\_Series](#)

English

---

**Product Specifications**

[Application Specification](#)

English

---

**Product Environmental Compliance**

[Product Compliance Document](#)

English

[Product Compliance Document](#)

English

---

**Instruction Sheets**

[Instruction Sheet \(U.S.\)](#)

English