

1954646-1 ✓ ACTIVE



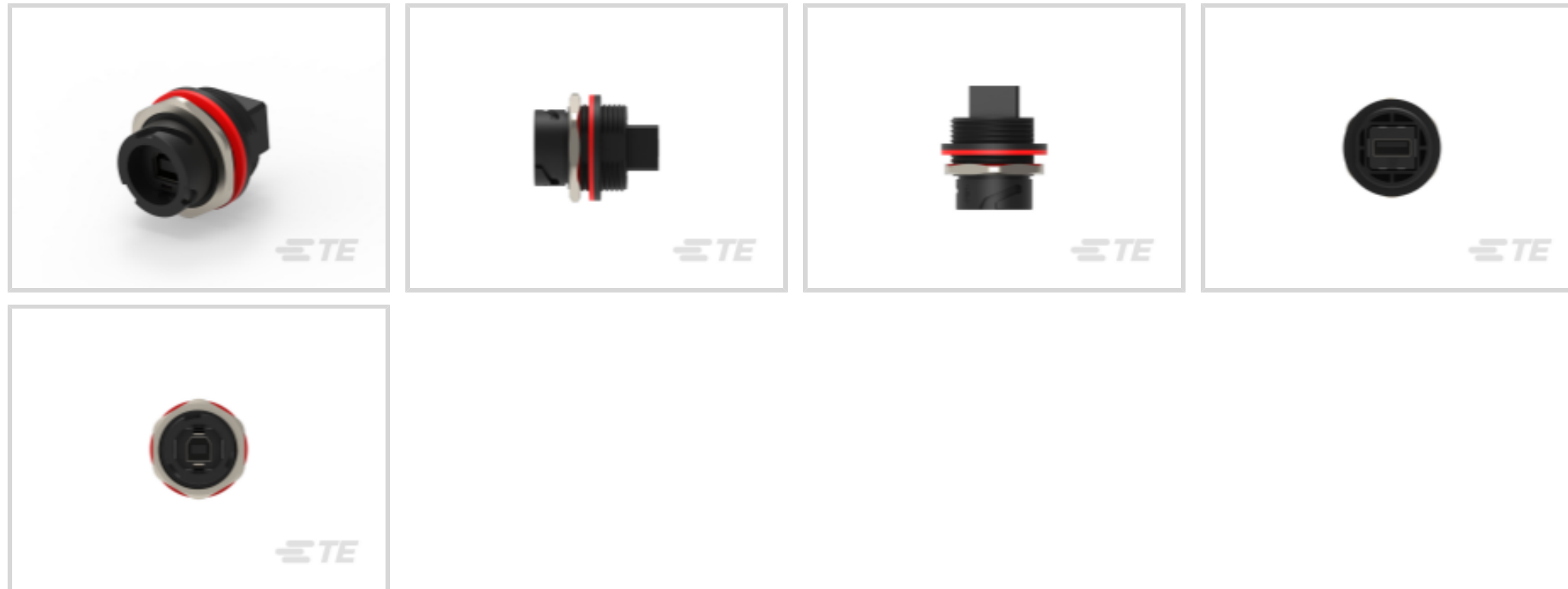
## Industrial USB IP67

TE Internal #: 1954646-1

USB Connectors, A, 2.0, Standard Profile, Receptacle, 1 Port, Cable Mount, Straight, Package, IP67, Wire-to-Wire, 4 Position, Industrial USB IP67

[View on TE.com >](#)

Connectors > Audio & Video Connectors > USB Connectors



USB Adapter Type: **A**

USB Version: **2.0**

Connector Profile: **Standard**

Connector & Housing Type: **Receptacle**

Number of Ports: **1**

### Features

#### Product Type Features

USB Adapter Type	A
USB Version	2.0
Connector & Housing Type	Receptacle
Connector System	Wire-to-Wire
Sealable	Yes
Connector & Contact Terminates To	Wire & Cable
USB Connector Type	USB 2.0 Type-A

#### Configuration Features

Number of Ports	1
Number of Positions	4

#### Body Features

Shell Plating Material	Tin over Nickel
Connector Profile	Standard

#### Contact Features



Contact Mating Area Plating Material Thickness	.76 µm[29.92 µin]
--	-------------------

Contact Mating Area Plating Material	Gold
--------------------------------------	------

Contact Current Rating (Max)	1.5 A
------------------------------	-------

### Mechanical Attachment

Locking Feature	With
-----------------	------

PCB Mount Location	Cable Mount
--------------------	-------------

PCB Mount Retention Type	None
--------------------------	------

Connector Mounting Type	Cable Mount (Free-Hanging)
-------------------------	----------------------------

### Housing Features

Housing Material	Polyester
------------------	-----------

Housing Color	Black
---------------	-------

Body Orientation	Straight
------------------	----------

### Usage Conditions

Soldering Temperature (Max)	350 °C[662 °F]
-----------------------------	----------------

Operating Temperature Range	-55 – 85 °C[-67 – 185 °F]
-----------------------------	---------------------------

### Operation/Application

Assembly Process Feature	None
--------------------------	------

Circuit Application	Power, Signal & High Speed Data
---------------------	---------------------------------

### Industry Standards

Industry Standard	USB 2.0
-------------------	---------

IP Rating	IP67
-----------	------

### Packaging Features

Packaging Quantity	1
--------------------	---

Packaging Method	Package
------------------	---------

### Other

Audio & Video Connector Comment	Circular Coupling, Panel Mount, Sealed
---------------------------------	--

### Product Compliance

[For compliance documentation, visit the product page on TE.com>](#)

EU RoHS Directive 2011/65/EU	Compliant
------------------------------	-----------

EU ELV Directive 2000/53/EC	Compliant
-----------------------------	-----------



China RoHS 2 Directive MIIT Order No 32, 2016	No Restricted Materials Above Threshold
EU REACH Regulation (EC) No. 1907/2006	Current ECHA Candidate List: JUNE 2023 (235) Candidate List Declared Against: JUNE 2022 (224) Does not contain REACH SVHC
Halogen Content	Low Halogen - Br, Cl, F, I < 900 ppm per homogenous material. Also BFR/CFR/PVC Free
Solder Process Capability	Not applicable for solder process capability

Product Compliance Disclaimer

This information is provided based on reasonable inquiry of our suppliers and represents our current actual knowledge based on the information they provided. This information is subject to change. The part numbers that TE has identified as EU RoHS compliant have a maximum concentration of 0.1% by weight in homogenous materials for lead, hexavalent chromium, mercury, PBB, PBDE, DBP, BBP, DEHP, DIBP, and 0.01% for cadmium, or qualify for an exemption to these limits as defined in the Annexes of Directive 2011/65/EU (RoHS2). Finished electrical and electronic equipment products will be CE marked as required by Directive 2011/65/EU. Components may not be CE marked. Additionally, the part numbers that TE has identified as EU ELV compliant have a maximum concentration of 0.1% by weight in homogenous materials for lead, hexavalent chromium, and mercury, and 0.01% for cadmium, or qualify for an exemption to these limits as defined in the Annexes of Directive 2000/53/EC (ELV). Regarding the REACH Regulation, the information TE provides on SVHC in articles for this part number is based on the latest European Chemicals Agency (ECHA) 'Guidance on requirements for substances in articles' posted at this URL: <https://echa.europa.eu/guidance-documents/guidance-on-reach>

### Compatible Parts



### Also in the Series | Industrial USB IP67



### Customers Also Bought



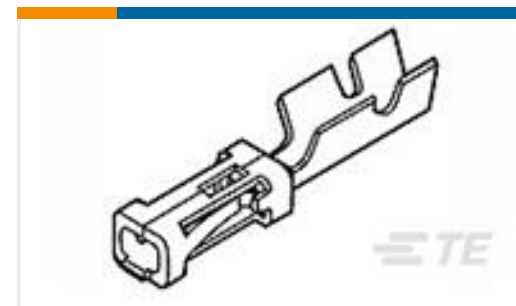
TE Part #321045  
TERMINAL,PIDG R 16-14 1/4



TE Part #WM-2S  
WEDGE LOCK, 2P, PLG, ORG, DTM



TE Part #1011-310-0205  
CLIP, PA66, BLK, FIR-TREE, ST



TE Part #1-87309-4  
MOD V RECP LP



TE Part #9-1423364-6  
W57-XB1A7A10-5=CKTBKR,THERM,  
PB,SCW/QC



TE Part #K1021410  
Relay 29-211-12



TE Part #K1133909  
Bi-Relay 30-513-12



TE Part #K1138460  
Batt. Disconnecter 35-514-231-R-A5-  
901



TE Part #K1156392  
Battery Disconnecter 35-524-231-R-A-  
906



TE Part #794227-3  
MINI UMNL2 SOK 26-22 AWG AU LP

## Documents

### Product Drawings

[Recpt Kit, Series B to A](#)

English

### CAD Files

[3D PDF](#)

3D

Customer View Model

[ENG\\_CVM\\_CVM\\_1954646-1\\_A\\_c-1954646-1-a.2d\\_dxf.zip](#)

English

Customer View Model

[ENG\\_CVM\\_CVM\\_1954646-1\\_A\\_c-1954646-1-a.3d\\_igs.zip](#)

English

Customer View Model

[ENG\\_CVM\\_CVM\\_1954646-1\\_A\\_c-1954646-1-a.3d\\_stp.zip](#)

English

By downloading the CAD file I accept and agree to the [Terms and Conditions](#) of use.

### Datasheets & Catalog Pages



[M8 / M12 Connector System Catalog](#)

English

[M8 / M12 Connector System Catalog](#)

Japanese

---

[Product Specifications](#)

[Application Specification](#)

English

---

[Instruction Sheets](#)

[Instruction Sheet \(U.S.\)](#)

English