



AMP | AMP Type II

TE Internal #: 193846-1

Power Contacts, Contact, Gold, 14 AWG Wire Size, 2 mm² Wire Size, Wire & Cable, Crimp, Power, Socket, -55 – 150 °C [-67 – 302 ° F], AMP Type II

[View on TE.com >](#)

Connectors > Power Connectors > Power Contacts



Power Contact Type: **Contact**

Contact Mating Area Plating Material: **Gold**

Wire Size: **2 mm²**

Sealable: **No**

Features

Product Type Features

Power Contact Type	Contact
Sealable	No
Connector & Contact Terminates To	Wire & Cable

Contact Features

Contact Size	Size 16
Contact Mating Area Plating Material	Gold
Contact Current Rating (Max)	23 A
Contact Type	Socket
Contact Retention Within Housing	With
Mating Pin Diameter	1.57 mm[.062 in]
Contact Base Material	Copper Alloy
Contact Mating Area Plating Material Thickness	.25 µm[10 µin]
Contact Mating Area Plating Material Finish	Bright
Wire Contact Termination Area Plating Thickness	5.08 µm[200 µin]
Wire Contact Termination Area Plating Material	Silver

Wire Contact Termination Area Plating Material Finish	Semi-Bright
Contact Orientation	Straight
Contact Underplating Material	Nickel
Contact Underplating Material Thickness	1.02 μm[40 μin]

Termination Features

Termination Method to Wire & Cable	Crimp
------------------------------------	-------

Mechanical Attachment

Wire Insulation Support	Without
-------------------------	---------

Dimensions

Wire Size	2 mm ²
-----------	-------------------

Usage Conditions

Operating Temperature Range	-55 – 150 °C[-67 – 302 °F]
-----------------------------	----------------------------

Operation/Application

Circuit Application	Power
---------------------	-------

Industry Standards

Agency/Standard	UL
-----------------	----

Packaging Features

Packaging Quantity	100
Packaging Method	Bag

Other

Power Connectors Comment	Mates with Part Number 193844-1.
--------------------------	----------------------------------

Product Compliance

[For compliance documentation, visit the product page on TE.com>](#)

EU RoHS Directive 2011/65/EU	Compliant
EU ELV Directive 2000/53/EC	Compliant
China RoHS 2 Directive MIIT Order No 32, 2016	No Restricted Materials Above Threshold
EU REACH Regulation (EC) No. 1907/2006	Current ECHA Candidate List: JUNE 2023 (235) Candidate List Declared Against: JUNE 2023 (235) Does not contain REACH SVHC
Halogen Content	Low Halogen - Br, Cl, F, I < 900 ppm per

homogenous material. Also BFR/CFR/PVC Free


Solder Process Capability

Not applicable for solder process capability

Product Compliance Disclaimer

This information is provided based on reasonable inquiry of our suppliers and represents our current actual knowledge based on the information they provided. This information is subject to change. The part numbers that TE has identified as EU RoHS compliant have a maximum concentration of 0.1% by weight in homogenous materials for lead, hexavalent chromium, mercury, PBB, PBDE, DBP, BBP, DEHP, DIBP, and 0.01% for cadmium, or qualify for an exemption to these limits as defined in the Annexes of Directive 2011/65/EU (RoHS2). Finished electrical and electronic equipment products will be CE marked as required by Directive 2011/65/EU. Components may not be CE marked. Additionally, the part numbers that TE has identified as EU ELV compliant have a maximum concentration of 0.1% by weight in homogenous materials for lead, hexavalent chromium, and mercury, and 0.01% for cadmium, or qualify for an exemption to these limits as defined in the Annexes of Directive 2000/53/EC (ELV). Regarding the REACH Regulation, the information TE provides on SVHC in articles for this part number is based on the latest European Chemicals Agency (ECHA) 'Guidance on requirements for substances in articles' posted at this URL: <https://echa.europa.eu/guidance-documents/guidance-on-reach>

Compatible Parts



TE Part # CAT-AM71-C83998C
Circular Plastic Connector, CMC Series 1



TE Part # CAT-AM71-C83998Y
One-Piece Connector, Sealed, CPC Series 1



TE Part # CAT-AM71-C83998J
Cable/Panel Mount Connector, CPC Series 1



TE Part # CAT-AM71-C83998K
Circular Connector, Environmentally Sealed, CPC Series 6



TE Part # 200893-2
INSERTION TOOL CONT



TE Part # 539972-1
EXTRACTION TOOL



TE Part # 305183
EXTRACT TOOL TYPE 2 20-16



TE Part # 601967-1
CRIMPING TOOL M22520/1-01



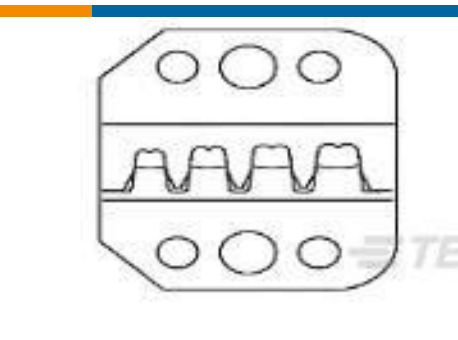
TE Part # 1-305183-1
EXTRACT TOOL MATE-N-LOK P



TE Part # 58541-1
PRO-CRIMPER HAND TOOL & DIE



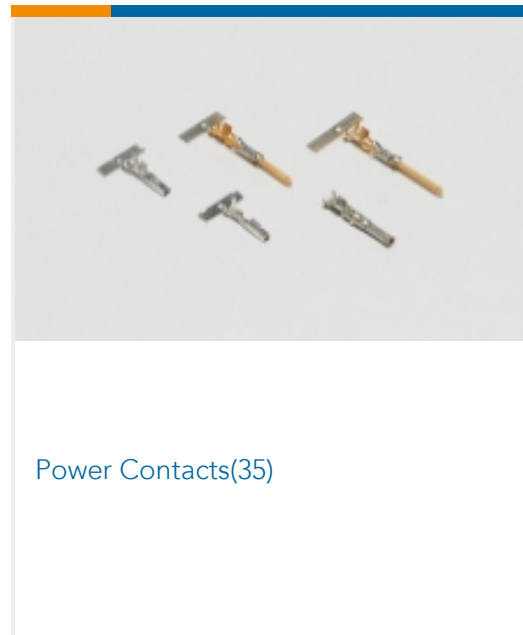
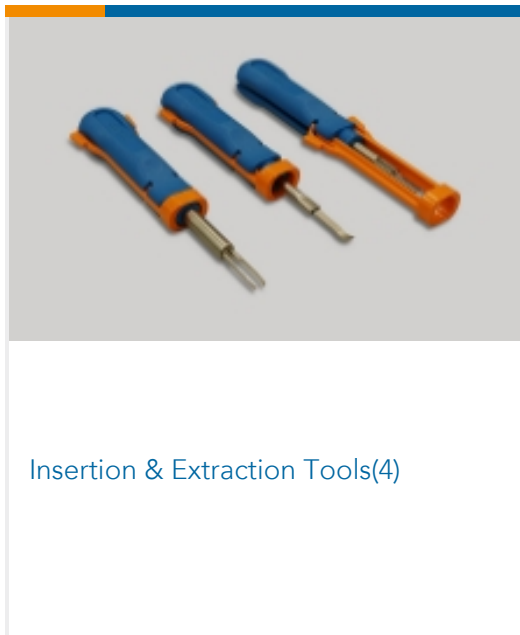
TE Part # 91539-1
CCII TYPE II SKT 22-14 2x18 ASSY



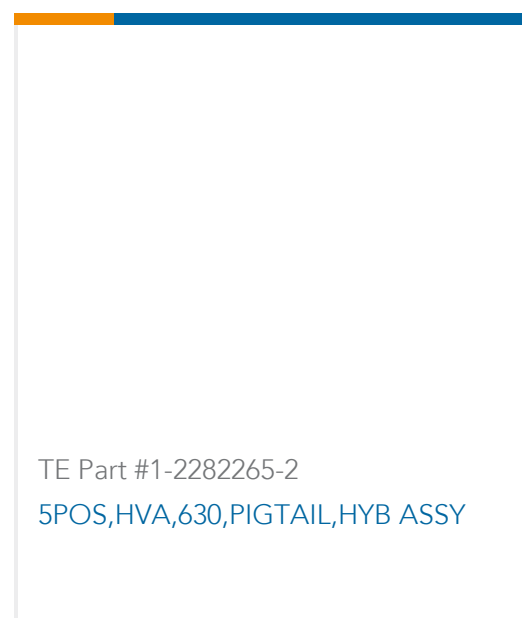
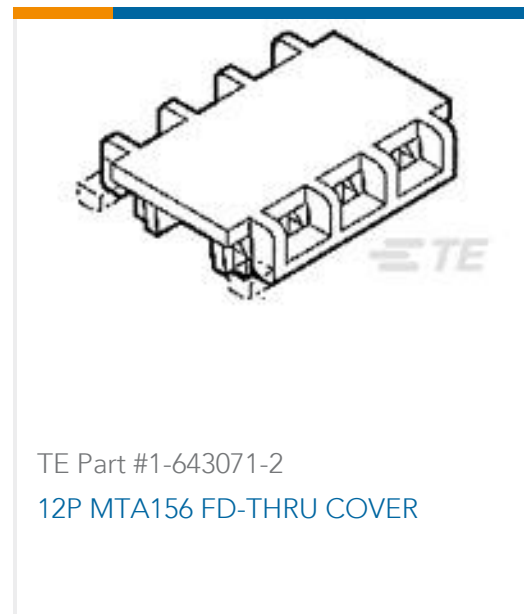
TE Part # 58541-2
PRO-CRIMPER HAND TOOL DIE



Also in the Series | AMP Type II



Customers Also Bought



Documents

Product Drawings

SKT ASSY.

English

CAD Files

3D PDF

3D

**Customer View Model**[ENG_CVM_CVM_193846-1_F.2d_dxf.zip](#)

English

Customer View Model[ENG_CVM_CVM_193846-1_F.3d_igs.zip](#)

English

Customer View Model[ENG_CVM_CVM_193846-1_F.3d_stp.zip](#)

English

Customer View Model[ENG_CVM_193846-1_C.3d_igs.zip](#)

English

Customer View Model[ENG_CVM_193846-1_C.3d_stp.zip](#)

English

Customer View Model[ENG_CVM_193846-1_C.2d_dxf.zip](#)

English

3D PDF

English

By downloading the CAD file I accept and agree to the [Terms and Conditions](#) of use.

Datasheets & Catalog Pages[AMP Circular Connectors for Commercial Signal & Power Applications](#)

English

Power Contacts

English

[M_SERIES_PIN_AND_SOCKET_CONNECTORS](#)

English

Product Environmental Compliance[TE Material Declaration](#)

English

Agency Approvals[Agency Approval Document](#)

English