

193844-1 ✓ ACTIVE

AMP | AMP Type II

TE Internal #: 193844-1

Power Contacts, Contact, Silver, 14 AWG Wire Size, 2 mm² Wire Size, Wire & Cable, Crimp, Power, Pin, -55 – 150 °C [-67 – 302 °F],

AMP Type II

[View on TE.com >](#)



Connectors > Power Connectors > Power Contacts > Strip Pin and Socket Contacts, Type III, LP



Power Contact Type: **Contact**

Contact Mating Area Plating Material: **Silver**

Wire Size: **2 mm²**

Sealable: **No**

[All Strip Pin and Socket Contacts, Type III, LP \(6\)](#)

Features

Product Type Features

Power Contact Type	Contact
Sealable	No
Connector & Contact Terminates To	Wire & Cable

Contact Features

Contact Size	Size 16
Contact Mating Area Plating Material	Silver
Contact Current Rating (Max)	23 A
Contact Type	Pin
Contact Retention Within Housing	With
Mating Pin Diameter	1.57 mm[.062 in]
Contact Base Material	Copper Alloy
Contact Mating Area Plating Material Thickness	5.08 μm[200 μin]
Contact Mating Area Plating Material Finish	Semi-Bright

Wire Contact Termination Area Plating Thickness	5.08 μm[200 μin]
Wire Contact Termination Area Plating Material	Silver
Wire Contact Termination Area Plating Material Finish	Semi-Bright
Contact Orientation	Straight
Contact Underplating Material	Nickel
Contact Underplating Material Thickness	1.27 μm[50 μin]

Termination Features

Termination Method to Wire & Cable	Crimp
------------------------------------	-------

Mechanical Attachment

Wire Insulation Support	Without
-------------------------	---------

Dimensions

Wire Size	2 mm ²
-----------	-------------------

Usage Conditions

Operating Temperature Range	-55 – 150 °C[-67 – 302 °F]
-----------------------------	----------------------------

Operation/Application

Circuit Application	Power
---------------------	-------

Industry Standards

Agency/Standard	UL
-----------------	----

Packaging Features

Packaging Quantity	100
Packaging Method	Bag

Other

Power Connectors Comment	Mates with Socket Part Number 193846-2 (Tape Mounted) and 193846-1 (Loose Piece).
--------------------------	---

Product Compliance

[For compliance documentation, visit the product page on TE.com>](#)

EU RoHS Directive 2011/65/EU	Compliant with Exemptions
EU ELV Directive 2000/53/EC	Compliant with Exemptions
China RoHS 2 Directive MIIT Order No 32, 2016	Restricted Materials Above Threshold
EU REACH Regulation (EC) No. 1907/2006	Current ECHA Candidate List: JUNE 2023 (235)

Candidate List Declared Against: JUNE 2023 (235)
 SVHC > Threshold:
 Pb (3.7% in Component Part)

Article Safe Usage Statements:

Do not eat, drink or smoke when using this product. Wash thoroughly after handling. Recycle if possible and dispose of the article by following all applicable governmental regulations relevant to your geographic location.

Halogen Content

Low Halogen - Br, Cl, F, I < 900 ppm per homogenous material. Also BFR/CFR/PVC Free


Solder Process Capability

Not applicable for solder process capability

Product Compliance Disclaimer

This information is provided based on reasonable inquiry of our suppliers and represents our current actual knowledge based on the information they provided. This information is subject to change. The part numbers that TE has identified as EU RoHS compliant have a maximum concentration of 0.1% by weight in homogenous materials for lead, hexavalent chromium, mercury, PBB, PBDE, DBP, BBP, DEHP, DIBP, and 0.01% for cadmium, or qualify for an exemption to these limits as defined in the Annexes of Directive 2011/65/EU (RoHS2). Finished electrical and electronic equipment products will be CE marked as required by Directive 2011/65/EU. Components may not be CE marked. Additionally, the part numbers that TE has identified as EU ELV compliant have a maximum concentration of 0.1% by weight in homogenous materials for lead, hexavalent chromium, and mercury, and 0.01% for cadmium, or qualify for an exemption to these limits as defined in the Annexes of Directive 2000/53/EC (ELV). Regarding the REACH Regulation, the information TE provides on SVHC in articles for this part number is based on the latest European Chemicals Agency (ECHA) 'Guidance on requirements for substances in articles' posted at this URL: <https://echa.europa.eu/guidance-documents/guidance-on-reach>

Compatible Parts



TE Part # CAT-AM71-C83998C
 Circular Plastic Connector, CMC Series 1



TE Part # CAT-AM71-C83998Y
 One-Piece Connector, Sealed, CPC Series 1



TE Part # CAT-AM71-C83998J
 Cable/Panel Mount Connector, CPC Series 1



TE Part # CAT-AM71-C83998K
 Circular Connector, Environmentally Sealed, CPC Series 6



TE Part # 200893-2
 INSERTION TOOL CONT



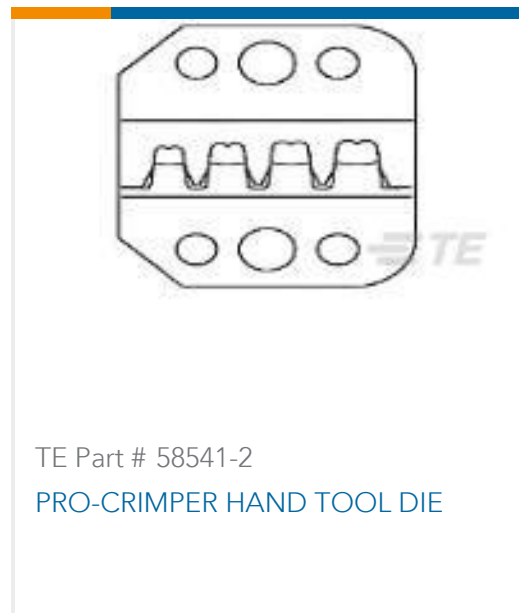
TE Part # 305183
 EXTRACT TOOL TYPE 2 20-16



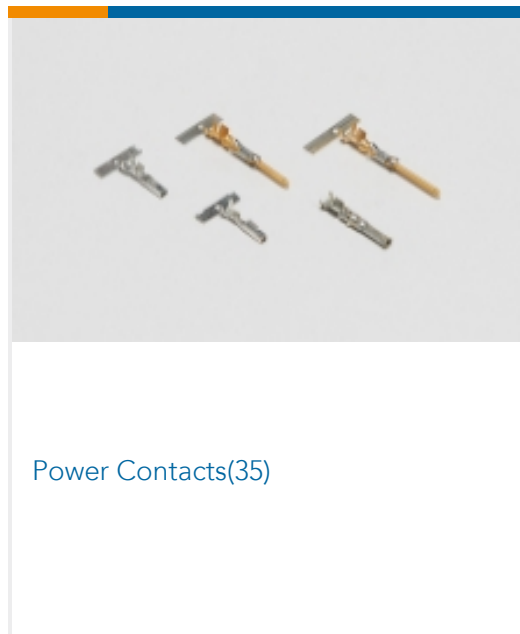
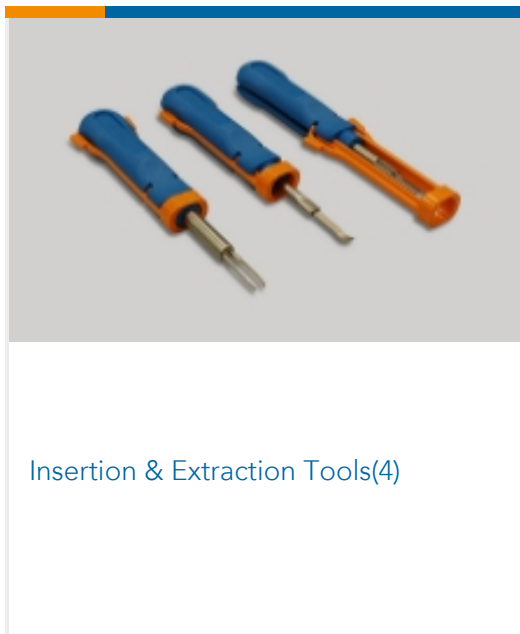
TE Part # 601967-1
 CRIMPING TOOL M22520/1-01



TE Part # 539972-1
 EXTRACTION TOOL

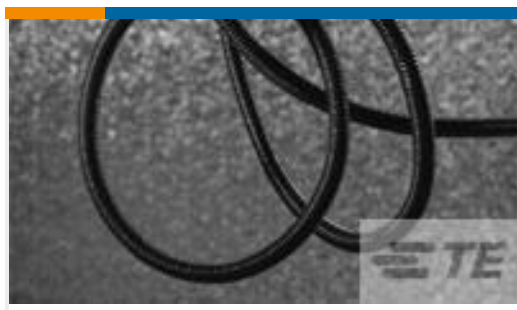


Also in the Series | AMP Type II

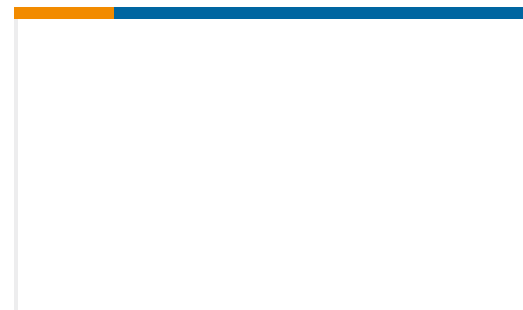


Customers Also Bought





TE Part #0999094004
HCTE-0375-0-SP



TE Part #2293403-2
QUADRAX D-SUB, 2Q2, CABLE
RECEPTACLE

Documents

Product Drawings

PIN ASSY. 14 AWG

English

CAD Files

3D PDF

3D

Customer View Model

[ENG_CVM_CVM_193844-1_E.2d_dxf.zip](#)

English

Customer View Model

[ENG_CVM_CVM_193844-1_E.3d_igs.zip](#)

English

Customer View Model

[ENG_CVM_CVM_193844-1_E.3d_stp.zip](#)

English

Customer View Model

[ENG_CVM_193844-1_G.3d_igs.zip](#)

English

Customer View Model

[ENG_CVM_193844-1_G.3d_stp.zip](#)

English

Customer View Model

[ENG_CVM_193844-1_G.2d_dxf.zip](#)

English

3D PDF

English

By downloading the CAD file I accept and agree to the [Terms and Conditions](#) of use.

Datasheets & Catalog Pages

AMP Circular Connectors for Commercial Signal & Power Applications

English

Power Contacts

English

M_SERIES_PIN_AND_SOCKET_CONNECTORS



English

Product Environmental Compliance

Product Compliance

English

Product Compliance

English

Agency Approvals

Agency Approval Document

English