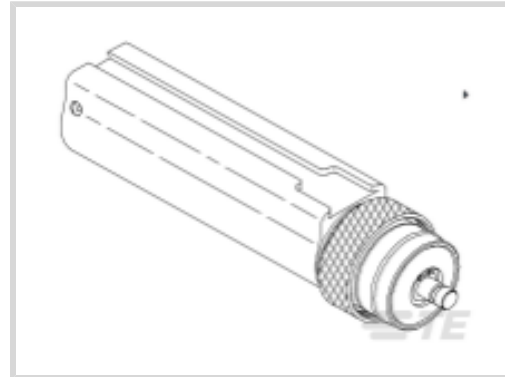




Application Tooling > Hand Crimping Tools



Tool Grade: **Premium Crimp Tooling**

TE Certification: **Cannot be Certified**

Power Technology Type: **Pneumatic**

### Features

#### Other

Tool Grade	Premium Crimp Tooling
TE Certification	Cannot be Certified
Power Technology Type	Pneumatic

### Product Compliance

[For compliance documentation, visit the product page on TE.com>](#)

EU RoHS Directive 2011/65/EU	Out of Scope
EU ELV Directive 2000/53/EC	Out of Scope
China RoHS 2 Directive MIIT Order No 32, 2016	Not reviewed for China RoHS compliance
EU REACH Regulation (EC) No. 1907/2006	Current ECHA Candidate List: JUNE 2023 (235) Candidate List Declared Against: JUL 2021 (219) Does not contain REACH SVHC
Halogen Content	Not Yet Reviewed for halogen content
Solder Process Capability	Not applicable for solder process capability

#### Product Compliance Disclaimer

This information is provided based on reasonable inquiry of our suppliers and represents our current actual knowledge based on the information they provided. This information is subject to change. The part numbers that TE has identified as EU RoHS compliant have a maximum concentration of 0.1% by weight in homogenous materials for lead, hexavalent chromium, mercury, PBB, PBDE, DBP, BBP, DEHP, DIBP, and 0.01% for cadmium, or qualify for an exemption to these limits as defined in the Annexes of Directive 2011/65/EU (RoHS2). Finished electrical and electronic equipment products will be CE marked as required by Directive 2011/65/EU. Components may not be CE marked. Additionally, the part numbers that TE has identified as EU ELV compliant have a maximum concentration of 0.1% by weight in homogenous materials for lead, hexavalent chromium, and mercury, and 0.01% for cadmium, or qualify for an exemption to these limits as defined in the Annexes of Directive 2000/53/EC (ELV). Regarding the REACH Regulation, the information TE provides

on SVHC in articles for this part number is based on the latest European Chemicals Agency (ECHA) 'Guidance on requirements for substances in articles' posted at this URL: <https://echa.europa.eu/guidance-documents/guidance-on-reach>

## Compatible Parts



TE Part # 150072-1  
22-16 PIDG R/T 7/16" STUD EXP



TE Part # 696451-1  
PIDG 22-16 K-D,NI-PL



TE Part # 1-1377174-1  
SMP 0-0165168-0



TE Part # 324658  
SPLICE BUTT S-M TERMINYL 8



TE Part # 324657  
SPLICE BUTT M-M TERMINYL 8



TE Part # 1-1377174-7  
SMP 0-0165049-0



TE Part # 1-1377174-9  
SMP 0-0323994-0



TE Part # 276959-2  
SPLICE,TERMI-FOIL TAP



TE Part # 356304-1  
TOOL HOLDER ASSY, STRHT ACTION



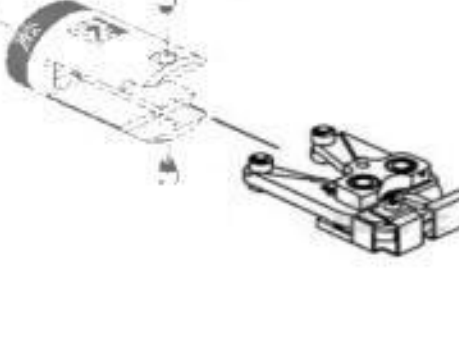
TE Part # 1213850-1  
626 PNEU HD,22-16 STRATO-THERM



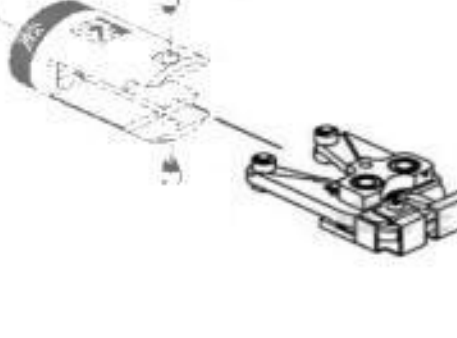
TE Part # 1213855-1  
SDE PNEUMATIC HAND TOOL ASSY.



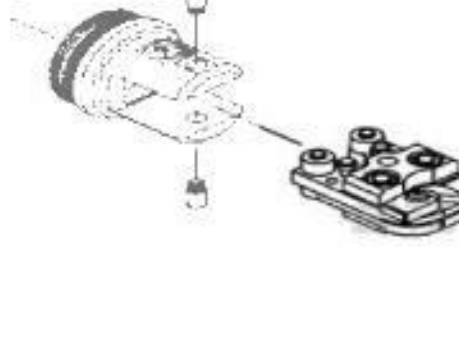
TE Part # 1338317-1  
PNEU HEAD ASSY(12-10 PIDG) 626



TE Part # 189444-1  
1210 COPALUM



TE Part # 189896-1  
PNEUMATIC CRIMP HEAD 18-8 CES



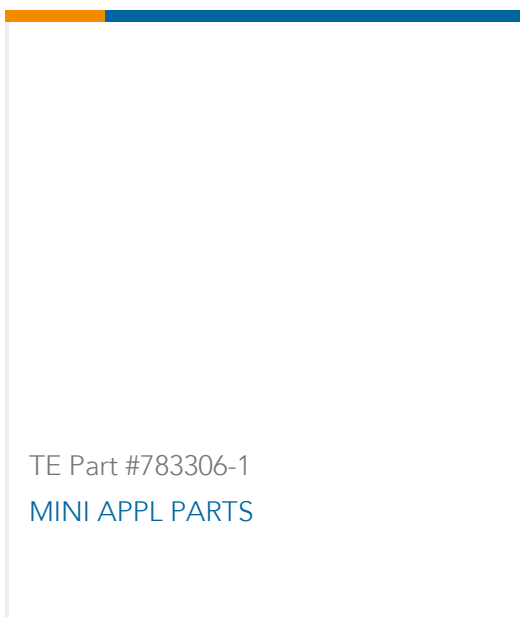
TE Part # 189989-1  
22-10 SOLISTRAND PNEU HD



TE Part # 322795  
SOLIS R HR 22-16COM 22-18MIL 2



### Customers Also Bought



### Documents

#### Datasheets & Catalog Pages

#### Bottoming Dies

English

#### Instruction Sheets

[626 Pneumatic Tooling Assemblies 189721-\[ \] and 189722-\[ \]](#)

[626 Pneumatic Tooling Assemblies 189721-\[ \] and 189722-\[ \]](#)

French

[626 Pneumatic Tooling Assemblies 189721-\[ \] and 189722-\[ \]](#)



[626 Pneumatic Tooling Assemblies 189721-\[ \] and 189722-\[ \]](#)

[626 Pneumatic Tooling Assemblies 189721-\[ \] and 189722-\[ \]](#)

[626 Pneumatic Tooling Assemblies 189721-\[ \] and 189722-\[ \]](#)

English

[626 Pneumatic Tooling Assemblies 189721-\[ \] and 189722-\[ \]](#)

[626 Pneumatic Tooling Assemblies 189721-\[ \] and 189722-\[ \]](#)

[626 Pneumatic Tooling Assemblies 189721-\[ \] and 189722-\[ \]](#)

[626 Pneumatic Tooling Assemblies 189721-\[ \] and 189722-\[ \]](#)

German

[626 Pneumatic Tooling Assemblies 189721-\[ \] and 189722-\[ \]](#)

Japanese

[626 Pneumatic Tooling Assemblies 189721-\[ \] and 189722-\[ \]](#)

[626 Pneumatic Tooling Assemblies 189721-\[ \] and 189722-\[ \]](#)

German

[626 Pneumatic Tooling Assemblies 189721-\[ \] and 189722-\[ \]](#)

[626 Pneumatic Tooling Assemblies 189721-\[ \] and 189722-\[ \]](#)

[626 Pneumatic Tooling Assemblies 189721-\[ \] and 189722-\[ \]](#)

[626 Pneumatic Tooling Assemblies 189721-\[ \] and 189722-\[ \]](#)

French

[626 Pneumatic Tooling Assemblies 189721-\[ \] and 189722-\[ \]](#)

[626 Pneumatic Tooling Assemblies 189721-\[ \] and 189722-\[ \]](#)

---

### Agency Approvals

[CE Declaration of Conformity](#)

[CE Declaration of Conformity](#)

[CE Declaration of Conformity](#)

[CE Declaration of Conformity](#)

English

[CE Declaration of Conformity](#)

[CE Declaration of Conformity](#)

German

[CE Declaration of Conformity](#)

English

[CE Declaration of Conformity](#)

[CE Declaration of Conformity](#)

German

[CE Declaration of Conformity](#)



[CE Declaration of Conformity](#)

French

[CE Declaration of Conformity](#)