



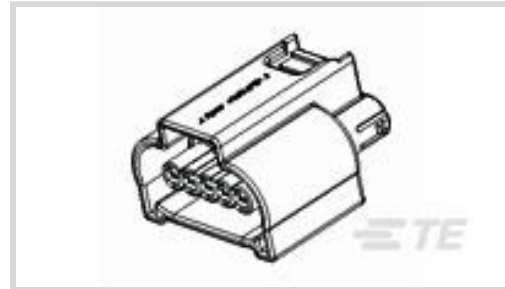
AMP MCP 1.5K, AMP MCP Connector System

TE Internal #: 1897208-1

Housing for Female Terminals, Wire-to-Wire, 5 Position, .157 in [4 mm] Centerline, Sealable, Black, Signal, Cable Mount (Free-Hanging), Hybrid

[View on TE.com >](#)

Connectors > Automotive Connectors > Automotive Housings > AMP MCP, SEALED CONNECTOR HOUSING



Connector System: **Wire-to-Wire**

Number of Positions: **5**

Connector & Housing Type: **Housing for Female Terminals**

Centerline (Pitch): **4 mm [.157 in]**

Sealable: **Yes**

[All AMP MCP, SEALED CONNECTOR HOUSING \(172\)](#)

Features

Product Type Features

Mixed & Hybrid Connector	No
Connector Shape	Rectangular
Connector System	Wire-to-Wire
Connector & Housing Type	Housing for Female Terminals
Sealable	Yes
Primary Locking Feature	Integrated in Housing

Configuration Features

Number of Positions	5
Number of Rows	1

Body Features

Cable Exit Angle	180°
Primary Product Color	Black

Contact Features

Contact Size	1.5mm
Contact Type	Receptacle
Mating Tab Width	1.5 mm[.059 in]



Mechanical Attachment

Terminal Position Assurance	No
Strain Relief	Without
Mating Alignment Type	Polarized
Mating Alignment	With
Connector Mounting Type	Cable Mount (Free-Hanging)

Housing Features

Housing Material	PA GF
Centerline (Pitch)	4 mm [.157 in]

Dimensions

Connector Height	21.1 mm [.83 in]
Product Width	32.7 mm [1.28 in]
Product Length	31.6 mm [1.24 in]

Operation/Application

Circuit Application	Signal
---------------------	--------

Packaging Features

Packaging Quantity	200
Packaging Method	Bag

Other

Serviceable	No
Connector Position Assurance Capable	No

Product Compliance

[For compliance documentation, visit the product page on TE.com>](#)

EU RoHS Directive 2011/65/EU	Compliant
EU ELV Directive 2000/53/EC	Compliant
China RoHS 2 Directive MIIT Order No 32, 2016	No Restricted Materials Above Threshold
EU REACH Regulation (EC) No. 1907/2006	Current ECHA Candidate List: JUNE 2023 (235) Candidate List Declared Against: JUNE 2023 (235) Does not contain REACH SVHC
Halogen Content	BFR/CFR/PVC Free, but Br/Cl >900 ppm in other sources.



Solder Process Capability

Not applicable for solder process capability

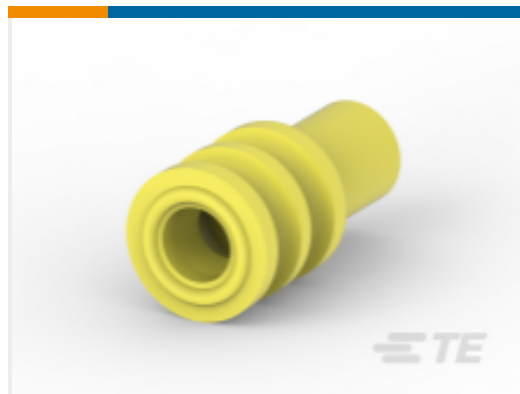
Product Compliance Disclaimer

This information is provided based on reasonable inquiry of our suppliers and represents our current actual knowledge based on the information they provided. This information is subject to change. The part numbers that TE has identified as EU RoHS compliant have a maximum concentration of 0.1% by weight in homogenous materials for lead, hexavalent chromium, mercury, PBB, PBDE, DBP, BBP, DEHP, DIBP, and 0.01% for cadmium, or qualify for an exemption to these limits as defined in the Annexes of Directive 2011/65/EU (RoHS2). Finished electrical and electronic equipment products will be CE marked as required by Directive 2011/65/EU. Components may not be CE marked. Additionally, the part numbers that TE has identified as EU ELV compliant have a maximum concentration of 0.1% by weight in homogenous materials for lead, hexavalent chromium, and mercury, and 0.01% for cadmium, or qualify for an exemption to these limits as defined in the Annexes of Directive 2000/53/EC (ELV). Regarding the REACH Regulation, the information TE provides on SVHC in articles for this part number is based on the latest European Chemicals Agency (ECHA) 'Guidance on requirements for substances in articles' posted at this URL: <https://echa.europa.eu/guidance-documents/guidance-on-reach>

Compatible Parts



TE Part # 1718705-1
SINGLE WIRE SEAL,COLLAR DIA 2,



TE Part # 964972-1
EINZELLEITERDICHTNG



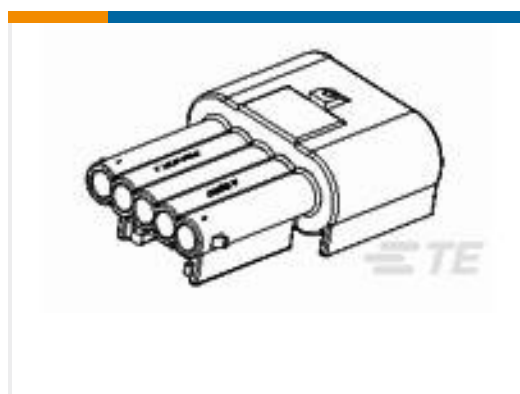
TE Part # 963531-1
BLINDSTOPFEN



TE Part # 963530-1
EINZELLEITERDICHTNG



TE Part # 964971-1
EINZELLEITERDICHTNG



TE Part # 1897207-2
MCP 1.5 5P CAP HSG



TE Part # CAT-AM705-T273
AMP MCP, RECEPTACLE AND TAB

Also in the Series | AMP MCP 1.5K



Automotive Connector Caps & Covers (1)



Automotive Housings(104)



Automotive Terminals(3)

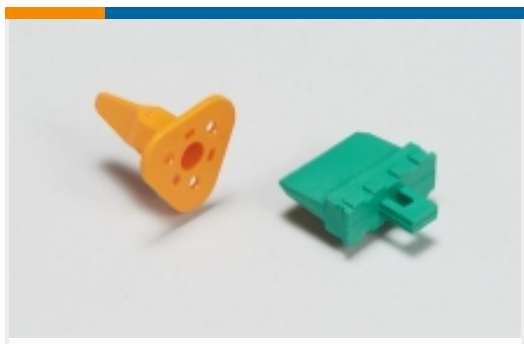


Insertion & Extraction Tools(1)

Also in the Series | AMP MCP Connector System



Automotive Connector Caps & Covers (25)



Automotive Connector Locks & Position Assurance(7)



Automotive Housings(360)



Automotive Terminals(135)



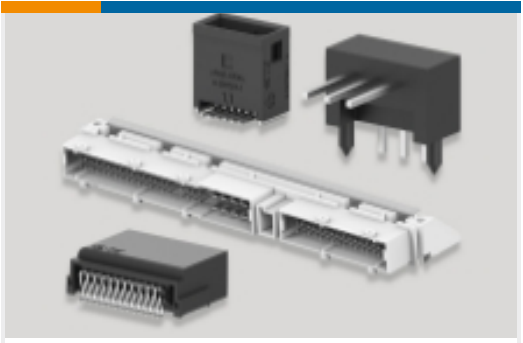
Connector Seals & Cavity Plugs(6)



Insertion & Extraction Tools(13)



Other Automotive Connector Accessories(3)



PCB Headers & Receptacles(30)

Customers Also Bought



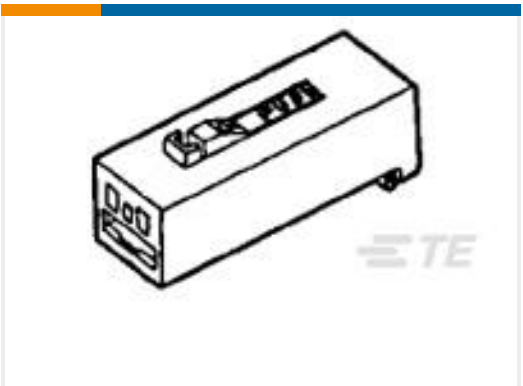
TE Part #HD34-24-91PN-059
REC,9P,AL,N,CBLCLMPBT,DRAIN,8/12/16,P,MC



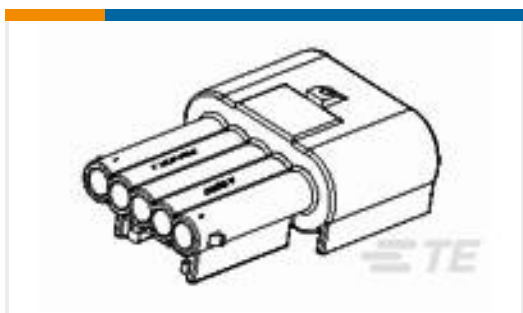
TE Part #1-1456426-1
4POS, MCON 1.2 CB REC 2p TL SEALED



TE Part #1924292-5
6POS, MCON 1.2 CB REC 2p TL SEALED



TE Part #174090-2
PL .250 (6.3 MM) HOUSING



TE Part #1897207-2
MCP 1.5 5P CAP HSG



TE Part #927835-1
TIMER, RECEPTACLE AND TAB



TE Part #1241380-2
AMP MCP 1.5K, CONTACT, SWS



TE Part #184004-1
2 POS. PLUG ASSY, KEY C, BLACK

Documents

Product Drawings

MCP 1.5 5P PLUG ASSY

English

CAD Files

3D PDF

3D

Customer View Model

ENG_CVM_CVM_1897208-1_B.2d_dxf.zip

1897208-1

Housing for Female Terminals, Wire-to-Wire, 5 Position, .157 in [4 mm] Centerline, Sealable, Black, Signal, Cable Mount (Free-Hanging), Hybrid



English

Customer View Model

[ENG_CVM_CVM_1897208-1_B.3d_igs.zip](#)

English

Customer View Model

[ENG_CVM_CVM_1897208-1_B.3d_stp.zip](#)

English

By downloading the CAD file I accept and agree to the [Terms and Conditions](#) of use.

Product Specifications

[Product Specification](#)

English