

1883077-1 ✓ ACTIVE

[AMP](#) | [AMP SMA](#)

TE Internal #: 1883077-1

In-Series Adapter, Straight, SMA, Jack Side A, SMA, Jack Side B, 1 Position, AMP SMA

[View on TE.com >](#)



[Connectors](#) > [Connector Accessories](#) > [Connector Savers & Adapters](#)



Connector Interface Adapter Type: **In-Series Adapter**

Body Orientation: **Straight**

Side A Interface: **SMA**

Side A Gender: **Jack**

Side B Interface: **SMA**

Features

Product Type Features

Connector Interface Adapter Type	In-Series Adapter
Side A Interface	SMA
Side A Gender	Jack
Side B Interface	SMA
Side B Gender	Jack
Connector System	Cable-to-Cable
Sealable	No

Configuration Features

Number of Positions	1
---------------------	---

Electrical Characteristics

Impedance	50 Ω
-----------	-------------

Body Features

Body Plating Finish	Passivated
Hermetically Sealed	No
Body Material	Stainless Steel

Contact Features

RF Connector Center Contact Material	Beryllium Copper
RF Connector Center Contact Plating Material	Gold



Mechanical Attachment

Panel Attachment Style	Rear Mount
RF Contact Captivation Method	Mechanical
Connector Mounting Type	Panel Mount

Housing Features

Body Orientation	Straight
------------------	----------

Dimensions

Panel Thickness (Recommended)	.25 mm[6.35 in]
Product Length	22.23 mm[.875 in]

Usage Conditions

Operating Temperature Range	-65 – 125 °C[-85 – 257 °F]
-----------------------------	----------------------------

Operation/Application

Operating Frequency	18 GHz
Circuit Application	Signal

Packaging Features

Packaging Method	Package
------------------	---------

Other

Grade	Professional
Dielectric Material	PTFE Fluorocarbon

Product Compliance

[For compliance documentation, visit the product page on TE.com>](#)

EU RoHS Directive 2011/65/EU	Compliant with Exemptions
EU ELV Directive 2000/53/EC	Compliant with Exemptions
China RoHS 2 Directive MIIT Order No 32, 2016	Restricted Materials Above Threshold
EU REACH Regulation (EC) No. 1907/2006	Current ECHA Candidate List: JUNE 2023 (235) Candidate List Declared Against: JUNE 2022 (224) SVHC > Threshold: Pb (4% in Component) Article Safe Usage Statements: Do not eat, drink or smoke when using this product. Wash thoroughly after handling. Recycle if possible and dispose of the article by following all applicable governmental regulations relevant to your geographic location.
Halogen Content	Low Bromine/Chlorine - Br and Cl < 900 ppm per homogenous material. Also BFR

/CFR/PVC Free

Solder Process Capability

Not applicable for solder process capability

Product Compliance Disclaimer

This information is provided based on reasonable inquiry of our suppliers and represents our current actual knowledge based on the information they provided. This information is subject to change. The part numbers that TE has identified as EU RoHS compliant have a maximum concentration of 0.1% by weight in homogenous materials for lead, hexavalent chromium, mercury, PBB, PBDE, DBP, BBP, DEHP, DIBP, and 0.01% for cadmium, or qualify for an exemption to these limits as defined in the Annexes of Directive 2011/65/EU (RoHS2). Finished electrical and electronic equipment products will be CE marked as required by Directive 2011/65/EU. Components may not be CE marked. Additionally, the part numbers that TE has identified as EU ELV compliant have a maximum concentration of 0.1% by weight in homogenous materials for lead, hexavalent chromium, and mercury, and 0.01% for cadmium, or qualify for an exemption to these limits as defined in the Annexes of Directive 2000/53/EC (ELV). Regarding the REACH Regulation, the information TE provides on SVHC in articles for this part number is based on the latest European Chemicals Agency (ECHA) 'Guidance on requirements for substances in articles' posted at this URL: <https://echa.europa.eu/guidance-documents/guidance-on-reach>

Also in the Series | AMP SMA



Battery Holders(1)



Coax Connectors(295)



Connector Savers & Adapters(12)



Rack & Panel Ferrules & Inserts(1)



RF Cable Assemblies(2)



RF Connector Hardware(2)



RF Connector Launchers(8)

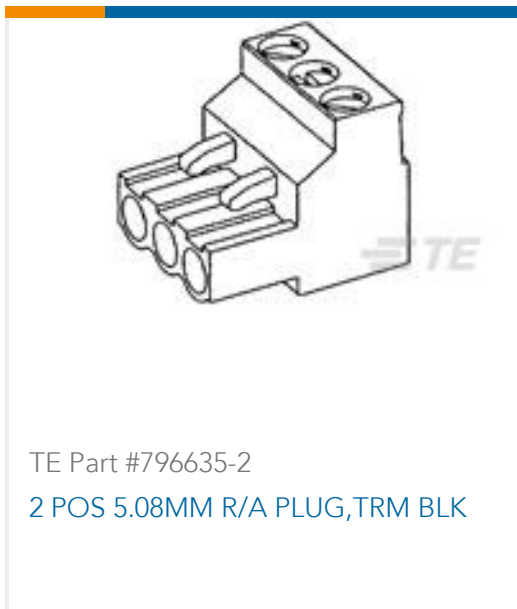


RF Connector Shrouds(3)



RF Terminators(1)

Customers Also Bought



Documents

Product Drawings

[2084 5108 02 SMA BULKHD FEEDTHRU](#)

English

CAD Files

[3D PDF](#)

3D

Customer View Model

[ENG_CVM_CVM_1883077-1_D_c-1883077-1-d.2d_dxf.zip](#)

English

Customer View Model

[ENG_CVM_CVM_1883077-1_D_c-1883077-1-d.3d_igs.zip](#)

English

Customer View Model

[ENG_CVM_CVM_1883077-1_D_c-1883077-1-d.3d_stp.zip](#)

English

By downloading the CAD file I accept and agree to the [Terms and Conditions](#) of use.

Datasheets & Catalog Pages

[Products for Aerospace and Defense](#)

English