



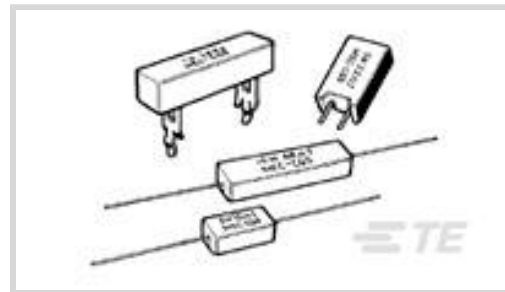
CGS | CGS SQ

TE Internal #: 1879068-2

27 Ω, Wire Wound, Power Resistor, 5 %, 10.5 x 8 x 18 mm, 2 Termination, Loose Piece - Box, 40 W, ±300 ppm/°C, Radial-Leaded FASTON, CGS SQ

[View on TE.com >](#)

Passive Components > Resistors > Through-Hole Resistors > Wirewound Resistor: Horizontal Mount



Resistor Type: **Power Resistor**

Passive Component Dimensions: **10.5 x 8 x 18 mm**

Number of Terminations: **2**

Packaging Method: **Loose Piece - Box**

Passive Component Tolerance: **5 %**

[All Wirewound Resistor: Horizontal Mount \(157\)](#)

## Features

### Product Type Features

Product Type	Fixed Resistor
Resistor Type	Power Resistor
Element Type	Wire Wound

### Configuration Features

Number of Resistors	1
---------------------	---

### Electrical Characteristics

Passive Component Tolerance	5 %
Resistance Class	Up to 1kΩ
Resistance Value	27 Ω
Power Rating	40 W

### Body Features

Passive Component Lead Type	Radial-Leaded FASTON
-----------------------------	----------------------

### Termination Features

Number of Terminations	2
------------------------	---

### Dimensions

Passive Component Dimensions	10.5 x 8 x 18 mm
------------------------------	------------------



### Usage Conditions

Temperature Coefficient	±300 ppm/°C
-------------------------	-------------

### Packaging Features

Packaging Method	Loose Piece - Box
------------------	-------------------

### Product Compliance

[For compliance documentation, visit the product page on TE.com>](#)

EU RoHS Directive 2011/65/EU	Compliant
EU ELV Directive 2000/53/EC	Compliant
China RoHS 2 Directive MIIT Order No 32, 2016	No Restricted Materials Above Threshold
EU REACH Regulation (EC) No. 1907/2006	Current ECHA Candidate List: JUNE 2023 (235) Candidate List Declared Against: JUNE 2023 (235) Does not contain REACH SVHC
Halogen Content	Low Halogen - Br, Cl, F, I < 900 ppm per homogenous material. Also BFR/CFR/PVC Free
Solder Process Capability	Wave solder capable to 265°C

#### Product Compliance Disclaimer

This information is provided based on reasonable inquiry of our suppliers and represents our current actual knowledge based on the information they provided. This information is subject to change. The part numbers that TE has identified as EU RoHS compliant have a maximum concentration of 0.1% by weight in homogenous materials for lead, hexavalent chromium, mercury, PBB, PBDE, DBP, BBP, DEHP, DIBP, and 0.01% for cadmium, or qualify for an exemption to these limits as defined in the Annexes of Directive 2011/65/EU (RoHS2). Finished electrical and electronic equipment products will be CE marked as required by Directive 2011/65/EU. Components may not be CE marked. Additionally, the part numbers that TE has identified as EU ELV compliant have a maximum concentration of 0.1% by weight in homogenous materials for lead, hexavalent chromium, and mercury, and 0.01% for cadmium, or qualify for an exemption to these limits as defined in the Annexes of Directive 2000/53/EC (ELV). Regarding the REACH Regulation, the information TE provides on SVHC in articles for this part number is based on the latest European Chemicals Agency (ECHA) 'Guidance on requirements for substances in articles' posted at this URL: <https://echa.europa.eu/guidance-documents/guidance-on-reach>

### Compatible Parts



## Also in the Series | [CGS SQ](#)



[Through-Hole Resistors\(662\)](#)

## Customers Also Bought



TE Part #330896  
[TERMINAL,PIDG R 16-14HD 3/8](#)



TE Part #1011-348-0805  
[DUST CAP, 8P, PLG, BLK, DT](#)



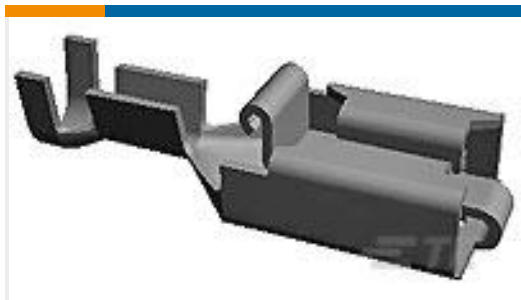
TE Part #1011-310-0205  
[CLIP, PA66, BLK, FIR-TREE, ST](#)



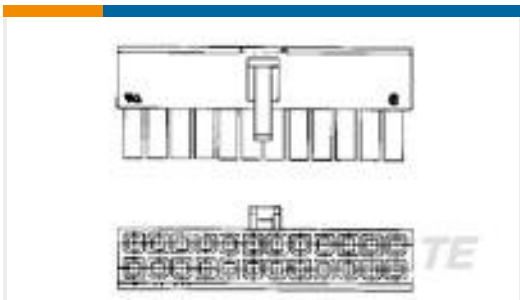
TE Part #1-929170-4  
[4POS MOS REC COD A](#)



TE Part #1062-16-0622  
[SOC, SF, SIZE 16, 16-20, NI/SN](#)



TE Part #1-160759-1  
[250 PL MKI REC. 20-15AWG PTBR](#)



TE Part #1-794954-4  
[14P RCPT VAL-U-LOK V2](#)



TE Part #HDP24-24-47PE-L017  
[DEUTSCH HDP20 Housings](#)



TE Part #1062-20-0222  
[SOC, SF, SIZE 20, 16-22, NI/NI](#)

## Documents

### Product Drawings

[SQB 40 27R 5% 6.35MM FASTON](#)

English

### Datasheets & Catalog Pages

[4-1773460-6\\_RESISTIVE\\_SOLUTIONS\\_RAIL](#)

English

SQBW4027RJFASTON

27  $\Omega$ , Wire Wound, Power Resistor, 5 %, 10.5 x 8 x 18 mm, 2 Termination, Loose Piece  
- Box, 40 W,  $\pm 300$  ppm/ $^{\circ}\text{C}$ , Radial-Leaded FASTON, CGS SQ



[1309350\\_PASSIVE\\_COMPONENT](#)

English

[8-1773459-4\\_POWER\\_FILTERING\\_AND\\_RESISTIVE\\_SOLUTIONS\\_FOR\\_ELEVATORS\\_AND\\_ESCALATORS](#)

English