



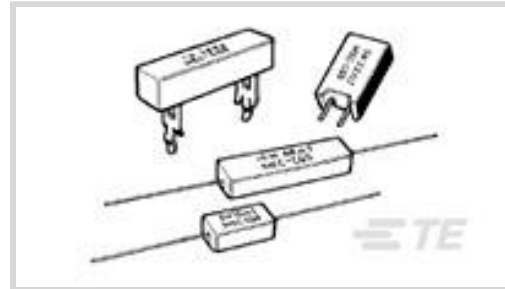
CGS | CGS SQ

TE Internal #: 1879009-6

6.8 Ω, Wire Wound, Power Resistor, 5 %, 39.5 x 19 mm, 2 Termination, Loose Piece - Box, 30 W, ±300 ppm/°C, Radial-Leaded FASTON, CGS SQ

[View on TE.com >](#)

Passive Components > Resistors > Through-Hole Resistors > Wirewound Resistor: Horizontal Mount



Resistor Type: **Power Resistor**

Passive Component Dimensions: **39.5 x 19 mm**

Number of Terminations: **2**

Packaging Method: **Loose Piece - Box**

Passive Component Tolerance: **5 %**

[All Wirewound Resistor: Horizontal Mount \(157\)](#)

Features

Product Type Features

| | |
|---------------|----------------|
| Product Type | Fixed Resistor |
| Resistor Type | Power Resistor |
| Element Type | Wire Wound |

Configuration Features

| | |
|---------------------|---|
| Number of Resistors | 1 |
|---------------------|---|

Electrical Characteristics

| | |
|-----------------------------|-----------|
| Passive Component Tolerance | 5 % |
| Resistance Class | Up to 1kΩ |
| Resistance Value | 6.8 Ω |
| Power Rating | 30 W |

Body Features

| | |
|-----------------------------|----------------------|
| Passive Component Lead Type | Radial-Leaded FASTON |
|-----------------------------|----------------------|

Termination Features

| | |
|------------------------|---|
| Number of Terminations | 2 |
|------------------------|---|

Dimensions

| | |
|------------------------------|--------------|
| Passive Component Dimensions | 39.5 x 19 mm |
|------------------------------|--------------|



Usage Conditions

| | |
|-----------------------------|--------------|
| Operating Temperature Range | -55 – 250 °C |
| Temperature Coefficient | ±300 ppm/°C |

Packaging Features

| | |
|------------------|-------------------|
| Packaging Method | Loose Piece - Box |
|------------------|-------------------|

Product Compliance

[For compliance documentation, visit the product page on TE.com>](#)

| | |
|---|---|
| EU RoHS Directive 2011/65/EU | Compliant |
| EU ELV Directive 2000/53/EC | Compliant |
| China RoHS 2 Directive MIIT Order No 32, 2016 | No Restricted Materials Above Threshold |
| EU REACH Regulation (EC) No. 1907/2006 | Current ECHA Candidate List: JUNE 2023 (235) Candidate List Declared Against: JUNE 2023 (235) Does not contain REACH SVHC |
| Halogen Content | Low Halogen - Br, Cl, F, I < 900 ppm per homogenous material. Also BFR/CFR/PVC Free |
| Solder Process Capability | Wave solder capable to 265°C |

Product Compliance Disclaimer

This information is provided based on reasonable inquiry of our suppliers and represents our current actual knowledge based on the information they provided. This information is subject to change. The part numbers that TE has identified as EU RoHS compliant have a maximum concentration of 0.1% by weight in homogenous materials for lead, hexavalent chromium, mercury, PBB, PBDE, DBP, BBP, DEHP, DIBP, and 0.01% for cadmium, or qualify for an exemption to these limits as defined in the Annexes of Directive 2011/65/EU (RoHS2). Finished electrical and electronic equipment products will be CE marked as required by Directive 2011/65/EU. Components may not be CE marked. Additionally, the part numbers that TE has identified as EU ELV compliant have a maximum concentration of 0.1% by weight in homogenous materials for lead, hexavalent chromium, and mercury, and 0.01% for cadmium, or qualify for an exemption to these limits as defined in the Annexes of Directive 2000/53/EC (ELV). Regarding the REACH Regulation, the information TE provides on SVHC in articles for this part number is based on the latest European Chemicals Agency (ECHA) 'Guidance on requirements for substances in articles' posted at this URL: <https://echa.europa.eu/guidance-documents/guidance-on-reach>

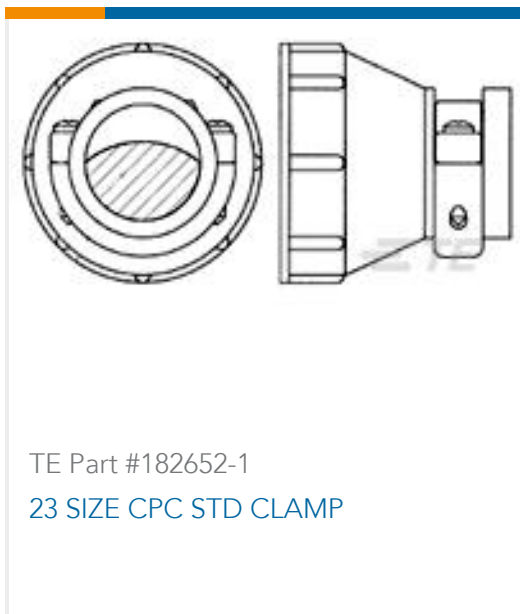
Compatible Parts



Also in the Series | CGS SQ



Customers Also Bought





Documents

Product Drawings

[SQB30 6R8 5% 6.35MM FASTON](#)

English

CAD Files

[3D PDF](#)

3D

Customer View Model

[ENG_CVM_CVM_1879009-6_BA.2d_dxf.zip](#)

English

Customer View Model

[ENG_CVM_CVM_1879009-6_BA.3d_igs.zip](#)

English

Customer View Model

[ENG_CVM_CVM_1879009-6_BA.3d_stp.zip](#)

English

By downloading the CAD file I accept and agree to the [Terms and Conditions](#) of use.

Datasheets & Catalog Pages

[4-1773460-6_RESISTIVE_SOLUTIONS_RAIL](#)

English

[1309350_PASSIVE_COMPONENT](#)

English

[8-1773459-4_POWER_FILTERING_AND_RESISTIVE_SOLUTIONS_FOR_ELEVATORS_AND_ESCALATORS](#)

English