

1871132-3 ✓ ACTIVE

[Dynamic Series](#) | [Dynamic 7000 Series](#)

TE Internal #: 1871132-3

Connector Contact, Socket, Component-to-Wire, 12 – 10 AWG

Wire Size, 2.7 – 6.6 mm² Wire Size, Gold, Box & Tray, Wire & Cable,

Dynamic 7000 Series

[View on TE.com >](#)



[Connectors >](#) [PCB Connectors >](#) [Wire-to-Board Connectors >](#) [Wire-to-Board Connector Contacts >](#)

Contact: Component To Wire; 55-60A, 16-6 Wire Size



Contact Type: **Socket**

Connector System: **Component-to-Wire**

Wire Size: **2.7 – 6.6 mm²**

Contact Mating Area Plating Material: **Gold**

All Contact: Component To Wire; 55-60A, 16-6 Wire Size (10)

Features

Product Type Features

Connector System	Component-to-Wire
Connector & Contact Terminates To	Wire & Cable

Contact Features

Mating Pin Diameter	6.28 mm[.25 in]
Contact Type	Socket
Contact Mating Area Plating Material	Gold
Contact Current Rating (Max)	65 A

Dimensions

Wire Size	2.7 – 6.6 mm ²
-----------	---------------------------

Usage Conditions

Operating Temperature Range	-55 – 105 °C[-67 – 221 °F]
-----------------------------	----------------------------

Operation/Application

Circuit Application	Power
---------------------	-------

Packaging Features

Packaging Method	Box & Tray
------------------	------------



Product Compliance

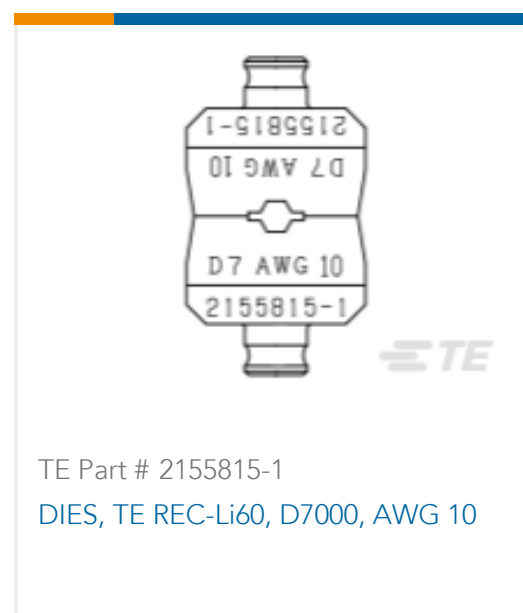
[For compliance documentation, visit the product page on TE.com>](#)

EU RoHS Directive 2011/65/EU	Compliant
EU ELV Directive 2000/53/EC	Compliant
China RoHS 2 Directive MIIT Order No 32, 2016	No Restricted Materials Above Threshold
EU REACH Regulation (EC) No. 1907/2006	Current ECHA Candidate List: JUNE 2023 (235) Candidate List Declared Against: JUNE 2023 (235) Does not contain REACH SVHC
Halogen Content	Low Halogen - Br, Cl, F, I < 900 ppm per homogenous material. Also BFR/CFR/PVC Free
Solder Process Capability	Not applicable for solder process capability

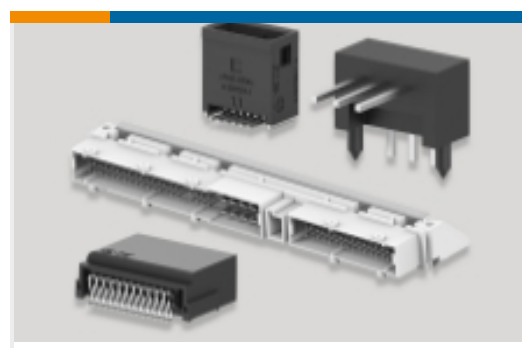
Product Compliance Disclaimer

This information is provided based on reasonable inquiry of our suppliers and represents our current actual knowledge based on the information they provided. This information is subject to change. The part numbers that TE has identified as EU RoHS compliant have a maximum concentration of 0.1% by weight in homogenous materials for lead, hexavalent chromium, mercury, PBB, PBDE, DBP, BBP, DEHP, DIBP, and 0.01% for cadmium, or qualify for an exemption to these limits as defined in the Annexes of Directive 2011/65/EU (RoHS2). Finished electrical and electronic equipment products will be CE marked as required by Directive 2011/65/EU. Components may not be CE marked. Additionally, the part numbers that TE has identified as EU ELV compliant have a maximum concentration of 0.1% by weight in homogenous materials for lead, hexavalent chromium, and mercury, and 0.01% for cadmium, or qualify for an exemption to these limits as defined in the Annexes of Directive 2000/53/EC (ELV). Regarding the REACH Regulation, the information TE provides on SVHC in articles for this part number is based on the latest European Chemicals Agency (ECHA) 'Guidance on requirements for substances in articles' posted at this URL: <https://echa.europa.eu/guidance-documents/guidance-on-reach>

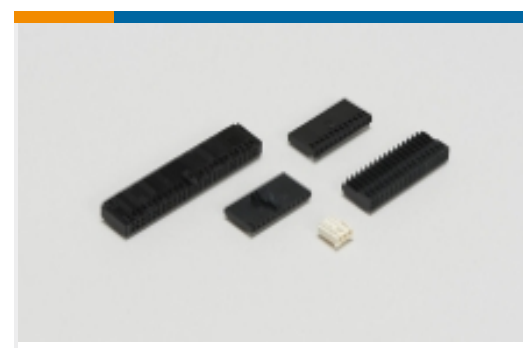
Compatible Parts



Also in the Series | [Dynamic 7000 Series](#)



PCB Headers & Receptacles(1)

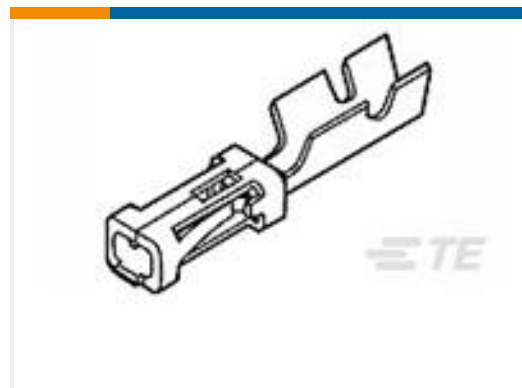
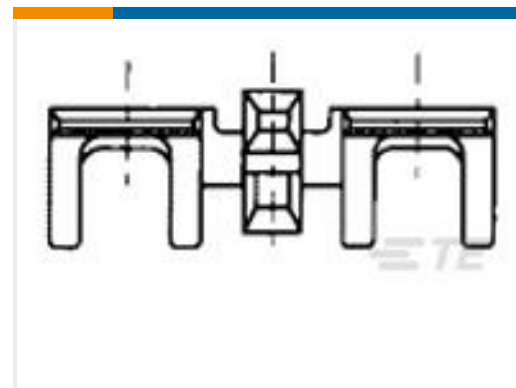
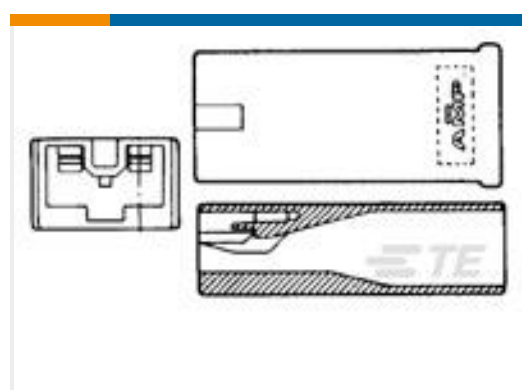
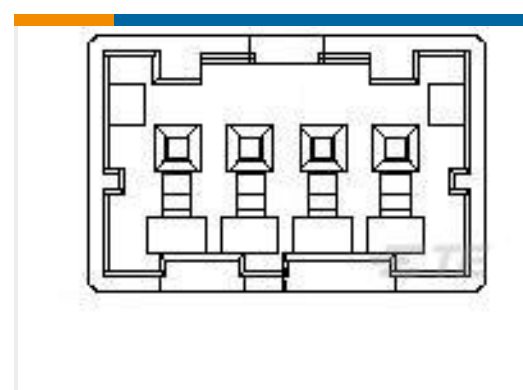
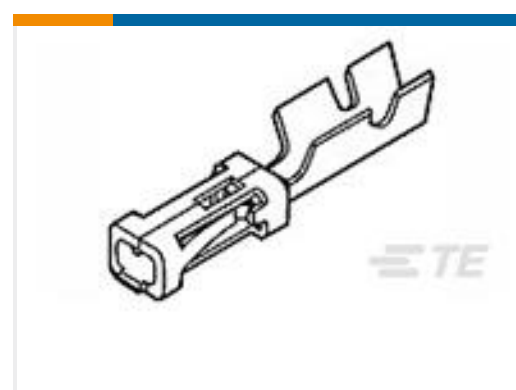
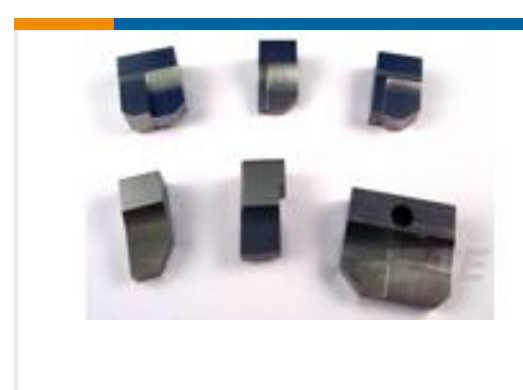


Wire-to-Board Connector Assemblies & Housings(8)



Wire-to-Board Connector Contacts(10)

Customers Also Bought

TE Part #6-102316-4
MOD IV RECP LP LFTE Part #102387-1
10 MODIV HSG COMP DR .100 POLTE Part #353254-1
POSITIVE LOCK EX 110 (2.8 MM)TE Part #1-2315884-2
GIC2.5W CAPHOUSING 8POS (2-ROW) REDTE Part #179970-2
PL EXII 250 REC HSG 1P NYLON REDTE Part #1903393-1
GIC 2.5 W CAP HSG 4P NATURALTE Part #6-102316-3
MOD IV RECP LP LFTE Part #1-2315883-2
GIC2.5W PLUG HOUSING 8POS (2-ROW) REDTE Part #4-1565081-2
GIC 3.5W 2P PLUG FTE Part #1-240655-7
ANVIL

Documents

Product Drawings

[DYNAMIC D7 SOCKET CONT ASSY AG PL #10-12](#)

Japanese

CAD Files

[3D PDF](#)

[3D](#)

[Customer View Model](#)

[ENG_CVM_CVM_1871132-3_C_c-1871132-3-c.2d_dxf.zip](#)



English

Customer View Model

[ENG_CVM_CVM_1871132-3_C_c-1871132-3-c.3d_igs.zip](#)

English

Customer View Model

[ENG_CVM_CVM_1871132-3_C_c-1871132-3-c.3d_stp.zip](#)

English

By downloading the CAD file I accept and agree to the [Terms and Conditions](#) of use.

Datasheets & Catalog Pages

[1-1773732-4_DYNAMIC_SERIES_CATALOG_ENGLISH](#)

Japanese

[1-1773732-4_DYNAMIC_SERIES_CATALOG_ENGLISH](#)

English

Product Specifications

[Application Specification](#)

Japanese

Product Environmental Compliance

[Product Compliance](#)

English

[Product Compliance](#)

English

Agency Approvals

[TUV Certificate](#)

English