

1860100-1 ✓ ACTIVE

SCHRACK | SCHRACK Accessories Miniature Relay PT

TE Internal #: 1860100-1

Relay Accessories, Sockets & Clips, Socket, DIN Rail Mount,  
Miniature Relays, DIN Rail, 2, Socket, SCHRACK Accessories  
Miniature Relay PT

[View on TE.com >](#)



Relays, Contactors & Switches > Relays > Relay Accessories, Sockets & Clips



Relay Accessory, Socket & Clip Product Type: **Socket**

Relay Accessory, Socket & Clip Socket Type: **DIN Rail Mount**

Grounding Provision: **Without**

Relay Accessory, Socket & Clip For Use With: **Miniature Relays**

Relay Accessory, Socket & Clip Mounting Type: **DIN Rail**

## Features

### Product Type Features

Terminal Configuration	Screwless Clamps
Relay Accessory, Socket & Clip Product Type	Socket
Relay Accessory Type	Socket

### Configuration Features

Grounding Provision	Without
---------------------	---------

### Contact Features

	1.1 in
Relay Accessory, Socket & Clip Socket Type	DIN Rail Mount
Pole Configuration	2

### Termination Features

Number of Pins	14
----------------	----

### Mechanical Attachment

Relay Accessory, Socket & Clip Mounting Type	DIN Rail
--	----------

### Operation/Application

Relay Accessory, Socket & Clip For Use With	Miniature Relays
---	------------------

## Product Compliance

[For compliance documentation, visit the product page on TE.com>](#)



EU RoHS Directive 2011/65/EU	Compliant
EU ELV Directive 2000/53/EC	Compliant
China RoHS 2 Directive MIIT Order No 32, 2016	No Restricted Materials Above Threshold
EU REACH Regulation (EC) No. 1907/2006	Current ECHA Candidate List: JUNE 2023 (235) Candidate List Declared Against: JUNE 2023 (235) Does not contain REACH SVHC
Halogen Content	Low Halogen - Br, Cl, F, I < 900 ppm per homogenous material. Also BFR/CFR/PVC Free
Solder Process Capability	Not applicable for solder process capability

Product Compliance Disclaimer

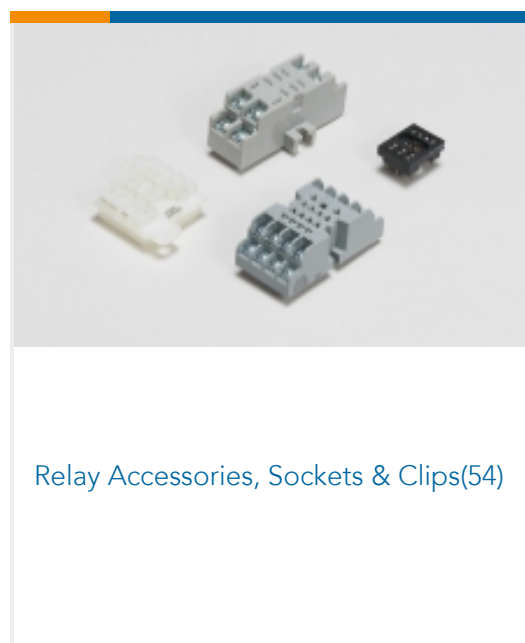
This information is provided based on reasonable inquiry of our suppliers and represents our current actual knowledge based on the information they provided. This information is subject to change. The part numbers that TE has identified as EU RoHS compliant have a maximum concentration of 0.1% by weight in homogenous materials for lead, hexavalent chromium, mercury, PBB, PBDE, DBP, BBP, DEHP, DIBP, and 0.01% for cadmium, or qualify for an exemption to these limits as defined in the Annexes of Directive 2011/65/EU (RoHS2). Finished electrical and electronic equipment products will be CE marked as required by Directive 2011/65/EU. Components may not be CE marked. Additionally, the part numbers that TE has identified as EU ELV compliant have a maximum concentration of 0.1% by weight in homogenous materials for lead, hexavalent chromium, and mercury, and 0.01% for cadmium, or qualify for an exemption to these limits as defined in the Annexes of Directive 2000/53/EC (ELV). Regarding the REACH Regulation, the information TE provides on SVHC in articles for this part number is based on the latest European Chemicals Agency (ECHA) 'Guidance on requirements for substances in articles' posted at this URL: <https://echa.europa.eu/guidance-documents/guidance-on-reach>

## Compatible Parts

 <p>TE Part # 9-1415001-1 PT270L24</p>	 <p>TE Part # 4-1419111-1 PT270012</p>	 <p>TE Part # 5-1415539-3 PTML0060</p>	 <p>TE Part # 4-1419111-2 PT270024</p>
 <p>TE Part # 7-1415036-1 PTML0730</p>	 <p>TE Part # 5-1419111-1 PT270730</p>	 <p>TE Part # 1393154-3 PT280024</p>	 <p>TE Part # 2-1415526-1 PT17021</p>



Also in the Series | **SCHRACK Accessories Miniature Relay PT**

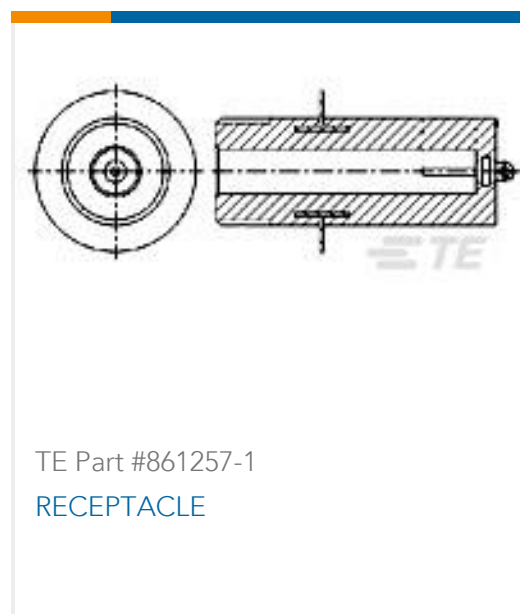


Customers Also Bought





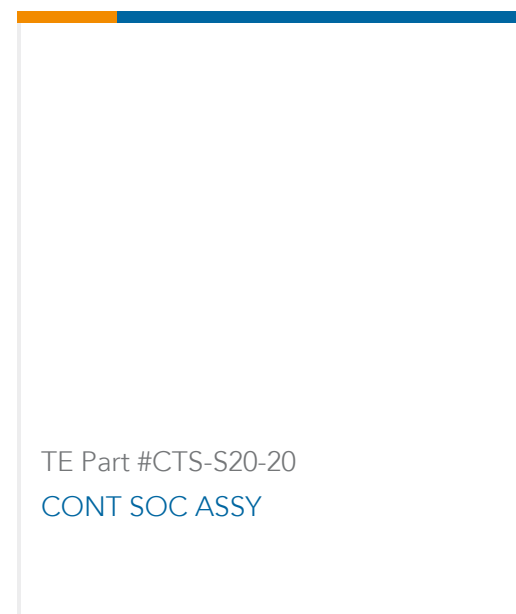
TE Part #2176093-5  
RP 2A 0.25W 10K 0.1% 25PPM 1K RL



TE Part #861257-1  
RECEPTACLE



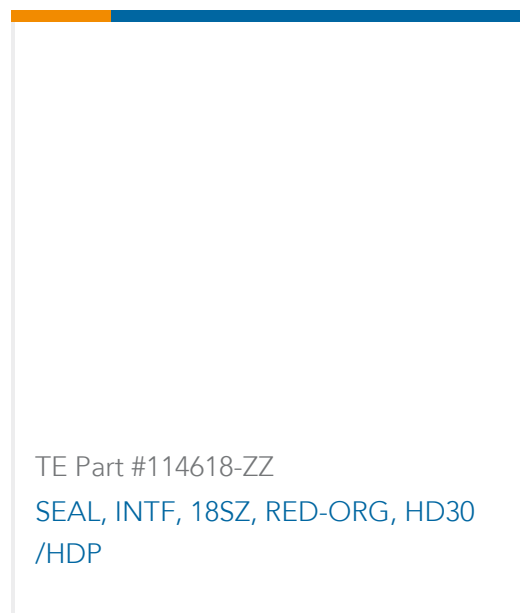
TE Part #869084-2  
LGH-1 LEAD ELECT MLD END



TE Part #CTS-S20-20  
CONT SOC ASSY



TE Part #063209-E  
SMCQ 26 M AB VV 3-03 CLHD \* H007  
137 E00



TE Part #114618-ZZ  
SEAL, INTF, 18SZ, RED-ORG, HD30  
/HDP

## Documents

### CAD Files

#### 3D PDF

3D

#### Customer View Model

[ENG\\_CVM\\_CVM\\_1860100-1\\_A1.2d\\_dxf.zip](#)

English

#### Customer View Model

[ENG\\_CVM\\_CVM\\_1860100-1\\_A1.3d\\_igs.zip](#)

English

#### Customer View Model

[ENG\\_CVM\\_CVM\\_1860100-1\\_A1.3d\\_stp.zip](#)

English

By downloading the CAD file I accept and agree to the [Terms and Conditions](#) of use.

### Datasheets & Catalog Pages

#### Accessories - Miniature Relay PT

English

### Product Specifications

#### Definitions General Purpose Relays

English

### Agency Approvals

[UKCA\\_CERT\\_708\\_00003\\_C1](#)

English

[UKCA\\_CERT\\_708\\_00013\\_C1](#)

English

