

185402-1 ✓ ACTIVE

TE Internal #: 185402-1

Module Components, Relay Holder, Micro Relay, 2 Relays
(Minimum), 10 Position, UL 94V-2, 3G, -40 – 185 °F [-40 – 85 °C]

[View on TE.com >](#)



Connectors > Automotive Connectors > Power Distribution Boxes > Module Components



Component Type: **Relay Holder**

Compatible With Relay Type: **Micro Relay**

Number of Relays (Minimum): **2**

Number of Positions: **10**

Primary Locking Feature: **Locking Lance**

Features

Product Type Features

Component Type	Relay Holder
Compatible With Relay Type	Micro Relay
Primary Locking Feature	Locking Lance

Configuration Features

Number of Relays (Minimum)	2
Number of Positions	10

Electrical Characteristics

Operating Voltage	12 V
Nominal Voltage Architecture	12 V

Body Features

Secondary Locking	No
-------------------	----

Usage Conditions

Operating Temperature Range	-40 – 85 °C[-40 – 185 °F]
-----------------------------	---------------------------

Operation/Application

Vibration Class Level	3G
-----------------------	----

Industry Standards

UL Flammability Rating	UL 94V-2
------------------------	----------

Other

--	--



Coupling With Other TE Modules	Yes
--------------------------------	-----

Product Compliance

[For compliance documentation, visit the product page on TE.com>](#)

EU RoHS Directive 2011/65/EU	Compliant
EU ELV Directive 2000/53/EC	Compliant
China RoHS 2 Directive MIIT Order No 32, 2016	No Restricted Materials Above Threshold
EU REACH Regulation (EC) No. 1907/2006	Current ECHA Candidate List: JUNE 2023 (235) Candidate List Declared Against: JUNE 2023 (235) Does not contain REACH SVHC
Halogen Content	Low Halogen - Br, Cl, F, I < 900 ppm per homogenous material. Also BFR/CFR/PVC Free
Solder Process Capability	Not reviewed for solder process capability

Product Compliance Disclaimer

This information is provided based on reasonable inquiry of our suppliers and represents our current actual knowledge based on the information they provided. This information is subject to change. The part numbers that TE has identified as EU RoHS compliant have a maximum concentration of 0.1% by weight in homogenous materials for lead, hexavalent chromium, mercury, PBB, PBDE, DBP, BBP, DEHP, DIBP, and 0.01% for cadmium, or qualify for an exemption to these limits as defined in the Annexes of Directive 2011/65/EU (RoHS2). Finished electrical and electronic equipment products will be CE marked as required by Directive 2011/65/EU. Components may not be CE marked. Additionally, the part numbers that TE has identified as EU ELV compliant have a maximum concentration of 0.1% by weight in homogenous materials for lead, hexavalent chromium, and mercury, and 0.01% for cadmium, or qualify for an exemption to these limits as defined in the Annexes of Directive 2000/53/EC (ELV). Regarding the REACH Regulation, the information TE provides on SVHC in articles for this part number is based on the latest European Chemicals Agency (ECHA) 'Guidance on requirements for substances in articles' posted at this URL: <https://echa.europa.eu/guidance-documents/guidance-on-reach>

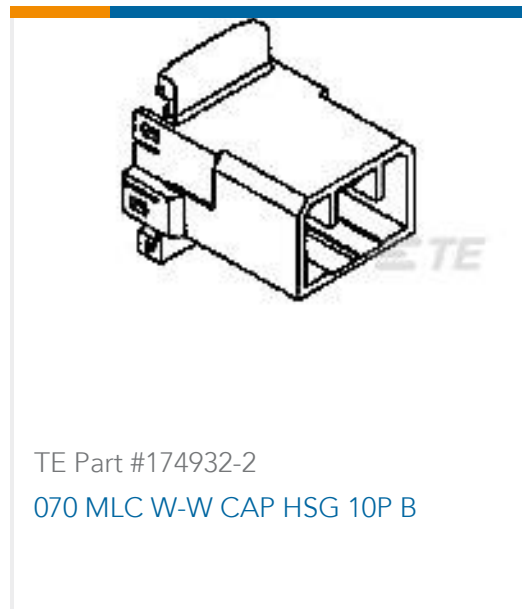
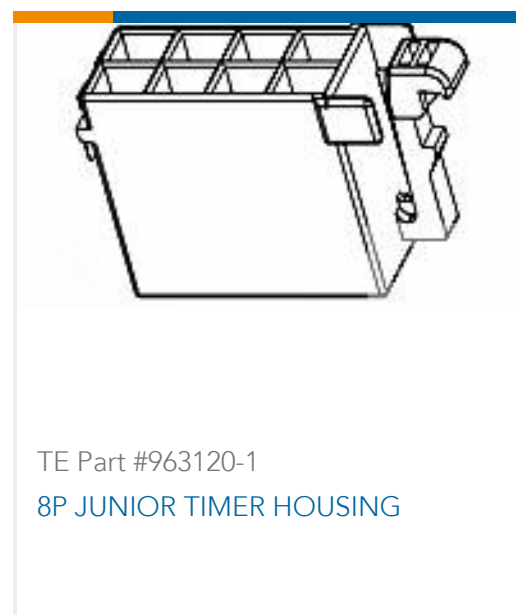
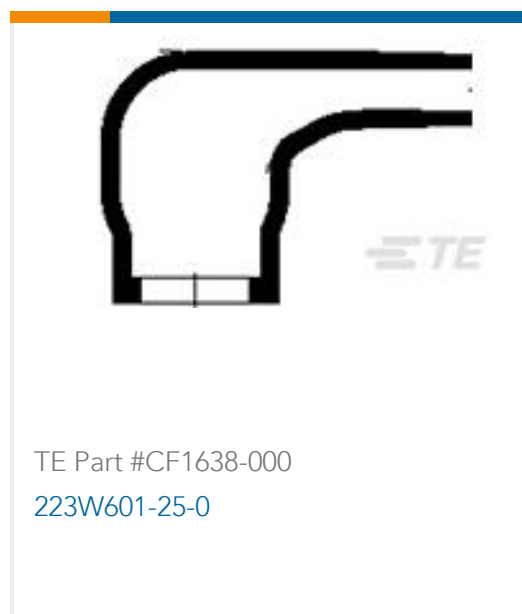
Compatible Parts

TE Part # CAT-T4827-T273
TIMER, RECEPTACLE AND TAB

TE Part # 953653-2
HOLDER GUIDE FOR RELAY

TE Part # 144432-1
JPT F REC 2.8 Contact SRC Sn

Customers Also Bought



Documents

Product Drawings

MODULAR RELAY HOLDER

English

CAD Files

Customer View Model

[ENG_CVM_CVM_185402-1_D.2d_dxf.zip](#)

English

3D PDF

3D

Customer View Model

[ENG_CVM_CVM_185402-1_D.3d_igs.zip](#)

English

Customer View Model

[ENG_CVM_CVM_185402-1_D.3d_stp.zip](#)

English

By downloading the CAD file I accept and agree to the [Terms and Conditions](#) of use.

Product Specifications



Product Specification

French

Instruction Sheets

Le Cablage Des Modules Unitaires 2 Micro-Relais Et 5 + 4 Voies

English

Instruction Sheet (non U.S.)

English

Preconisation de Controle du Module Support Micro

English

Instruction Sheet (non U.S.)

English