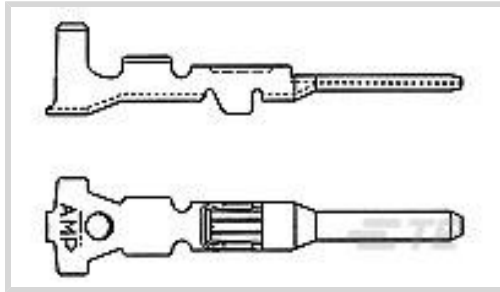




Terminals & Splices > Automotive Terminals > AMP SUPERSEAL 1.5MM, RECEPTACLE AND TAB



Terminal Type: **Tab**

Mating Tab Width: **1.5 mm [.059 in]**

Mating Tab Thickness: **.8 mm [.031 in]**

Terminal Transmits: **0 – 24 A (Low Power)**

Wire Size: **18 – 15 AWG**

[All AMP SUPERSEAL 1.5MM, RECEPTACLE AND TAB \(17\)](#)

## Features

### Product Type Features

|                         |            |
|-------------------------|------------|
| Sealable                | Yes        |
| Primary Locking Feature | Clean Body |

### Body Features

|                    |                        |
|--------------------|------------------------|
| Terminal Seal Type | Single Wire Seal (SWS) |
|--------------------|------------------------|

### Contact Features

|  |                  |
|--|------------------|
| Contact Size                                   | 1.5mm            |
| Contact Fabrication                            | Stamped & Formed |
| Wire Contact Termination Area Plating Material | Tin              |
| Typical Current Rating                         | 14 A             |
| Crimp Type                                     | F-Crimp          |
| Terminal Type                                  | Tab              |
| Mating Tab Width                               | 1.5 mm [.059 in] |
| Mating Tab Thickness                           | .8 mm [.031 in]  |
| Interface Plating                              | Tin (Sn)         |

### Termination Features

|                                    |       |
|------------------------------------|-------|
| Termination Method to Wire & Cable | Crimp |
| Product Terminates To              | Wire  |



### Dimensions

|                                      |                                |
|--------------------------------------|--------------------------------|
| Compatible Insulation Diameter Range | 1.7 – 2.4 mm [.071 – .13 in]   |
| Wire Size                            | .75 – 1.5 mm <sup>2</sup>      |
| Wire Size Search                     | 15 AWG, 16 AWG, 17 AWG, 18 AWG |

### Usage Conditions

|                             |  |
|-----------------------------|--|
| Insulation Option           | Uninsulated  |
| Operating Temperature (Max) | 80 °C, 85 °C, 90 °C, 100 °C, 105 °C, 110 °C, 120 °C, 125 °C [176 °F][185 °F][194 °F][212 °F][221 °F][230 °F][248 °F][257 °F] |
| Operating Temperature Range | -40 – 125 °C [-40 – 257 °F]  |

### Operation/Application

|                                    |        |
|------------------------------------|--------|
| Compatible With Wire Base Material | Copper |
|------------------------------------|--------|

### Packaging Features

|                    |      |
|--------------------|------|
| Packaging Quantity | 5000 |
| Packaging Method   | Bag  |

### Other

|                    |                      |
|--------------------|----------------------|
| Terminal Transmits | 0 – 24 A (Low Power) |
|--------------------|----------------------|

### Product Compliance

[For compliance documentation, visit the product page on TE.com>](#)

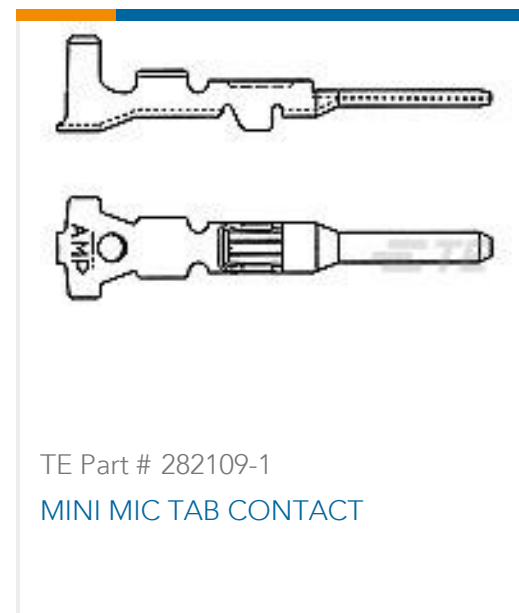
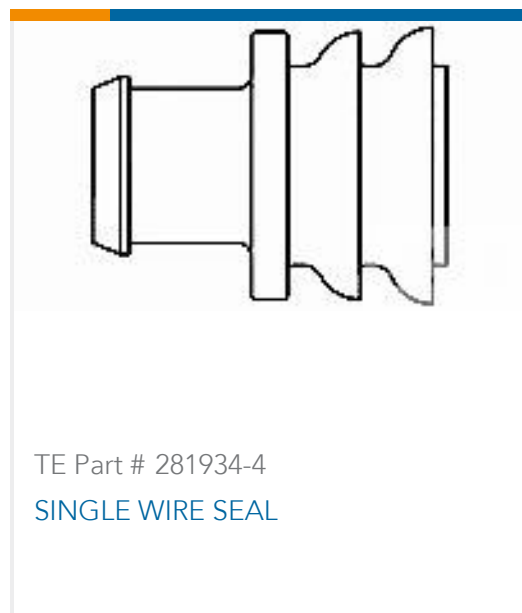
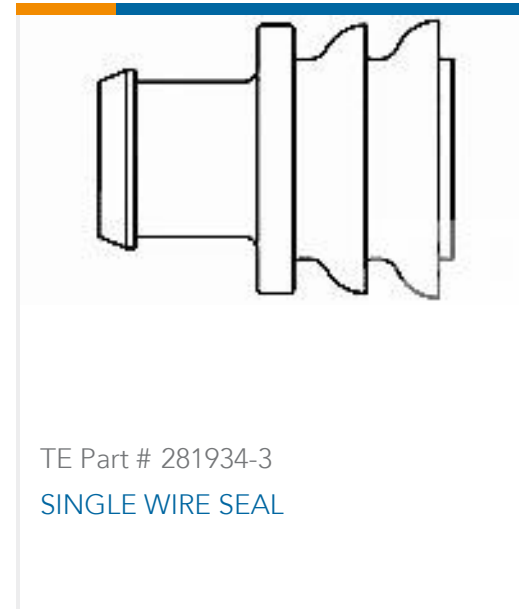
|   |   |
|---|---|
| EU RoHS Directive 2011/65/EU                  | Compliant   |
| EU ELV Directive 2000/53/EC                   | Compliant   |
| China RoHS 2 Directive MIIT Order No 32, 2016 | No Restricted Materials Above Threshold   |
| EU REACH Regulation (EC) No. 1907/2006        | Current ECHA Candidate List: JUNE 2023 (235)<br>Candidate List Declared Against: JUNE 2023 (235)<br>Does not contain REACH SVHC |
| Halogen Content                               | Low Halogen - Br, Cl, F, I < 900 ppm per homogenous material. Also BFR/CFR/PVC Free   |
| Solder Process Capability                     | Not applicable for solder process capability  |

#### Product Compliance Disclaimer

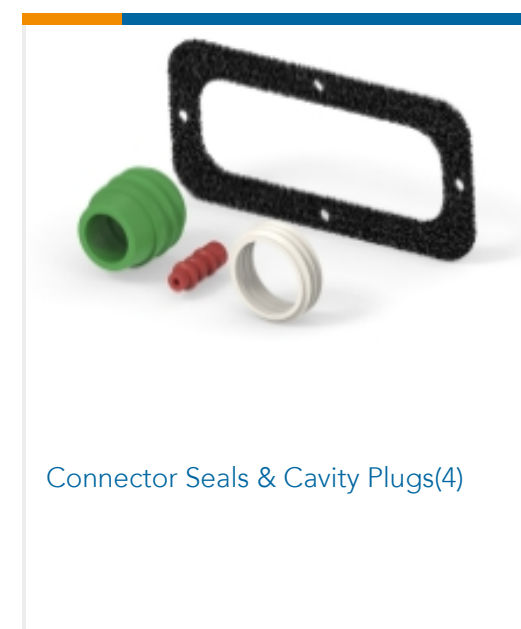
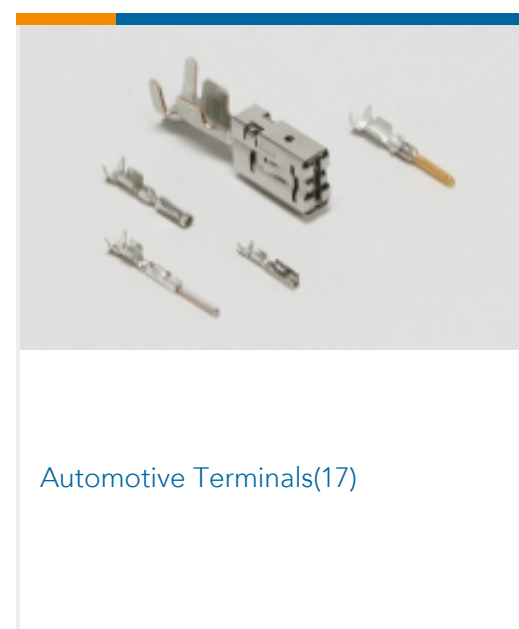
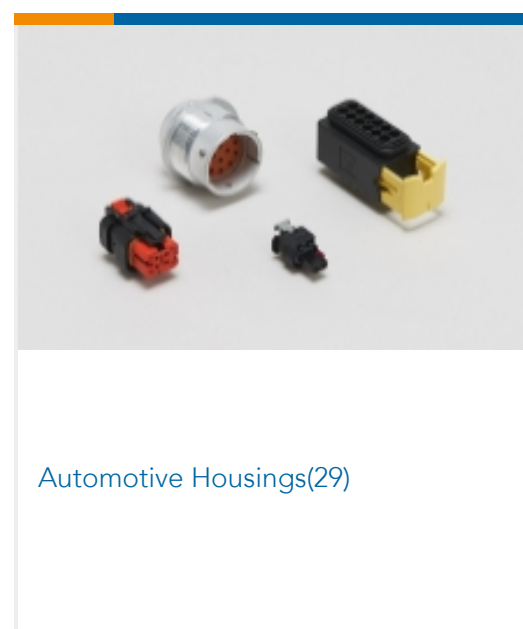
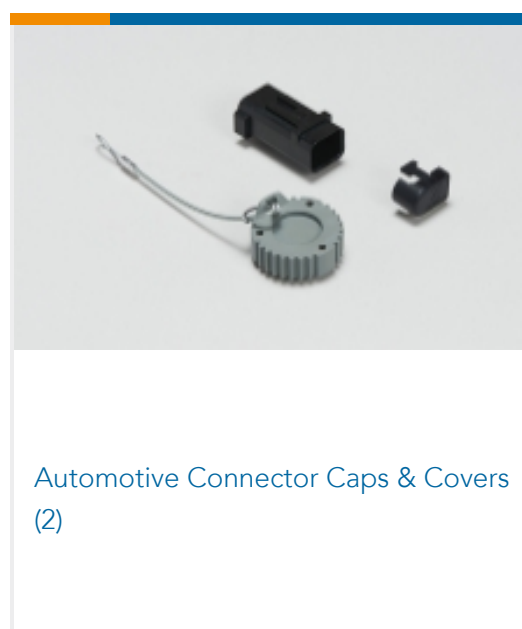
This information is provided based on reasonable inquiry of our suppliers and represents our current actual knowledge based on the information they provided. This information is subject to change. The part numbers that TE has identified as

EU RoHS compliant have a maximum concentration of 0.1% by weight in homogenous materials for lead, hexavalent chromium, mercury, PBB, PBDE, DBP, BBP, DEHP, DIBP, and 0.01% for cadmium, or qualify for an exemption to these limits as defined in the Annexes of Directive 2011/65/EU (RoHS2). Finished electrical and electronic equipment products will be CE marked as required by Directive 2011/65/EU. Components may not be CE marked. Additionally, the part numbers that TE has identified as EU ELV compliant have a maximum concentration of 0.1% by weight in homogenous materials for lead, hexavalent chromium, and mercury, and 0.01% for cadmium, or qualify for an exemption to these limits as defined in the Annexes of Directive 2000/53/EC (ELV). Regarding the REACH Regulation, the information TE provides on SVHC in articles for this part number is based on the latest European Chemicals Agency (ECHA) 'Guidance on requirements for substances in articles' posted at this URL: <https://echa.europa.eu/guidance-documents/guidance-on-reach>

## Compatible Parts

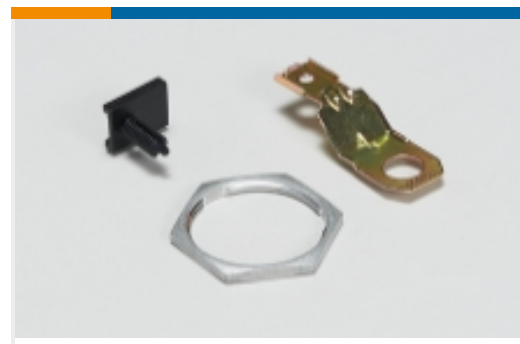


## Also in the Series | AMP Superseal 1.5mm Series





Insertion &amp; Extraction Tools(3)

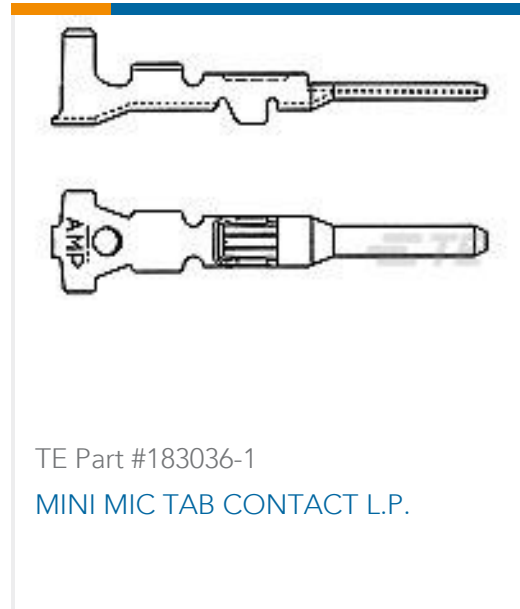


Other Automotive Connector Accessories(2)

## Customers Also Bought



TE Part #282108-1  
AMP SUPERSEAL 1.5MM,  
CONNECTOR HOUSING



TE Part #183036-1  
MINI MIC TAB CONTACT L.P.



TE Part #965180  
4 WAY FASTIN-ON 250 HSG TAB  
PA66 NAT

## Documents

### Product Drawings

#### MINI MIC TAB L.P.

English

### CAD Files

#### Customer View Model

[ENG\\_CVM\\_183024-1\\_C.3d\\_igs.zip](#)

English

#### Customer View Model

[ENG\\_CVM\\_183024-1\\_C.3d\\_stp.zip](#)

English

#### Customer View Model

[ENG\\_CVM\\_183024-1\\_C.2d\\_dxf.zip](#)

English

### 3D PDF

English

By downloading the CAD file I accept and agree to the [Terms and Conditions](#) of use.

### Datasheets & Catalog Pages

#### AMP SUPERSEAL 1.5mm Connector System

English

#### ICT Terminals and Connectors Catalogue

English

### Product Specifications

#### Product Specification



English

---

**Instruction Sheets**

**Hand application tool P/N 785353-1**

English

**Instruction Sheet (non U.S.)**

English