

1828618-2 ✓ ACTIVE

FullAXS | FullAXS LC

TE Internal #: 1828618-2

ODVA LC Connectors, Connector, Singlemode, Plug, Duplex,
FullAXS LC

[View on TE.com >](#)



Fiber Optics > Fiber Optic Connectors > Rugged Fiber Connectors > ODVA LC Connectors



Fiber Optic Product Type: **Connector**

Fiber Optic Mode: **Singlemode**

Connector & Housing Type: **Plug**

Data Transmission Mode: **Duplex**

Features

Product Type Features

Fiber Optic Product Type	Connector
Fiber Optic Mode	Singlemode
Connector & Housing Type	Plug
Data Transmission Mode	Duplex

Housing Features

Housing Color	Black
---------------	-------

Product Compliance

[For compliance documentation, visit the product page on TE.com>](#)

EU RoHS Directive 2011/65/EU	Compliant
EU ELV Directive 2000/53/EC	Compliant
China RoHS 2 Directive MIIT Order No 32, 2016	No Restricted Materials Above Threshold
EU REACH Regulation (EC) No. 1907/2006	Current ECHA Candidate List: JUNE 2023 (235) Candidate List Declared Against: JAN 2021 (211) Does not contain REACH SVHC
Halogen Content	Not Low Halogen - contains Br or Cl > 900 ppm.
Solder Process Capability	Not applicable for solder process capability

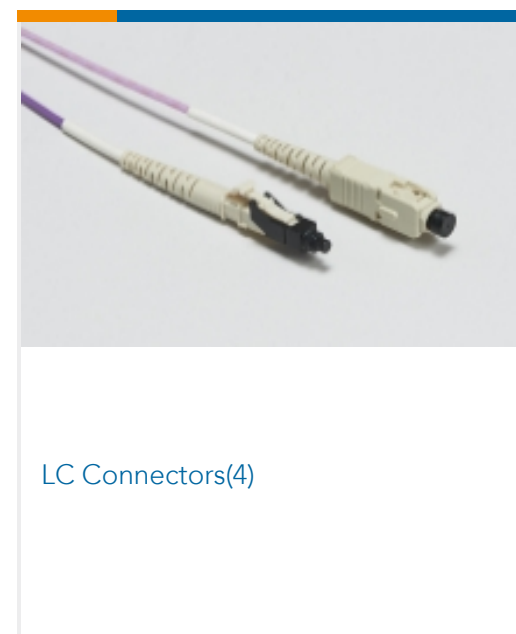
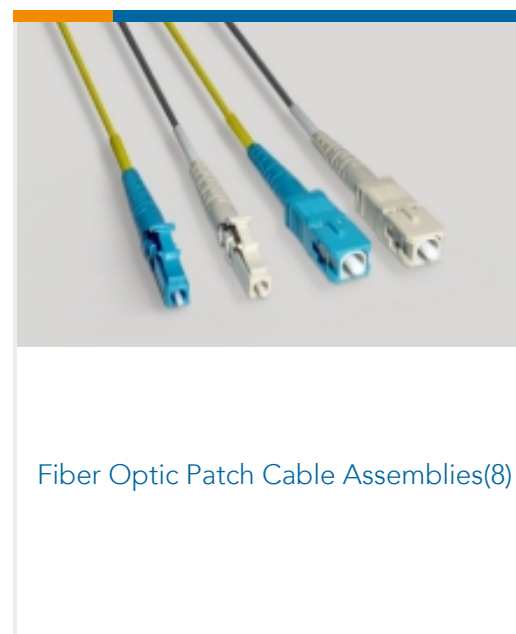
Product Compliance Disclaimer

This information is provided based on reasonable inquiry of our suppliers and represents our current actual knowledge based on the information they provided. This information is subject to change. The part numbers that TE has identified as EU RoHS compliant have a maximum concentration of 0.1% by weight in homogenous materials for lead, hexavalent chromium, mercury, PBB, PBDE, DBP, BBP, DEHP, DIBP, and 0.01% for cadmium, or qualify for an exemption to these limits as defined in the Annexes of Directive 2011/65/EU (RoHS2). Finished electrical and electronic equipment products will be CE marked as required by Directive 2011/65/EU. Components may not be CE marked. Additionally, the part numbers that TE has identified as EU ELV compliant have a maximum concentration of 0.1% by weight in homogenous materials for lead, hexavalent chromium, and mercury, and 0.01% for cadmium, or qualify for an exemption to these limits as defined in the Annexes of Directive 2000/53/EC (ELV). Regarding the REACH Regulation, the information TE provides on SVHC in articles for this part number is based on the latest European Chemicals Agency (ECHA) 'Guidance on requirements for substances in articles' posted at this URL: <https://echa.europa.eu/guidance-documents/guidance-on-reach>

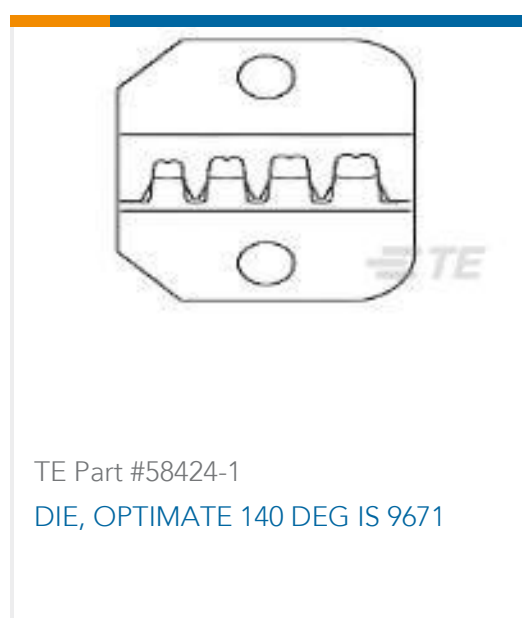
Compatible Parts



Also in the Series | FullAXS LC



Customers Also Bought



Documents

Product Drawings

[KIT,PLUG,LC,ODVA,SM](#)

English

CAD Files

Customer View Model

[ENG_CVM_1828618-2_A.3d_igs.zip](#)

English

Customer View Model

[ENG_CVM_1828618-2_A.3d_stp.zip](#)

English

Customer View Model

[ENG_CVM_1828618-2_A.2d_dxf.zip](#)

English

[3D PDF](#)

English

By downloading the CAD file I accept and agree to the [Terms and Conditions](#) of use.

Datasheets & Catalog Pages



INDUSTRIAL_ETHERNET_PRODUCTS

English

Rugged Fiber Optics

English

Product Specifications

Product Specification

English

Product Specification

English

Instruction Sheets

Instruction Sheet (U.S.)

English

Agency Approvals

UL Report

English