

1827855-1 ✓ ACTIVE



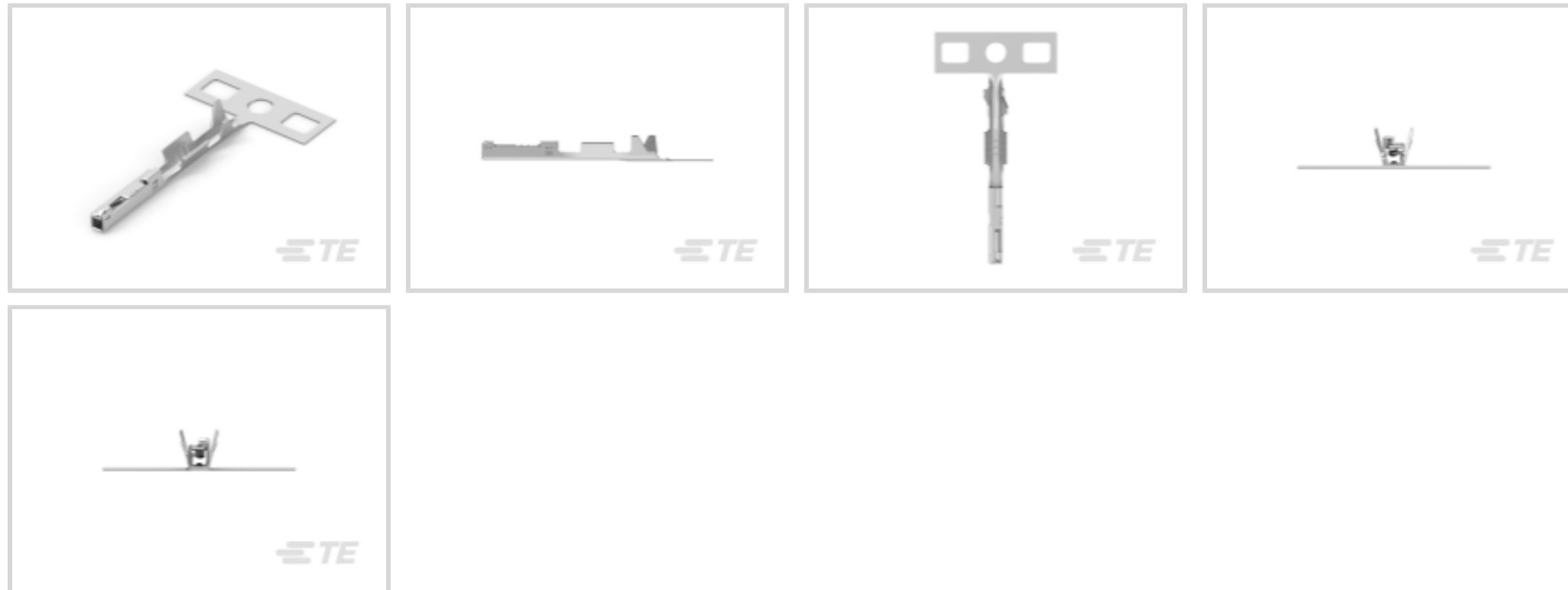
0.50 Connector System

TE Internal #: 1827855-1

Automotive Terminals, Receptacle, Mating Tab Width .5 mm [.02 in], Tab Thickness .4 mm [.016 in], 24 – 22 AWG Wire Size, 0.50 Connector System

[View on TE.com >](#)

Terminals & Splices > Automotive Terminals



Terminal Type: **Receptacle**

Mating Tab Width: .5 mm [.02 in]

Mating Tab Thickness: .4 mm [.016 in]

Terminal Transmits: 0 – 24 A (Low Power)

Wire Size: 24 – 22 AWG

Features

Product Type Features

Sealable	No
Primary Locking Feature	Clean Body

Contact Features

Contact Size	.5mm
Contact Fabrication	Stamped & Formed
Crimp Type	F-Crimp
Terminal Type	Receptacle
Mating Tab Width	.5 mm [.02 in]
Mating Tab Thickness	.4 mm [.016 in]
Interface Plating	Tin (Sn)

Termination Features

Termination Method to Wire & Cable	Crimp
Product Terminates To	Wire

Dimensions



Compatible Insulation Diameter Range	.95 – 1.2 mm [.037 – .047 in]
Wire Size	.22 – .35 mm ²
Wire Size Search	22 AWG, 23 AWG, 24 AWG

Usage Conditions

Insulation Option	Uninsulated
Operating Temperature (Max)	80 °C, 85 °C, 90 °C [176 °F][185 °F][194 °F]
Operating Temperature Range	-30 – 90 °C [-22 – 194 °F]

Operation/Application

Compatible With Wire Base Material	Copper
------------------------------------	--------

Packaging Features

Packaging Quantity	14500
Packaging Method	Reel

Other

Terminal Transmits	0 – 24 A (Low Power)
--------------------	----------------------

Product Compliance

[For compliance documentation, visit the product page on TE.com>](#)

EU RoHS Directive 2011/65/EU	Compliant
EU ELV Directive 2000/53/EC	Compliant
China RoHS 2 Directive MIIT Order No 32, 2016	No Restricted Materials Above Threshold
EU REACH Regulation (EC) No. 1907/2006	Current ECHA Candidate List: JUNE 2023 (235) Candidate List Declared Against: JUNE 2023 (235) Does not contain REACH SVHC
Halogen Content	Low Halogen - Br, Cl, F, I < 900 ppm per homogenous material. Also BFR/CFR/PVC Free
Solder Process Capability	Not reviewed for solder process capability

Product Compliance Disclaimer

This information is provided based on reasonable inquiry of our suppliers and represents our current actual knowledge based on the information they provided. This information is subject to change. The part numbers that TE has identified as EU RoHS compliant have a maximum concentration of 0.1% by weight in homogenous materials for lead, hexavalent chromium, mercury, PBB, PBDE, DBP, BBP, DEHP, DIBP, and 0.01% for cadmium, or qualify for an exemption to these limits as defined in the Annexes of Directive 2011/65/EU (RoHS2). Finished electrical and electronic equipment products will be CE marked as required by Directive 2011/65/EU. Components may not be CE marked. Additionally, the part numbers that TE has identified as EU ELV compliant have a maximum concentration of 0.1% by weight in homogenous

materials for lead, hexavalent chromium, and mercury, and 0.01% for cadmium, or qualify for an exemption to these limits as defined in the Annexes of Directive 2000/53/EC (ELV). Regarding the REACH Regulation, the information TE provides on SVHC in articles for this part number is based on the latest European Chemicals Agency (ECHA) 'Guidance on requirements for substances in articles' posted at this URL: <https://echa.europa.eu/guidance-documents/guidance-on-reach>

Compatible Parts

 <p>TE Part # CAT-MINH6642 Miniature Automotive I/O Headers</p>	 <p>TE Part # 2305570-1 Strip Terminal Cutter-Side Feed-No Crimp</p>	 <p>TE Part # CAT-A12-CH8172 0.50 CONNECTOR SYSTEM, CONNECTOR HOUSING</p>	 <p>TE Part # CAT-HPCH5372 High Pin Count Header</p>
 <p>TE Part # 1891600-1 EXTRACTION TOOL</p>	 <p>TE Part # 1554289-1 0.50 CONN 40P PLUG ASSY KEYING TYPE2</p>	 <p>TE Part # 2013031-2 0.50 SERIES 24POS PLUG ASSY</p>	 <p>TE Part # 2151147-1 OCEAN-2.0-APPLICATOR-S-042F042O</p>
 <p>TE Part # 2151147-2 OCEAN-2.0-APPLICATOR-S-042F042OA</p>	 <p>TE Part # 7-2151147-1 OCEAN-2.0-APPLICATOR-S-042F042O</p>	 <p>TE Part # 7-2151147-2 OCEAN-2.0-APPLICATOR-S-042F042OA</p>	 <p>TE Part # 7-2151147-7 OCEAN_2.0_SPARE_PART_KIT-042F042O</p>
 <p>TE Part # 2-2151147-1 OCEAN-2.0-APPLICATOR-S-042F042O</p>	 <p>TE Part # 2-2151147-2 OCEAN-2.0-APPLICATOR-S-042F042OA</p>		

Also in the Series | **0.50 Connector System**



Automotive Connector Caps & Covers (1)



Automotive Housings(28)



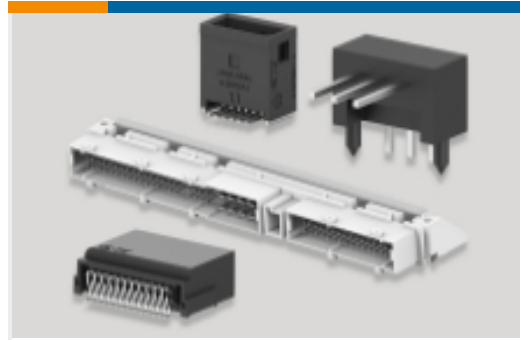
Automotive Terminals(9)



Connector Seals & Cavity Plugs(2)

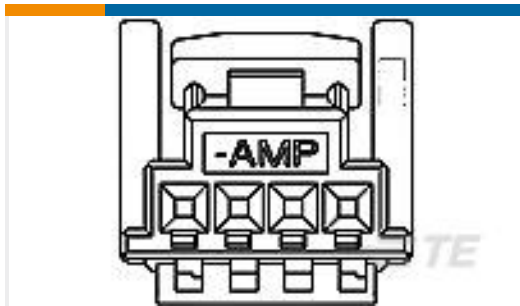


Insertion & Extraction Tools(1)

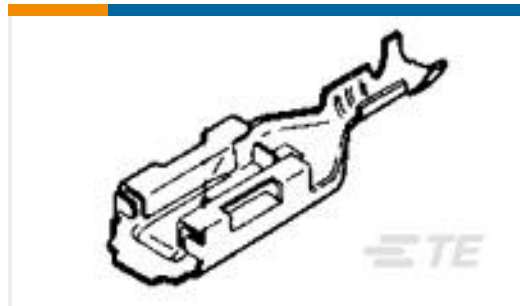


PCB Headers & Receptacles(15)

Customers Also Bought



TE Part #1473672-2
025 PLUG ASSY



TE Part #170452-1
PL 250 AM REC 22-20 AWG 0.406 X 21 BR



TE Part #1981341-2
2.3 UNSEALED TW REC.CONTACT



TE Part #1903611-4
0.50 SERIES CONN 12POS PLUG HOUSING ASSY



TE Part #1719656-1
FAKRA II,PLUG,FAKRA,RF SUBASSY



TE Part #1903608-4
0.50 SERIES CONN 12POS PLUG HOUSING ASSY



TE Part #2291354-1
PLUG SHELL BOTTOM, 0.50 HSL CONNECTOR



TE Part #2326889-2
COAX,SOC OTR TRMNL,180DEG



TE Part #2326889-1
COAX,SOC OTR TRMNL,180DEG



TE Part #2301724-6
16POS,060 SERIES,REC HSG,UNSLD

Documents



Product Drawings

0.50 SERIES CONNECTER RECEPTACLE CONTACT

English

0.50 SERIES CONNECTER RECEPTACLE CONTACT

Japanese

CAD Files

3D PDF

3D

Customer View Model

[ENG_CVM_CVM_1827855-1_B.2d_dxf.zip](#)

English

Customer View Model

[ENG_CVM_CVM_1827855-1_B.3d_igs.zip](#)

English

Customer View Model

[ENG_CVM_CVM_1827855-1_B.3d_stp.zip](#)

English

By downloading the CAD file I accept and agree to the [Terms and Conditions](#) of use.

Product Specifications

Application Specification

English

Application Specification

Japanese

Instruction Sheets

0.50/1.5 HYBRID SERIES UNSEALED CONNECTOR (SMT-TYPE)

English

Instruction Sheet (U.S.)

English