

182641-1 ✓ ACTIVE

AMP | AMP CPC

TE Internal #: 182641-1

Circular Power Connectors, Housing, 600 VDC, Wire-to-Wire, 14 Position, Wire & Cable, Receptacle, Reverse Gender, Socket, Power & Signal, AMP CPC

[View on TE.com >](#)



Connectors > Power Connectors > Circular Power > Circular Power Connectors > CPC EMEA



Connector Product Type: **Housing**

Operating Voltage: **600 VDC**

Connector System: **Wire-to-Wire**

Number of Positions: **14**

Sealable: **No**

[All CPC EMEA \(21\)](#)

Features

Product Type Features

| | |
|-----------------------------------|--------------|
| Connector Product Type | Housing |
| Connector System | Wire-to-Wire |
| Sealable | No |
| Connector & Contact Terminates To | Wire & Cable |
| Connector & Housing Type | Receptacle |
| Circular Connector Shell Type | All Plastic |

Configuration Features

| | |
|----------------------------|---------|
| Reverse Numbering | Without |
| Number of Positions | 14 |
| Number of Power Positions | 0 |
| Number of Signal Positions | 14 |

Electrical Characteristics



| | |
|-------------------|---------|
| Operating Voltage | 600 VAC |
|-------------------|---------|

Contact Features

| | |
|--------------------|--------|
| Reverse Gender | Yes |
| Contact Type | Socket |
| Contact Protection | With |

Mechanical Attachment

| | |
|--------------------------|----------------------------|
| Mating Alignment Type | Keyed |
| Mating Alignment | With |
| Panel Mount Feature Type | Flange with Mounting Holes |
| Mating Retention Type | Threaded Coupling |
| Thread Size | 15/16-20 UNEF – 2A |
| Connector Mounting Type | Panel Mount |
| Mating Retention | With |
| Panel Mount Feature | With |

Housing Features

| | |
|-------------------------------|---------------|
| Body Orientation | Straight |
| Housing Color | Black |
| Housing Material | Thermoplastic |
| Circular Connector Shell Size | 17 |

Usage Conditions

| | |
|-----------------------------|----------------------------|
| Operating Temperature Range | -55 – 105 °C[-67 – 221 °F] |
| Fluid Resistance | None |

Operation/Application

| | |
|---------------------|----------------|
| Circuit Application | Power & Signal |
| Shielded | No |

Industry Standards

| | |
|------------------------|-----------|
| CSA Rating | Certified |
| UL Flammability Rating | UL 94V-0 |

Packaging Features

| | |
|--------------------|-----|
| Packaging Quantity | 25 |
| Packaging Method | Bag |

Product Compliance

[For compliance documentation, visit the product page on TE.com>](#)

| | |
|---|---|
| EU RoHS Directive 2011/65/EU | Compliant |
| EU ELV Directive 2000/53/EC | Compliant |
| China RoHS 2 Directive MIIT Order No 32, 2016 | No Restricted Materials Above Threshold |
| EU REACH Regulation (EC) No. 1907/2006 | Current ECHA Candidate List: JUNE 2023 (235) Candidate List Declared Against: JUNE 2022 (224) Does not contain REACH SVHC |
| Halogen Content | Low Halogen - Br, Cl, F, I < 900 ppm per homogenous material. Also BFR/CFR/PVC Free |
| Solder Process Capability | Not applicable for solder process capability |

Product Compliance Disclaimer

This information is provided based on reasonable inquiry of our suppliers and represents our current actual knowledge based on the information they provided. This information is subject to change. The part numbers that TE has identified as EU RoHS compliant have a maximum concentration of 0.1% by weight in homogenous materials for lead, hexavalent chromium, mercury, PBB, PBDE, DBP, BBP, DEHP, DIBP, and 0.01% for cadmium, or qualify for an exemption to these limits as defined in the Annexes of Directive 2011/65/EU (RoHS2). Finished electrical and electronic equipment products will be CE marked as required by Directive 2011/65/EU. Components may not be CE marked. Additionally, the part numbers that TE has identified as EU ELV compliant have a maximum concentration of 0.1% by weight in homogenous materials for lead, hexavalent chromium, and mercury, and 0.01% for cadmium, or qualify for an exemption to these limits as defined in the Annexes of Directive 2000/53/EC (ELV). Regarding the REACH Regulation, the information TE provides on SVHC in articles for this part number is based on the latest European Chemicals Agency (ECHA) 'Guidance on requirements for substances in articles' posted at this URL: <https://echa.europa.eu/guidance-documents/guidance-on-reach>

Compatible Parts



Also in the Series | [AMP CPC](#)



Circular Connector Adapters(7)



Circular Connector Caps & Covers(16)



Circular Connector Hardware(3)



Circular Connector Keying Plugs(2)



Circular Power Connectors(458)



Connector Backshells(56)



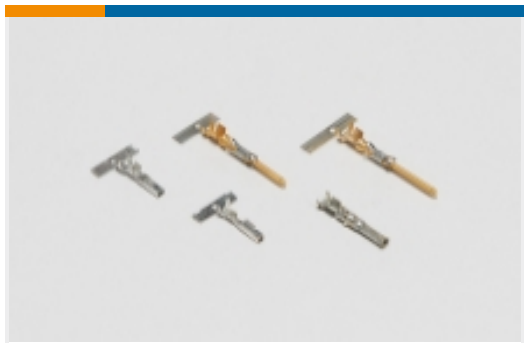
Connector Seals & Cavity Plugs(36)



Connector Strain Relief(6)



Insertion & Extraction Tools(1)

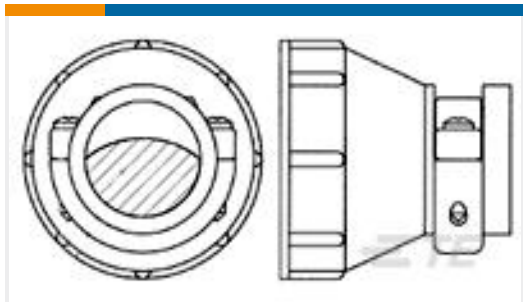


Power Contacts(6)



Sealing Sleeves(2)

Customers Also Bought



TE Part #182655-1
17 SIZE CPC STD CLAMP



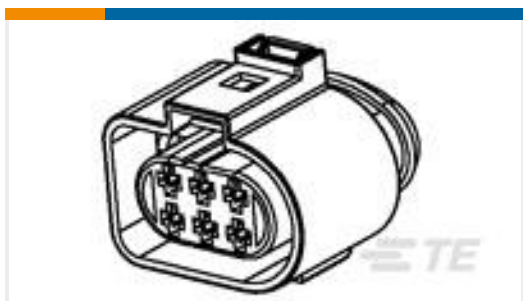
TE Part #182920-1
CPC SQ FL. RCPT REV SEX



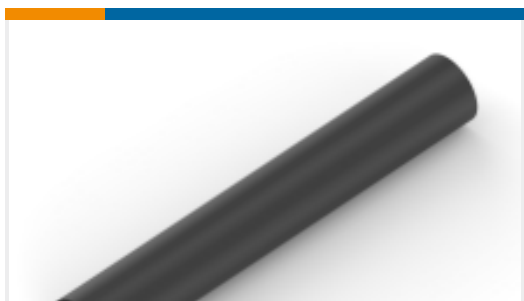
TE Part #1-1418362-3
62 POS MIXED HEADER CODA



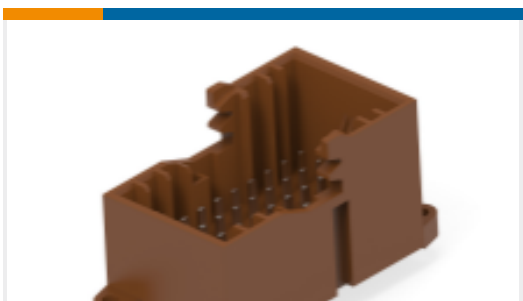
TE Part #967618-2
Signal Header



TE Part #936142-1
JPT SEALED PLUG 6P ASSY(UEGO)



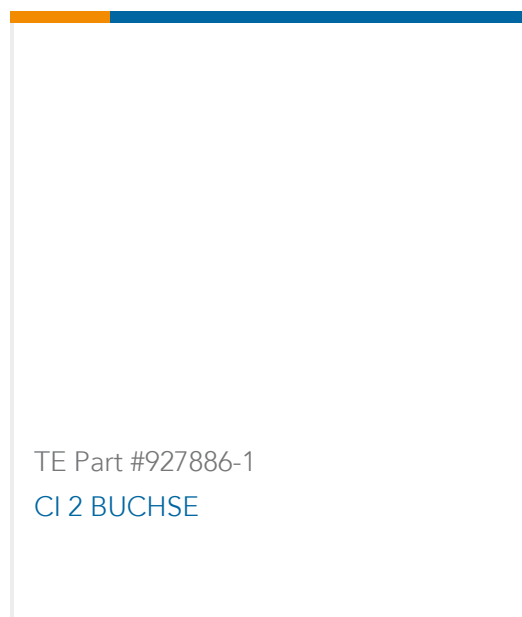
TE Part #NB11076001
ATUM-40/13-0-120MM



TE Part #1-1670615-1
36POS,MIXED,HEADER ASSY,CONV.
KIT 25POS



TE Part #6-2176375-1
RQ 0805 4K87 0.1% 10PPM 1K RL



Documents

Product Drawings

17-14 CPC SQ FLANGE RECPT RS

English

CAD Files

3D PDF

3D

Customer View Model

[ENG_CVM_CVM_182641-1_M.2d_dxf.zip](#)

English

Customer View Model

[ENG_CVM_CVM_182641-1_M.3d_igs.zip](#)

English

Customer View Model

[ENG_CVM_CVM_182641-1_M.3d_stp.zip](#)

English

By downloading the CAD file I accept and agree to the [Terms and Conditions](#) of use.

Product Environmental Compliance

TE Material Declaration

English

Agency Approvals

UL Report

English