

MSP103C204 ✓ ACTIVE

Alcoswitch | Alcoswitch MSP3

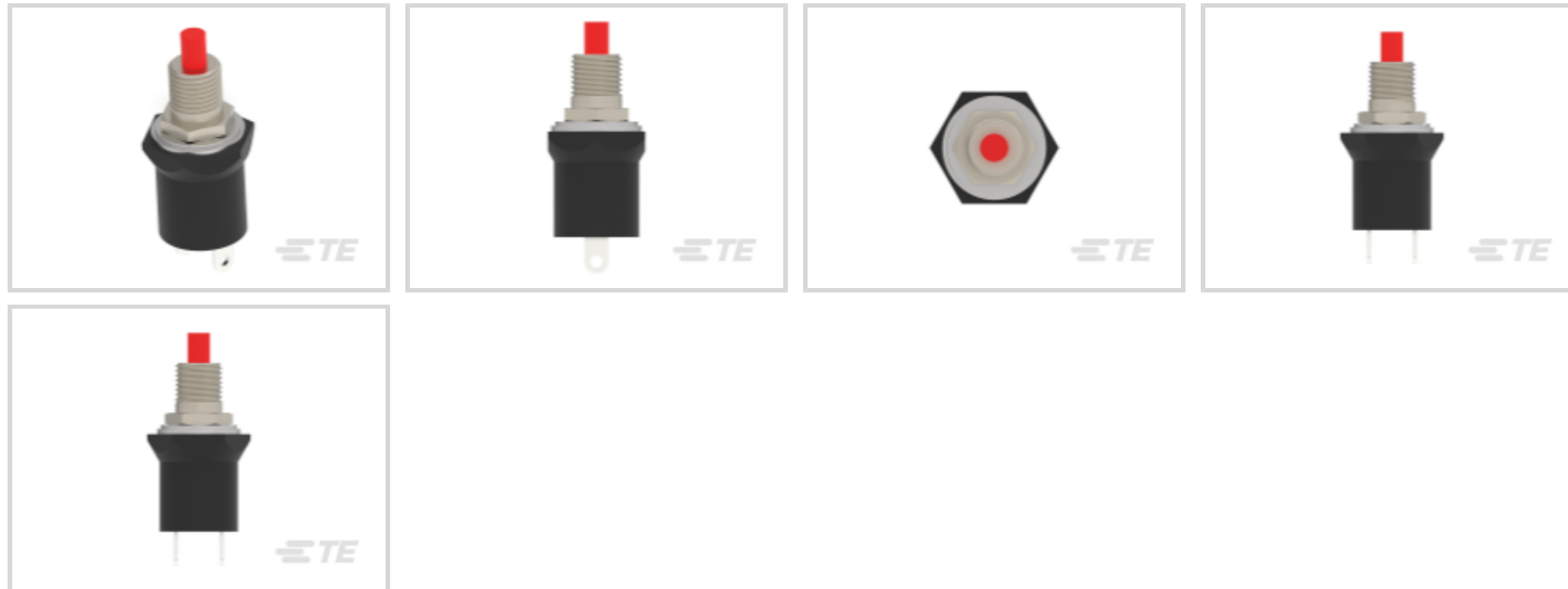
TE Internal #: 1825516-4

Push Button Switches, Single Pole - Single Throw Configuration (Pole-Throw), Switch, Single Actuator, Extended Actuator Profile, Alcoswitch MSP3

[View on TE.com >](#)



Relays, Contactors & Switches > Switches > Push Button Switches



Configuration (Pole-Throw): **Single Pole - Single Throw**

Push Button Switch Product Type: **Switch**

Number of Actuators: **Single**

Actuator Profile: **Extended**

Bushing Style: **Threaded**

Features

Product Type Features

| | |
|---------------------------------|------------|
| Switch Type | Pushbutton |
| Dust Proof | No |
| Push Button Switch Product Type | Switch |
| Illuminated | No |
| Actuator Style | Round |

Configuration Features

| | |
|----------------------------|----------------------------|
| ESD Grounding Terminal | Without |
| Ganged | No |
| | .253 in |
| Configuration (Pole-Throw) | Single Pole - Single Throw |
| Number of Actuators | Single |
| Snap Action | Without |
| Support Bracket | Without |
| Tactile | No |



| | |
|--------------------|---------------|
| Operating Function | NO, Momentary |
|--------------------|---------------|

Electrical Characteristics

| | |
|-----------------------------------|---------|
| Push Button Switch Voltage Rating | 125 VAC |
|-----------------------------------|---------|

Body Features

| | |
|---------------|--------------|
| Case Material | Phenol Resin |
|---------------|--------------|

| | |
|-------------------|---------------|
| Actuator Material | Thermoplastic |
|-------------------|---------------|

| | |
|------------------|----------|
| Actuator Profile | Extended |
|------------------|----------|

| | |
|---------------|----------|
| Bushing Style | Threaded |
|---------------|----------|

| | |
|---------------------|--------|
| Bushing Thread Size | 1/4-40 |
|---------------------|--------|

| | |
|----------------|-----|
| Actuator Color | Red |
|----------------|-----|

Contact Features

| | |
|-----------------------|--------------|
| Contact Base Material | Copper Alloy |
|-----------------------|--------------|

| | |
|---|-----|
| Push Button Switch Contact Current Rating | 3 A |
|---|-----|

| | |
|---------------------------------|--------|
| Switch Contact Plating Material | Silver |
|---------------------------------|--------|

Termination Features

| | |
|------------------|-----------|
| Termination Type | Wire Lugs |
|------------------|-----------|

Mechanical Attachment

| | |
|----------------|----------|
| Mounting Angle | Vertical |
|----------------|----------|

| | |
|-------------|---------------|
| Thread Size | 1/4-40 UNS-2A |
|-------------|---------------|

| | |
|----------------------------------|-------|
| Push Button Switch Mounting Type | Panel |
|----------------------------------|-------|

Housing Features

| | |
|-------------|----|
| Low Profile | No |
|-------------|----|

| | |
|----------------|----|
| Process Sealed | No |
|----------------|----|

Dimensions

| | |
|-----------------|-----------------|
| Actuator Length | 2.5 mm[.098 in] |
|-----------------|-----------------|

| | |
|--------------|------------------|
| Button Width | 3.98 mm[.157 in] |
|--------------|------------------|

| | |
|----------------|------------------|
| Bushing Length | 5.94 mm[.234 in] |
|----------------|------------------|

Usage Conditions

| | |
|--------------------|----------|
| Temperature Rating | Standard |
|--------------------|----------|

Packaging Features

| | |
|------------------|------|
| Packaging Method | Bulk |
|------------------|------|

Product Compliance

[For compliance documentation, visit the product page on TE.com>](#)

| | |
|---|---|
| EU RoHS Directive 2011/65/EU | Compliant |
| EU ELV Directive 2000/53/EC | Compliant with Exemptions |
| China RoHS 2 Directive MIIT Order No 32, 2016 | No Restricted Materials Above Threshold |
| EU REACH Regulation (EC) No. 1907/2006 | Current ECHA Candidate List: JUNE 2023 (235) Candidate List Declared Against: JUNE 2022 (224) SVHC > Threshold: Pb (.6% in Component Part) Article Safe Usage Statements: Do not eat, drink or smoke when using this product. Wash thoroughly after handling. Recycle if possible and dispose of the article by following all applicable governmental regulations relevant to your geographic location. |
| Halogen Content | Not Low Halogen - contains Br or Cl > 900 ppm. |
| Solder Process Capability | Hand solderable with lead free solder |

Product Compliance Disclaimer

This information is provided based on reasonable inquiry of our suppliers and represents our current actual knowledge based on the information they provided. This information is subject to change. The part numbers that TE has identified as EU RoHS compliant have a maximum concentration of 0.1% by weight in homogenous materials for lead, hexavalent chromium, mercury, PBB, PBDE, DBP, BBP, DEHP, DIBP, and 0.01% for cadmium, or qualify for an exemption to these limits as defined in the Annexes of Directive 2011/65/EU (RoHS2). Finished electrical and electronic equipment products will be CE marked as required by Directive 2011/65/EU. Components may not be CE marked. Additionally, the part numbers that TE has identified as EU ELV compliant have a maximum concentration of 0.1% by weight in homogenous materials for lead, hexavalent chromium, and mercury, and 0.01% for cadmium, or qualify for an exemption to these limits as defined in the Annexes of Directive 2000/53/EC (ELV). Regarding the REACH Regulation, the information TE provides on SVHC in articles for this part number is based on the latest European Chemicals Agency (ECHA) 'Guidance on requirements for substances in articles' posted at this URL: <https://echa.europa.eu/guidance-documents/guidance-on-reach>

Compatible Parts

| | | | |
|--|---|--|--|
|  <p>TE Part # 1825516-1 MSP103B04</p> |  <p>TE Part # 1825516-3 MSP103C004</p> |  <p>TE Part # 1825516-2 MSP103C04</p> |  <p>TE Part # 1825333-2 MSP103C0G04 Pushbutton switch</p> |
|--|---|--|--|

Also in the Series | [Alcoswitch MSP3](#)



Push Button Switches(4)

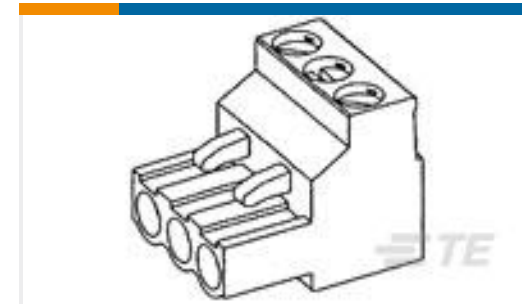
Customers Also Bought



TE Part #3-644456-6
06P MTA100 HDR ASSY (NARROW)



TE Part #3-641238-2
Nylon Gold Plated Receptacle: 2.54 mm, no Mating Alignment



TE Part #796634-3
3 POS 5.08MM R/A PLUG, TRM BLK



TE Part #50832
TERMINAL, PIDG PTFE R 22-20 8



TE Part #50832-1
TERMINAL, PIDG PTFE R 22-20 10



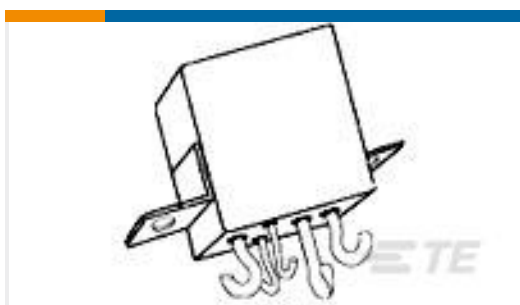
TE Part #3-2176238-5
CPF A 0805 1K5 0.1% 25PPM 5K RL



TE Part #621065-000
D-142-65



TE Part #5531216-2
T/SPRING LP



TE Part #3-1617748-4
FCA-125-3=M6106/19-003

Documents

Product Drawings

MSP103C204

English

CAD Files

3D PDF

3D

Customer View Model

ENG_CVM_CVM_1825516-4_C.2d_dxf.zip



English

Customer View Model

[ENG_CVM_CVM_1825516-4_C.3d_igs.zip](#)

English

Customer View Model

[ENG_CVM_CVM_1825516-4_C.3d_stp.zip](#)

English

By downloading the CAD file I accept and agree to the [Terms and Conditions](#) of use.

Datasheets & Catalog Pages

[SWITCHES_CORE_PROGRAM_CATALOG](#)

English