

1825006-7 ✓ ACTIVE

[Alcoswitch](#) | [Alcoswitch DIP](#), [Alcoswitch DIP GDS](#)

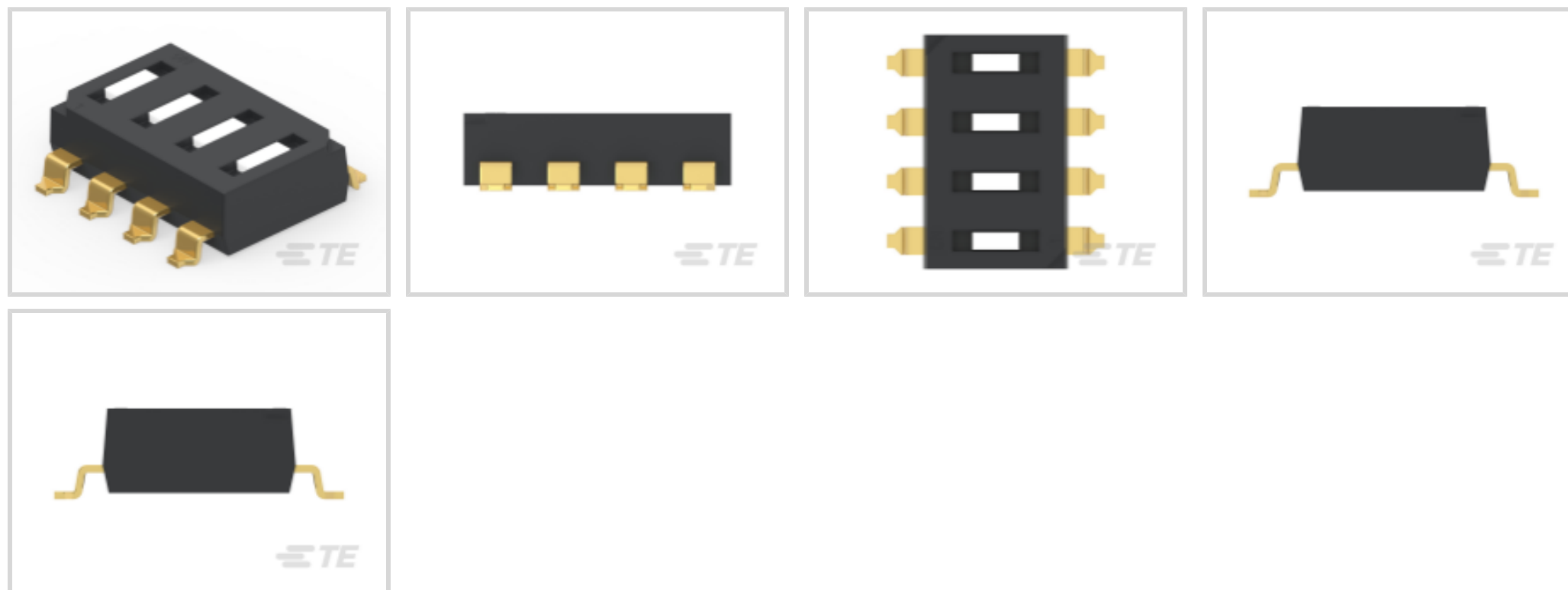
TE Internal #: 1825006-7

DIP & SIP Switches, Switch, Gold, Black Housing, Polyphenylene Sulfide (PPS), Auto-Insertable, Sealed, 4 Switch, -30 – 85 °C, DIP, Alcoswitch DIP

[View on TE.com >](#)



Relays, Contactors & Switches > Switches > DIP & SIP Switches



DIP & SIP Switch Product Type: **Switch**

DIP & SIP Switch Contact Mating Area Plating Material: **Gold**

DIP & SIP Switch Housing Color: **Black**

DIP & SIP Switch Housing Material: **Polyphenylene Sulfide (PPS)**

Auto-Insertable: **Yes**

## Features

### Product Type Features

DIP & SIP Switch Product Type	Switch
Sealed DIP & SIP Switch	Yes
DIP & SIP Switch Type	DIP
Actuator Style	Slide

### Configuration Features

Number of Positions	4
Number of Switches	4
Configuration (Pole-Throw)	Single Pole - Single Throw

### Electrical Characteristics

DIP & SIP Switch Voltage Rating	50 VDC
---------------------------------	--------

### Body Features

Seal Type	Tape
Actuator Color	White

### Contact Features

Solder Tail Contact Plating	Gold over Nickel
	10 µin
DIP & SIP Switch Contact Mating Area Plating Material	Gold
Auto-Insertable	Yes
DIP & SIP Switch Contact Current Rating	.1 A
Contact Base Material	Copper Alloy

### Termination Features

Termination Style	Outside L
Termination Post Length	4.3 mm[.169 in]

### Mechanical Attachment

Mounting Angle	Vertical
DIP & SIP Switch Mounting Type	Surface Mount

### Housing Features

Low Profile	Yes
DIP & SIP Switch Housing Color	Black
DIP & SIP Switch Housing Material	Polyphenylene Sulfide (PPS)
DIP & SIP Switch Centerline	2.54 mm[.1 in]

### Dimensions

Height	2.7 mm[.106 in]
Length	10.01 mm[.394 in]

### Usage Conditions

Operating Temperature Range	-30 – 85 °C
-----------------------------	-------------

### Industry Standards

UL Flammability Rating	UL 94V-0
------------------------	----------

### Packaging Features

Packaging Method	Tube
Packaging Quantity	40

### Product Compliance

For compliance documentation, visit the product page on [TE.com](https://www.te.com)>

EU RoHS Directive 2011/65/EU	Compliant
------------------------------	-----------



EU ELV Directive 2000/53/EC	Compliant
China RoHS 2 Directive MIIT Order No 32, 2016	No Restricted Materials Above Threshold
EU REACH Regulation (EC) No. 1907/2006	Current ECHA Candidate List: JUNE 2023 (235) Candidate List Declared Against: JUNE 2023 (235) Does not contain REACH SVHC
Halogen Content	Not Low Halogen - contains Br or Cl > 900 ppm.
Solder Process Capability	Reflow solder capable to 260°C

Product Compliance Disclaimer

This information is provided based on reasonable inquiry of our suppliers and represents our current actual knowledge based on the information they provided. This information is subject to change. The part numbers that TE has identified as EU RoHS compliant have a maximum concentration of 0.1% by weight in homogenous materials for lead, hexavalent chromium, mercury, PBB, PBDE, DBP, BBP, DEHP, DIBP, and 0.01% for cadmium, or qualify for an exemption to these limits as defined in the Annexes of Directive 2011/65/EU (RoHS2). Finished electrical and electronic equipment products will be CE marked as required by Directive 2011/65/EU. Components may not be CE marked. Additionally, the part numbers that TE has identified as EU ELV compliant have a maximum concentration of 0.1% by weight in homogenous materials for lead, hexavalent chromium, and mercury, and 0.01% for cadmium, or qualify for an exemption to these limits as defined in the Annexes of Directive 2000/53/EC (ELV). Regarding the REACH Regulation, the information TE provides on SVHC in articles for this part number is based on the latest European Chemicals Agency (ECHA) 'Guidance on requirements for substances in articles' posted at this URL: <https://echa.europa.eu/guidance-documents/guidance-on-reach>

## Compatible Parts



TE Part # 1825006-8  
GDS04STR04=DIP SW,SLIDE,SMT,TR



TE Part # 1-1825006-1  
GDS06S04=DIP SW,SLIDE,SMT



TE Part # 1-1825006-3  
GDS0804=DIP SW,SLIDE,THRU/HL



TE Part # 1825006-3  
GDS02S04=DIP SW,SLIDE,SMT



TE Part # 1-1825006-5  
GDS08S04=DIP SW,SLIDE,SMT



TE Part # 1-1825006-7  
GDS1004=DIP SW,SLIDE,THRU/HL



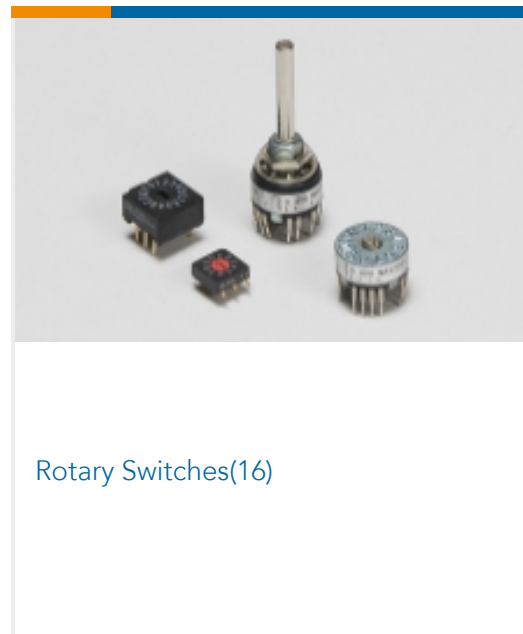
TE Part # 1-1825006-2  
GDS06STR04=DIP SW,SLIDE,SMT,TR



TE Part # 1825006-4  
GDS02STR04=DIP SW,SLIDE,SMT,TR



### Also in the Series | Alcoswitch DIP



### Also in the Series | Alcoswitch DIP GDS



### Customers Also Bought



TE Part #3-1622820-5  
3520 2R7 5%



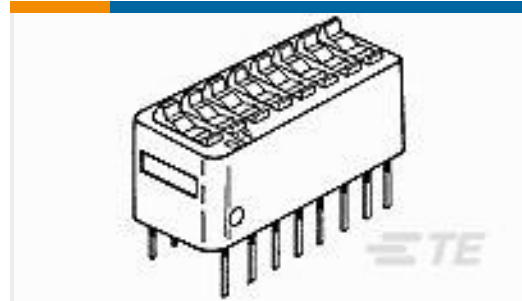
TE Part #2176058-3  
RLP73V 3A R012 5% 2K RL



TE Part #5520252-4  
MJ,R/A,8P/8C,PNL STOPS,KEYED



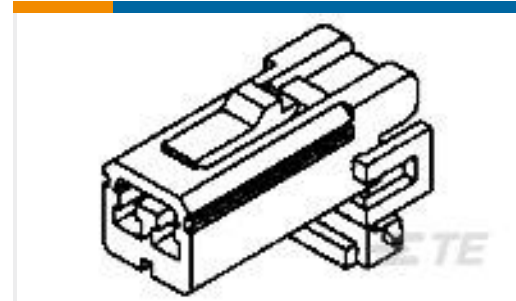
TE Part #1-86479-3  
02 MODII HDR DRRA UNSHRD .100



TE Part #5435640-4  
DIP SW 6POSN AU



TE Part #3-1879337-1  
CPF 0603 5K11 1% 50PPM 1K RL



TE Part #776128-6  
2POS .070 MULTILOCK PLUG LEFT



TE Part #CSI-SGFE-300-UFFR  
SMA to U.FL/MHF1 300mm 1.13 OD



TE Part #1393277-8  
V23076A1022C133

## Documents

### Product Drawings

[GDS04S04=DIP SW,SLIDE,SMT](#)

English

### CAD Files

Customer View Model

[ENG\\_CVM\\_CVM\\_1825006-7\\_O.2d\\_dxf.zip](#)

English

### 3D PDF

3D

Customer View Model

[ENG\\_CVM\\_CVM\\_1825006-7\\_O.3d\\_igs.zip](#)

English

Customer View Model

[ENG\\_CVM\\_CVM\\_1825006-7\\_O.3d\\_stp.zip](#)

English

By downloading the CAD file I accept and agree to the [Terms and Conditions](#) of use.

## Datasheets & Catalog Pages

1825006-7

DIP & SIP Switches, Switch, Gold, Black Housing, Polyphenylene Sulfide (PPS), Auto-Insertable, Sealed, 4 Switch, -30 – 85 °C, DIP, Alcoswitch DIP



## SWITCHES\_CORE\_PROGRAM\_CATALOG

English