

181299-1 ✓ ACTIVE

AMPMODU | AMPMODU MOD 1

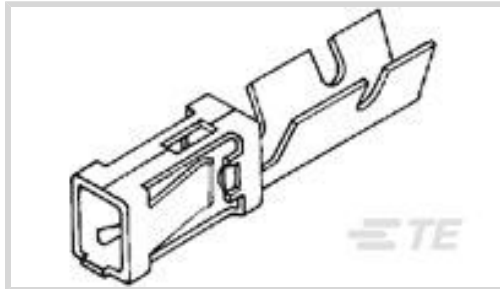
TE Internal #: 181299-1

Connector Contact, Socket, .15 in [3.81 mm] Centerline, Tin, 22 – 18 AWG Wire Size, .3 – .9 mm² Wire Size, Straight, Wire & Cable, 5 A, AMPMODU MOD 1

[View on TE.com >](#)



Connectors > PCB Connectors > Board-to-Board Connectors > Board-to-Board Connector Contacts



Contact Type: **Socket**

Centerline (Pitch): **3.81 mm [.15 in]**

Contact Mating Area Plating Material: **Tin**

Wire Size: **.3 – .9 mm²**

Features

Product Type Features

Applied Pressure	Standard
Connector & Contact Terminates To	Wire & Cable

Electrical Characteristics

Dielectric Withstanding Voltage (Max)	1200 VAC
Insulation Resistance	5000 MΩ
Contact Resistance	15 mΩ

Contact Features

PCB Contact Termination Area Plating Material Thickness	.7999984 μm[31.496 μin]
Contact Mating Area Plating Material Thickness	.8 μm[31.496 μin]
PCB Contact Termination Area Plating Material	Tin
Contact Base Material	Phosphor Bronze
Contact Type	Socket
Contact Mating Area Plating Material	Tin
Contact Orientation	Straight
Contact Current Rating (Max)	5 A

Termination Features

Termination Method to Wire & Cable	Crimp
------------------------------------	-------

Mechanical Attachment

Contact Retention Type Within Housing	Snap-In
---------------------------------------	---------



Wire Insulation Support	With
PCB Mount Retention	Without

Housing Features

Mating Entry Location	Top
Centerline (Pitch)	3.81 mm [.15 in]

Dimensions

Compatible Insulation Diameter Range	1.8 – 2.3 mm [.071 – .091 in]
Wire Size	.3 – .9 mm ²

Usage Conditions

Operating Temperature Range	-40 – 105 °C [-40 – 221 °F]
-----------------------------	-----------------------------

Operation/Application

Circuit Application	Signal
---------------------	--------

Packaging Features

Packaging Quantity	2000
Packaging Method	Loose Piece

Product Compliance

[For compliance documentation, visit the product page on TE.com>](#)

EU RoHS Directive 2011/65/EU	Compliant
EU ELV Directive 2000/53/EC	Compliant
China RoHS 2 Directive MIIT Order No 32, 2016	No Restricted Materials Above Threshold
EU REACH Regulation (EC) No. 1907/2006	Current ECHA Candidate List: JUNE 2023 (235) Candidate List Declared Against: JUNE 2023 (235) Does not contain REACH SVHC
Halogen Content	Low Halogen - Br, Cl, F, I < 900 ppm per homogenous material. Also BFR/CFR/PVC Free
Solder Process Capability	Not applicable for solder process capability

Product Compliance Disclaimer

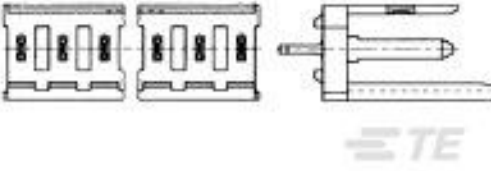
This information is provided based on reasonable inquiry of our suppliers and represents our current actual knowledge based on the information they provided. This information is subject to change. The part numbers that TE has identified as EU RoHS compliant have a maximum concentration of 0.1% by weight in homogenous materials for lead, hexavalent chromium, mercury, PBB, PBDE, DBP, BBP, DEHP, DIBP, and 0.01% for cadmium, or qualify for an exemption to these limits as defined in the Annexes of Directive 2011/65/EU (RoHS2). Finished electrical and electronic equipment products

will be CE marked as required by Directive 2011/65/EU. Components may not be CE marked. Additionally, the part numbers that TE has identified as EU ELV compliant have a maximum concentration of 0.1% by weight in homogenous materials for lead, hexavalent chromium, and mercury, and 0.01% for cadmium, or qualify for an exemption to these limits as defined in the Annexes of Directive 2000/53/EC (ELV). Regarding the REACH Regulation, the information TE provides on SVHC in articles for this part number is based on the latest European Chemicals Agency (ECHA) 'Guidance on requirements for substances in articles' posted at this URL: <https://echa.europa.eu/guidance-documents/guidance-on-reach>

Compatible Parts



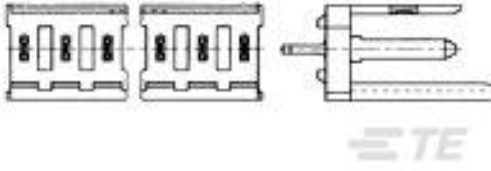
TE Part # 843473-1
EXTRACTION TOOL



TE Part # 280612-2
8P MOD 1 SHROUDED HEADER, ST, 0.4 Au



TE Part # 280611-2
6P MOD 1 SHROUDED HEADER, ST, 0.4 Au



TE Part # 280616-1
4P MOD 1 P.S. ASSY.



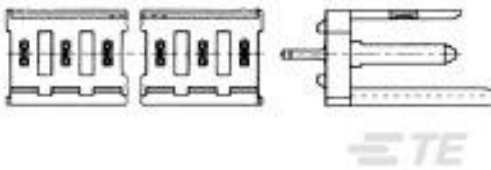
TE Part # 280594
AMP MODU MOD I RECEPT HSG



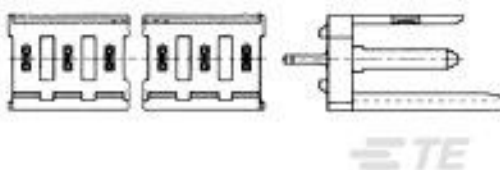
TE Part # 280592
AMPMODU I RECEPTACLE HOUSING.



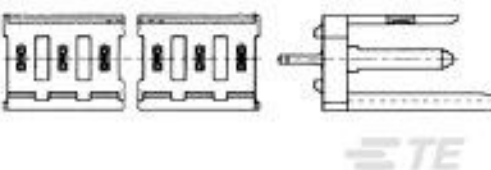
TE Part # 280593
AMP MODU MOD I RECEPT HSG



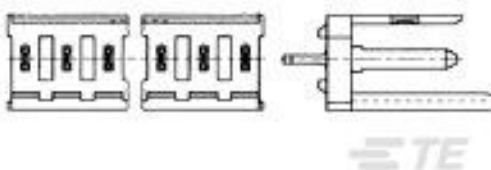
TE Part # 280612-1
8P MOD 1 SHROUDED HEADER, ST, TIN PLTD



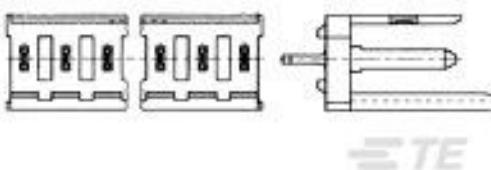
TE Part # 280618-2
MOD I INCREMENTAL ASSY



TE Part # 280616-2
MOD I INCREMENTAL ASSY



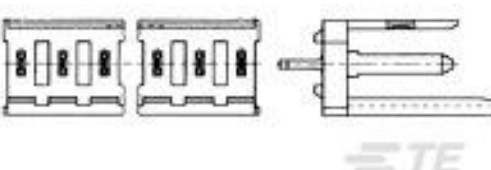
TE Part # 280610-2
4P MOD 1 SHROUDED HEADER, ST, 0.4 Au



TE Part # 280613-1
10P MOD 1 SHROUDED HEADER, ST, TIN PLTD



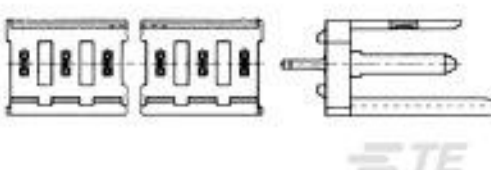
TE Part # 280614-2
12P MOD 1 SHROUDED HEADER, ST, 0.4 Au



TE Part # 280609-2
2P MOD 1 SHROUDED HEADER, ST, 0.4 Au



TE Part # 280591
AMPMODU MODU I REC HOUSING



TE Part # 280609-1
2P MOD 1 SHROUDED HEADER, ST, TIN PLTD



TE Part # 280590
AMPMODU MOD I REC HOUSING



TE Part # 280610-1
4P MOD 1 SHROUDED HEADER, ST, TIN PLTD

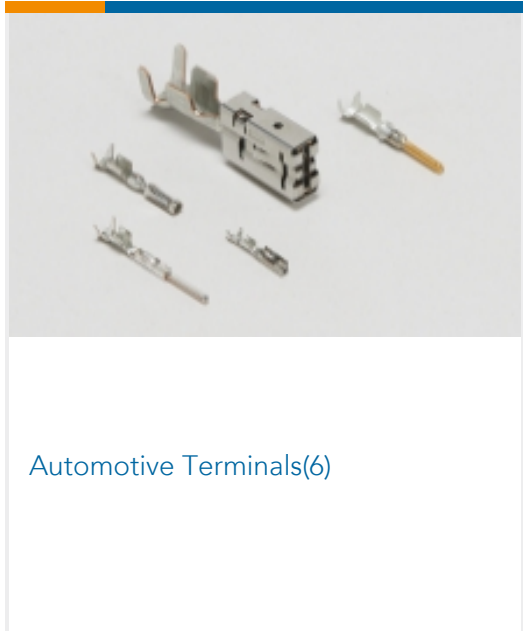


TE Part # 280615-2
MOD I INCREMENTAL ASSY

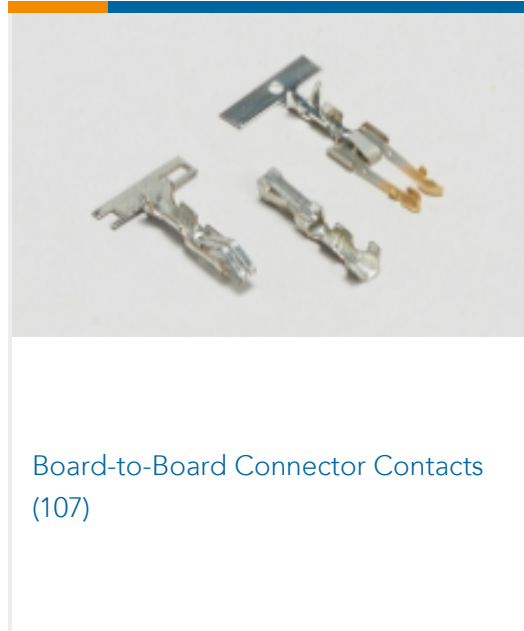


TE Part # 293350-1
AMPMODU MOD I REC HOUSING-PA66-black

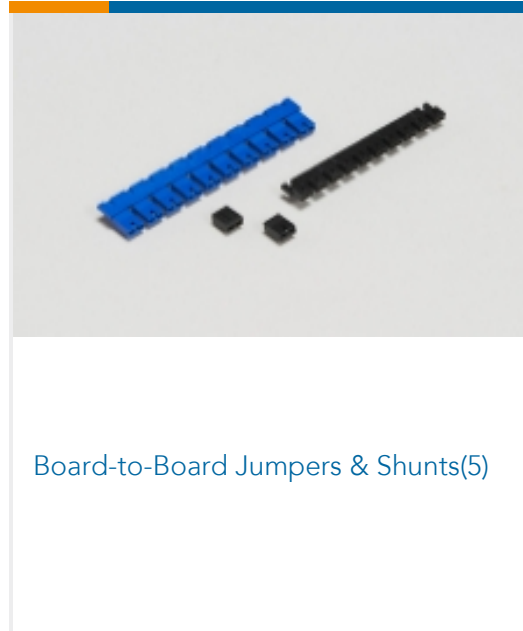
Also in the Series | AMPMODU MOD 1



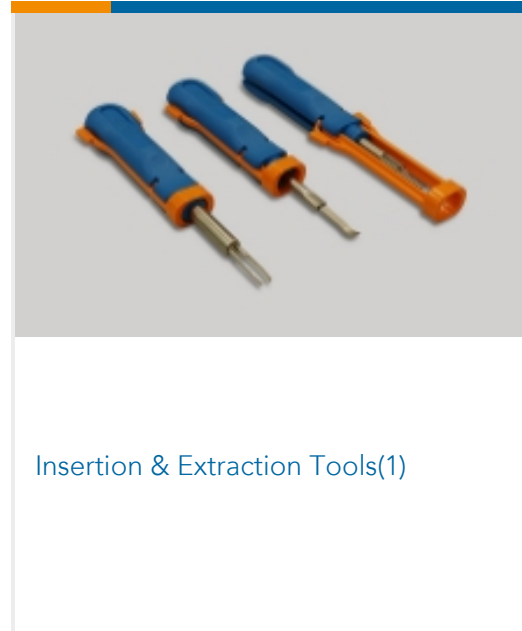
Automotive Terminals(6)



Board-to-Board Connector Contacts (107)



Board-to-Board Jumpers & Shunts(5)



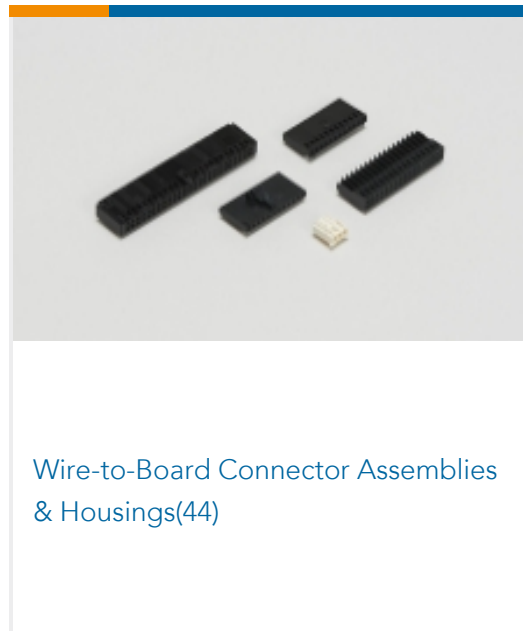
Insertion & Extraction Tools(1)



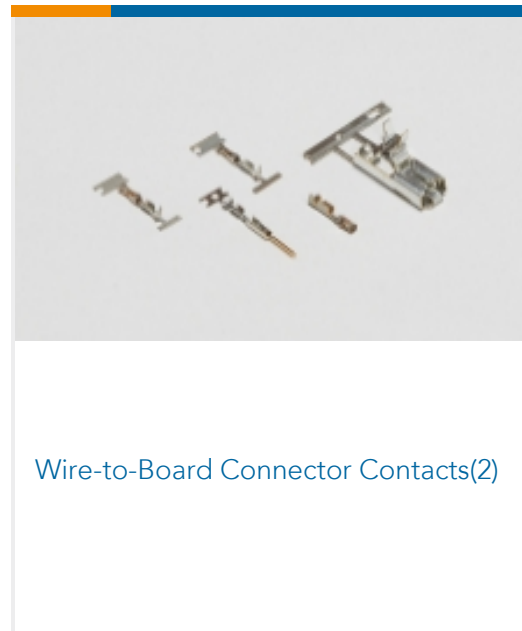
PCB Connector Keying(2)



PCB Headers & Receptacles(358)



Wire-to-Board Connector Assemblies & Housings(44)



Wire-to-Board Connector Contacts(2) & Housings(44)

Customers Also Bought



TE Part #7-1625971-5
HSA25 R01 5%



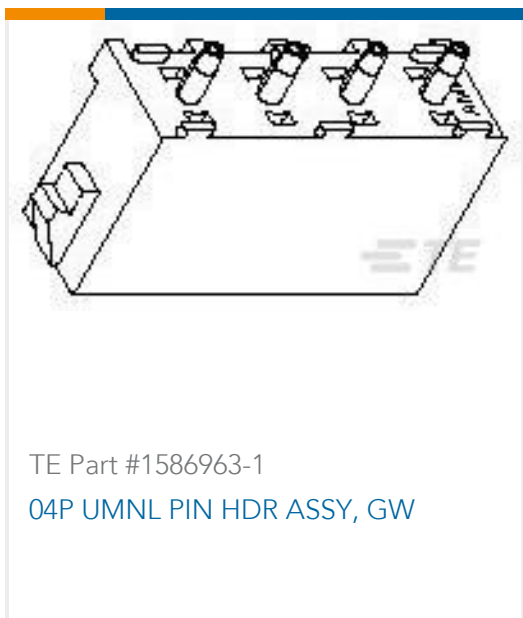
TE Part #1879442-7
TE 60W 3R3 5% Bracket



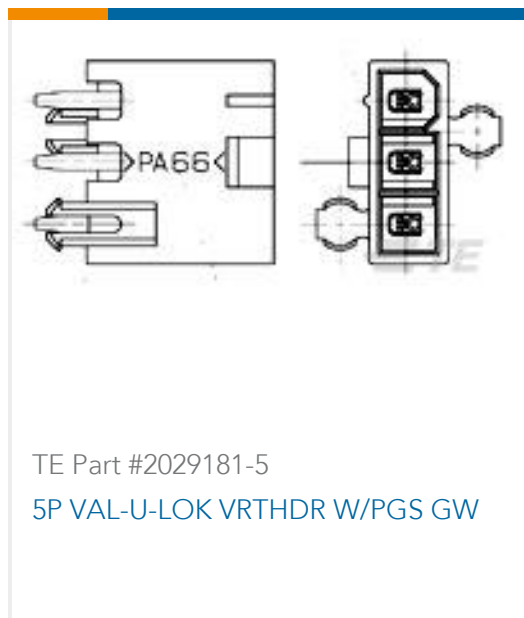
TE Part #50840
TERMINAL,PIDG PTFE R 14 8



TE Part #3-644043-5
05P MTA100 CONN ASSY LF



TE Part #1586963-1
04P UMNL PIN HDR ASSY, GW



TE Part #2029181-5
5P VAL-U-LOK VRTHDR W/PGS GW



TE Part #170014-5
FF 110 TAB 20-16AWG BR



TE Part #5-1478763-1
Metal backshell 9 way 45 Deg E



Documents

Product Drawings

MOD I CRIMP CONTACT

English

CAD Files

Customer View Model

[ENG_CVM_181299-1_N1.3d_igs.zip](#)

English

Customer View Model

[ENG_CVM_181299-1_N1.3d_stp.zip](#)

English

Customer View Model

[ENG_CVM_181299-1_N1.2d_dxf.zip](#)

English

3D PDF

English

By downloading the CAD file I accept and agree to the [Terms and Conditions](#) of use.

Product Specifications

Application Specification

English