

180913 ✓ ACTIVE

FASTIN-FASTON | FASTIN-FASTON 250

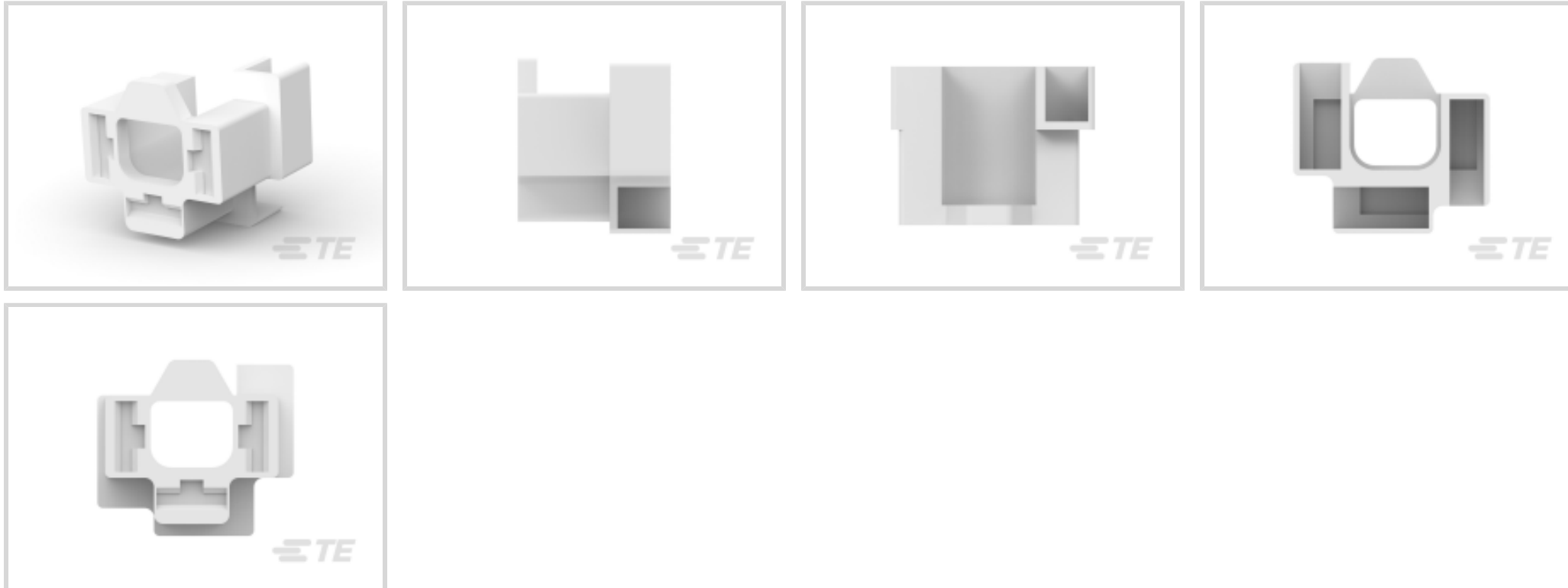
TE Internal #: 180913

Crimp Terminal Housings, Receptacle, Receptacle, 3 Position,
Straight, Natural, Polyamide, Mating Alignment, FASTIN-FASTON
250

[View on TE.com >](#)



Terminals & Splices > Terminal Housings, Insulation Sleeves & Blocks > Crimp Terminal Housings



Terminal Type: **Receptacle**

Connector & Housing Type: **Receptacle**

Number of Positions: **3**

Terminal Orientation: **Straight**

Primary Product Color: **Natural**

Features

Product Type Features

Sealable	No
Connector & Contact Terminates To	Wire & Cable
Connector & Housing Type	Receptacle

Configuration Features

Number of Positions	3
---------------------	---

Body Features

Primary Product Color	Natural
-----------------------	---------

Contact Features

Terminal Type	Receptacle
Terminal Orientation	Straight
Contact Mating Retention	Without

Mechanical Attachment

Mating Alignment	With
------------------	------



Connector Mounting Type

Cable Mount (Free-Hanging)

Housing Features

Housing Material

Polyamide

Dimensions

Product Length

20.4 mm [.803 in]

Usage Conditions

Operating Temperature Range

-40 – 105 °C [-40 – 221 °F]

Packaging Features

Packaging Quantity

2000

Packaging Method

Carton

Product Compliance

For compliance documentation, visit the product page on [TE.com](https://www.te.com)>

EU RoHS Directive 2011/65/EU

Compliant

EU ELV Directive 2000/53/EC

Compliant

China RoHS 2 Directive MIIT Order No 32, 2016

No Restricted Materials Above Threshold

EU REACH Regulation (EC) No. 1907/2006

Current ECHA Candidate List: JUNE 2023 (235)
 Candidate List Declared Against: JUNE 2023 (235)
 Does not contain REACH SVHC

Halogen Content

Low Halogen - Br, Cl, F, I < 900 ppm per homogenous material. Also BFR/CFR/PVC Free

Solder Process Capability

Not applicable for solder process capability

Product Compliance Disclaimer

This information is provided based on reasonable inquiry of our suppliers and represents our current actual knowledge based on the information they provided. This information is subject to change. The part numbers that TE has identified as EU RoHS compliant have a maximum concentration of 0.1% by weight in homogenous materials for lead, hexavalent chromium, mercury, PBB, PBDE, DBP, BBP, DEHP, DIBP, and 0.01% for cadmium, or qualify for an exemption to these limits as defined in the Annexes of Directive 2011/65/EU (RoHS2). Finished electrical and electronic equipment products will be CE marked as required by Directive 2011/65/EU. Components may not be CE marked. Additionally, the part numbers that TE has identified as EU ELV compliant have a maximum concentration of 0.1% by weight in homogenous materials for lead, hexavalent chromium, and mercury, and 0.01% for cadmium, or qualify for an exemption to these limits as defined in the Annexes of Directive 2000/53/EC (ELV). Regarding the REACH Regulation, the information TE provides on SVHC in articles for this part number is based on the latest European Chemicals Agency (ECHA) 'Guidance on requirements for substances in articles' posted at this URL: <https://echa.europa.eu/guidance-documents/guidance-on-reach>

Compatible Parts




TE Part # 925475-1
FF 110 REC HSG 3P NYLON NAT



TE Part # 626213-1
FASTIN-ON 0.312 FLAG REC NYLON 6.6



TE Part # 925015-1
FF 110 REC HSG 3P NYLON BLACK



TE Part # 925176-5
FF 312 3P HOUSING REC POLYAMID 6.6 BLACK



TE Part # 170258-2
FF 250 REC 14-12AWG TPBR REREELING



TE Part # 170258-1
FF 250 REC 14-12AWG BR REREELING



TE Part # 1-172131-1
FF 250 CAP HSG 3P NYLON NAT



TE Part # 150653-1
FF 312 REC HSG 3P NYLON BLACK



TE Part # 626213-2
3 CIR FASTIN-ON RECP HSG PRETO



TE Part # 180918
FF 250 REC HSG 2P NYLON CLEAR

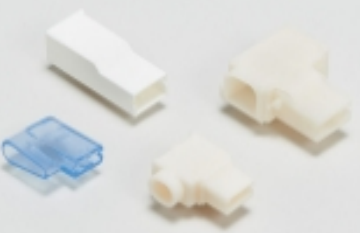


TE Part # 925306-2
FF 312 REC HSG 3P NYLON CLEAR




TE Part # 927284-2
FF 250 REC HSG 3P NYLON NAT

Also in the Series | **FASTIN-FASTON 250**




Crimp Terminal Housings(211)



Insertion & Extraction Tools(2)



PCB Terminals(2)

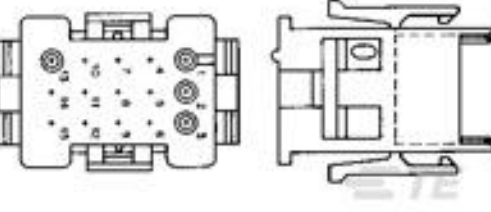


Quick Disconnects(254)

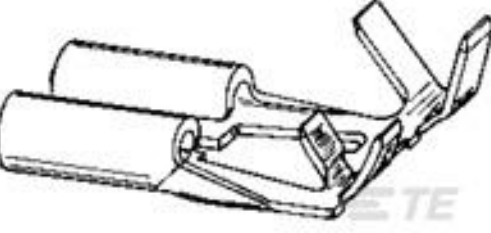
Customers Also Bought



TE Part #282108-1
AMP SUPERSEAL 1.5 SERIES 6P CA



TE Part #1-640514-0
20P MR II CAP HSG V0



TE Part #180453-2
FF 312 REC 1-2.5MM2 TPBR



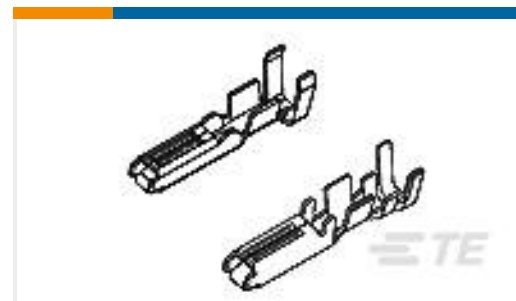
TE Part #770266-1
02P .093 COMM P&S RECPT .248CL



TE Part #1-104482-1
26 SHORT PT RCPT HSG DR .100CL



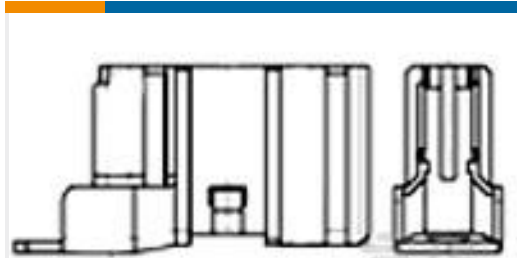
TE Part #HDP24-24-31PE
REC, 31P, BLK, E, 16, P



TE Part #282375-1
070 MULTILOCK RCPT CONT



TE Part #929092-1
MCP2,8 GEH ASSY2X8P



TE Part #927689-3
26P MOD4 ABDECKKAPP



TE Part #142538-2
KIT MT SPLICE 2V

Documents

Product Drawings

[FF 250 REC HSG 3P NYLON NAT](#)

English

CAD Files

[3D PDF](#)

3D

Customer View Model

[ENG_CVM_CVM_180913_AW.2d_dxf.zip](#)

English

Customer View Model

[ENG_CVM_CVM_180913_AW.3d_igs.zip](#)

English

Customer View Model

[ENG_CVM_CVM_180913_AW.3d_stp.zip](#)

English

By downloading the CAD file I accept and agree to the [Terms and Conditions](#) of use.

Datasheets & Catalog Pages

[White Paper: Nylon Discoloration](#)

English

Product Specifications

[Application Specification](#)

English