

180599 ✓ ACTIVE

SOLISTRAND

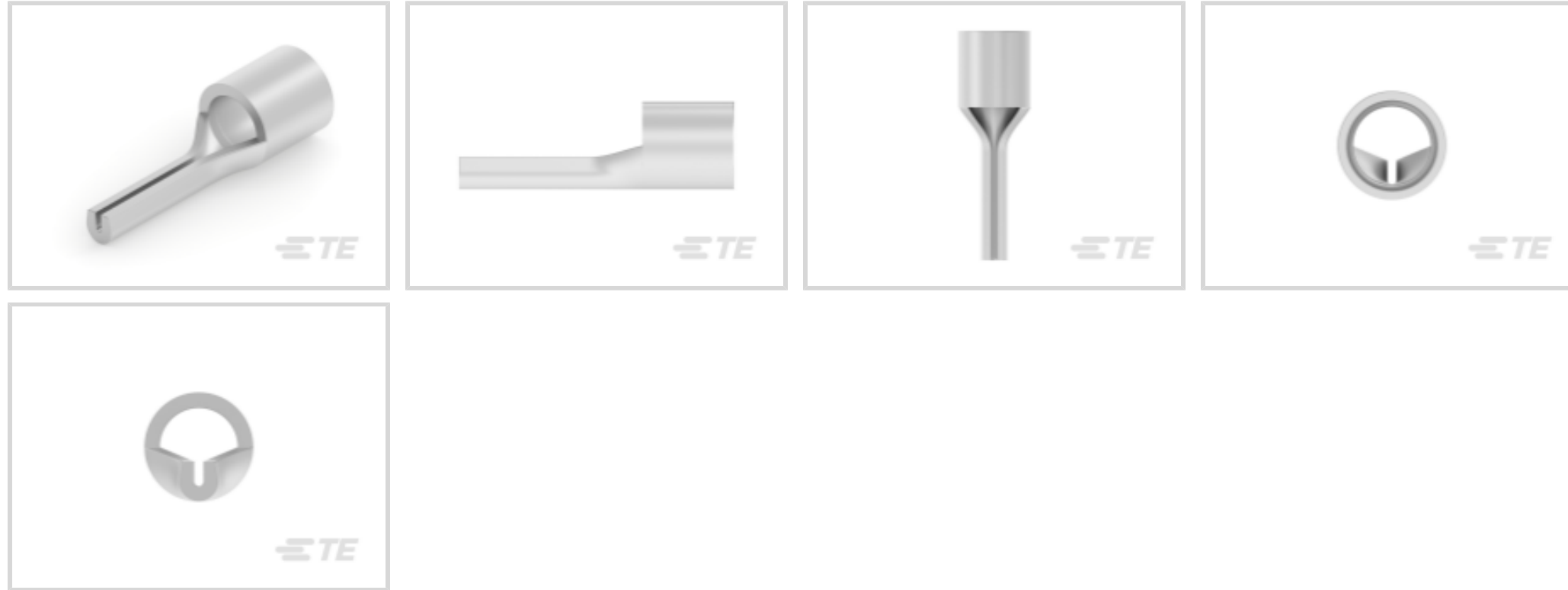
TE Internal #: 180599

Crimp Wire Pins, Tabs & Ferrules, Wire Pin, Mating Pin Diameter
2.6 mm [.102 in], 8 AWG Wire Size, 8 mm² Wire Size, 13100 – 20800
CMA Wire Size

[View on TE.com >](#)



Terminals & Splices > Crimp Wire Pins, Tabs & Ferrules



Crimp Wire Terminal Type: **Wire Pin**
Mating Pin Diameter: **2.6 mm [.102 in]**
Wire Size: **13100 – 20800 CMA**

Features

Product Type Features

Sealable	No
Compatible With Discrete Wire Type	Stranded
Wire Insulation Support Retention Type	Non-Insulation Support

Configuration Features

Compatible With Wire & Cable Type	Discrete Wire
-----------------------------------	---------------

Contact Features

Contact Fabrication	Stamped & Formed
Crimp Wire Terminal Type	Wire Pin
Mating Pin Diameter	2.6 mm[.102 in]
Barrel Type	Closed
Terminal Plating Material	Tin
Contact Shape & Form	Round
Terminal Orientation	Straight

Mechanical Attachment

Wire Insulation Support	Without
-------------------------	---------



Dimensions

Wire Size	13100 – 20800 CMA
Barrel Inside Diameter	4.7 mm[.185 in]
Terminal Material Thickness	.99 mm[.039 in]
Overall Product Length	22 mm[.866 in]

Usage Conditions

Insulation Option	Uninsulated
Operating Temperature Range	170 °C[338 °F]

Packaging Features

Packaging Quantity	500
Packaging Method	Box

Product Compliance

[For compliance documentation, visit the product page on TE.com>](#)

EU RoHS Directive 2011/65/EU	Compliant
EU ELV Directive 2000/53/EC	Compliant
China RoHS 2 Directive MIIT Order No 32, 2016	No Restricted Materials Above Threshold
EU REACH Regulation (EC) No. 1907/2006	Current ECHA Candidate List: JUNE 2023 (235) Candidate List Declared Against: JUNE 2023 (235) Does not contain REACH SVHC
Halogen Content	Low Halogen - Br, Cl, F, I < 900 ppm per homogenous material. Also BFR/CFR/PVC Free
Solder Process Capability	Not applicable for solder process capability


Product Compliance Disclaimer

This information is provided based on reasonable inquiry of our suppliers and represents our current actual knowledge based on the information they provided. This information is subject to change. The part numbers that TE has identified as EU RoHS compliant have a maximum concentration of 0.1% by weight in homogenous materials for lead, hexavalent chromium, mercury, PBB, PBDE, DBP, BBP, DEHP, DIBP, and 0.01% for cadmium, or qualify for an exemption to these limits as defined in the Annexes of Directive 2011/65/EU (RoHS2). Finished electrical and electronic equipment products will be CE marked as required by Directive 2011/65/EU. Components may not be CE marked. Additionally, the part numbers that TE has identified as EU ELV compliant have a maximum concentration of 0.1% by weight in homogenous materials for lead, hexavalent chromium, and mercury, and 0.01% for cadmium, or qualify for an exemption to these limits as defined in the Annexes of Directive 2000/53/EC (ELV). Regarding the REACH Regulation, the information TE provides on SVHC in articles for this part number is based on the latest European Chemicals Agency (ECHA) 'Guidance on requirements for substances in articles' posted at this URL: <https://echa.europa.eu/guidance-documents/guidance-on-reach>

Compatible Parts



TE Part # 601075
BANTAM ROTA-CRIMP TOOL



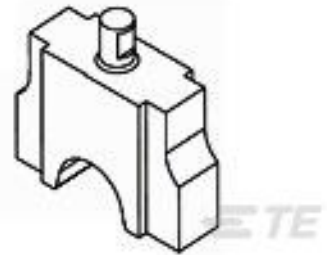
TE Part # 69355
HHHT SOLIS SOLIS FLAG STRATO 8 ASSY




TE Part # 1490413-1
HYP10 SOLIS 8AWG NEST



TE Part # 1490414-1
HYP10 SOLIS 8AWG INDENTER



TE Part # 1901001-1
NEST #8



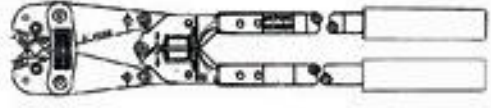
TE Part # 48355
HYP8 SOLIS 8AWG INDENTER



TE Part # 69216
HYP8/10 SOLIS 8AWG DIE SET



TE Part # 48126
HYP8 SOLIS 8AWG NEST



TE Part # 600850
ROTO-CRIMP TOOL (ASI)

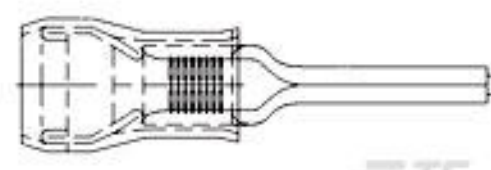


TE Part # 69339
HHHT SOLIS SOLIS FLAG STRATO 8 ASSY



TE Part # 6-1377172-8
SMP 0-0180599-0

Customers Also Bought



TE Part #160404-2
TERM, WIRE PIN, PIDG, 12-10 AWG



TE Part #342102-1
22-16 F.E.P.G. RING TONGUE NO.




TE Part #1577634-1
TERMINAL RT PIDG PEEK STRATO 18-16 AWG



TE Part #C04635-000
HX-SCE Low Fire Hazard Sleeves



TE Part #EC1125-000
Z-Type Push-On Markers



TE Part #8-55826-3
12-10 PRE-INSUL SEALED SPLICE



TE Part #1-1337451-0
BNC BHSkt 50Ohm Silver Pltd



Documents

Product Drawings

[SOLIS 8 WIRE PIN](#)

English

CAD Files

[3D PDF](#)

3D

Customer View Model

[ENG_CVM_CVM_180599_F.2d_dxf.zip](#)

English

Customer View Model

[ENG_CVM_CVM_180599_F.3d_igs.zip](#)

English

Customer View Model

[ENG_CVM_CVM_180599_F.3d_stp.zip](#)

English

By downloading the CAD file I accept and agree to the [Terms and Conditions](#) of use.

Product Environmental Compliance

[MD_180599_033020151519_dmtec](#)

English

[MD_180599_033020151519_dmtec](#)

English