

179939-1 ✓ ACTIVE



Power Double Lock

TE Internal #: 179939-1

Rectangular Power Connectors, Housing, Plug, Wire-to-Wire, 4 Position, 6.5 mm [.255 in] Centerline, Wire & Cable, UL 94V-0, Power Double Lock

[View on TE.com >](#)

Connectors > Power Connectors > Rectangular Power > Rectangular Power Connectors > STD Temp Power Double Lock Plug



Rectangular Power Connector Type: **Housing**

Connector & Housing Type: **Plug**

Connector System: **Wire-to-Wire**

Number of Positions: **4**

Centerline (Pitch): **6.5 mm [.255 in]**

[All STD Temp Power Double Lock Plug \(67\)](#)

Features

Product Type Features

| | |
|------------------------------------|--------------|
| Compatible With Discrete Wire Type | Stranded |
| Rectangular Power Connector Type | Housing |
| Connector & Housing Type | Plug |
| Connector System | Wire-to-Wire |
| Sealable | No |
| Connector & Contact Terminates To | Wire & Cable |

Configuration Features

| | |
|----------------------------|---|
| Number of Positions | 4 |
| Number of Power Positions | 0 |
| Number of Signal Positions | 0 |
| Number of Rows | 1 |

Electrical Characteristics



| | |
|-------------------|---------|
| Operating Voltage | 300 VAC |
|-------------------|---------|

Contact Features

| | |
|----------------------------------|------------|
| Contact Layout | Inline |
| Contact Retention Within Housing | Without |
| Contact Type | Receptacle |

Termination Features

| | |
|------------------------------------|-------|
| Termination Method to Wire & Cable | Crimp |
|------------------------------------|-------|

Mechanical Attachment

| | |
|-------------------------|----------------------------|
| Connector Mounting Type | Cable Mount (Free-Hanging) |
|-------------------------|----------------------------|

Housing Features

| | |
|--------------------|------------------|
| Centerline (Pitch) | 6.5 mm [.255 in] |
| Housing Color | Natural |
| Housing Material | Nylon 66 |

Dimensions

| | |
|------------------|---------|
| Connector Height | 27.3 mm |
| Product Width | 20.6 mm |
| Product Length | 20.6 mm |

Usage Conditions

| | |
|-----------------------------|-----------------------------|
| Operating Temperature Range | -30 – 105 °C [-22 – 221 °F] |
|-----------------------------|-----------------------------|

Operation/Application

| | |
|---------------------|----------------|
| Circuit Application | Power & Signal |
|---------------------|----------------|

Industry Standards

| | |
|------------------------|-------------------------------|
| Agency/Standard | CSA, VDE |
| Approved Standards | UL E28476 |
| UL Flammability Rating | UL 94V-0 |
| Glow Wire Rating | Standard Part - Not Glow Wire |

Packaging Features

| | |
|--------------------|-----|
| Packaging Quantity | 100 |
| Packaging Method | Bag |

Product Compliance

For compliance documentation, visit the product page on [TE.com](https://www.te.com)>


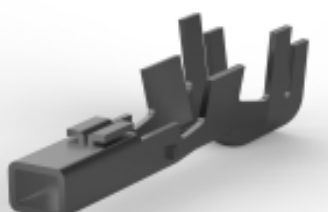
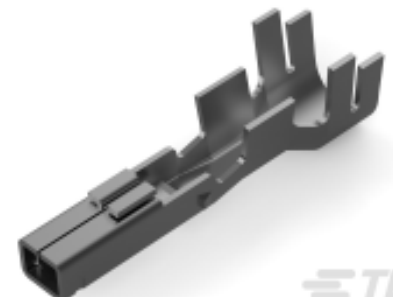
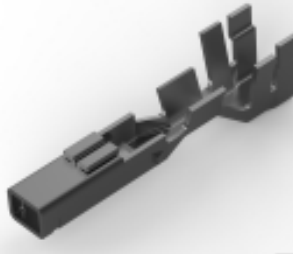

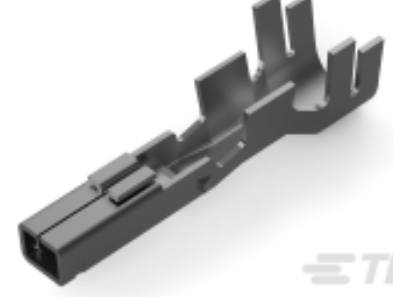



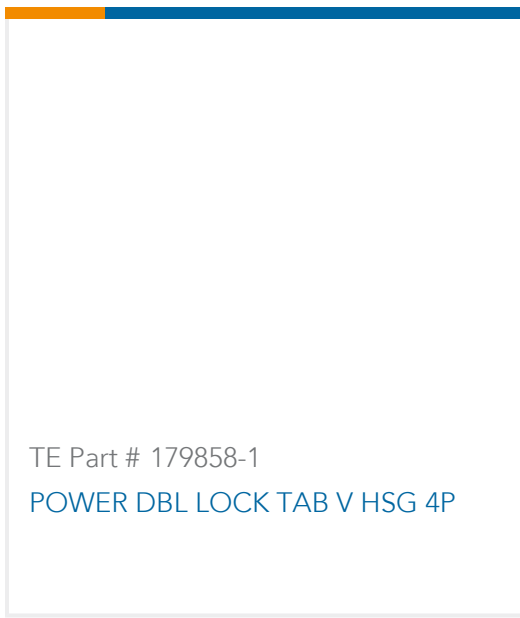
| | |
|---|---|
| EU RoHS Directive 2011/65/EU | Compliant |
| EU ELV Directive 2000/53/EC | Compliant |
| China RoHS 2 Directive MIIT Order No 32, 2016 | No Restricted Materials Above Threshold |
| EU REACH Regulation (EC) No. 1907/2006 | Current ECHA Candidate List: JUNE 2023 (235) Candidate List Declared Against: JUNE 2023 (235) Does not contain REACH SVHC |
| Halogen Content | Low Halogen - Br, Cl, F, I < 900 ppm per homogenous material. Also BFR/CFR/PVC Free |
| Solder Process Capability | Not applicable for solder process capability |

Product Compliance Disclaimer

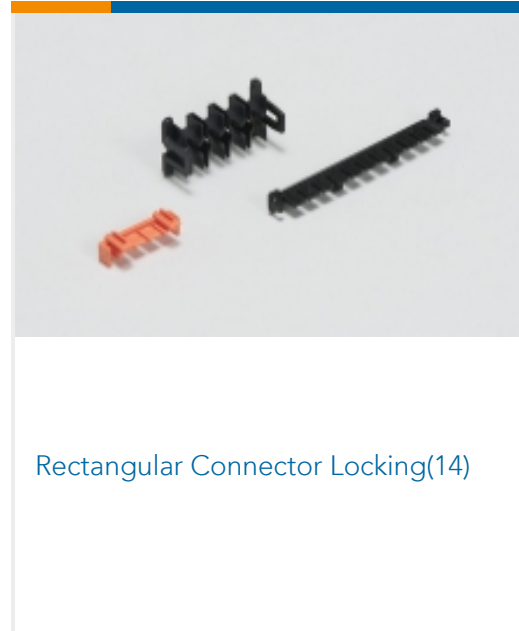
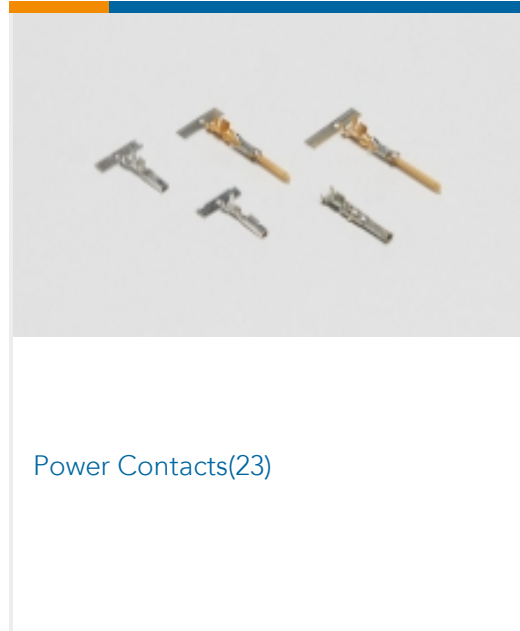
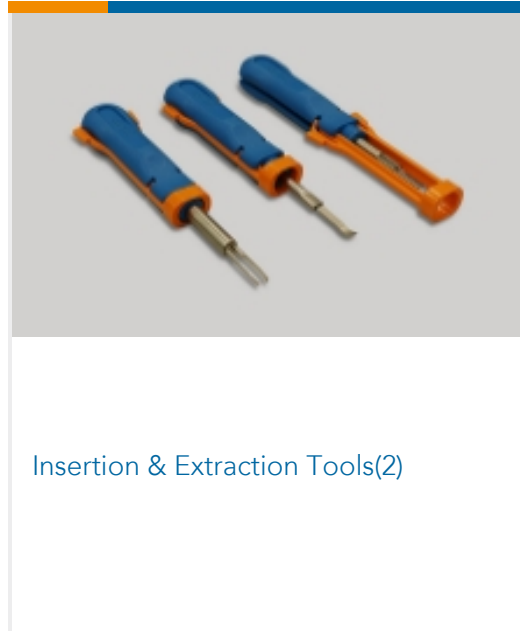
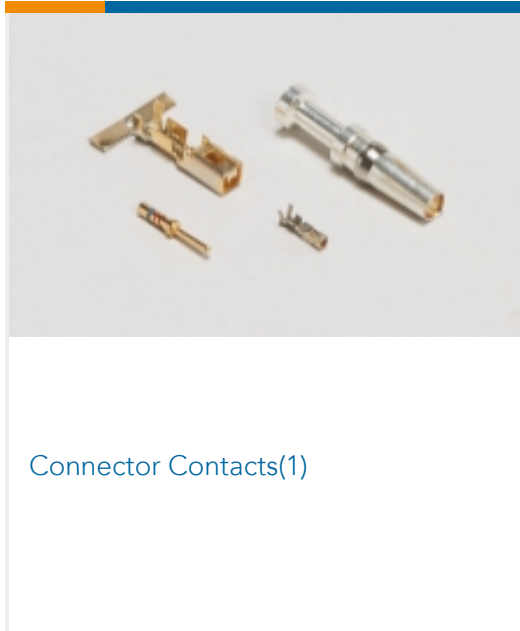
This information is provided based on reasonable inquiry of our suppliers and represents our current actual knowledge based on the information they provided. This information is subject to change. The part numbers that TE has identified as EU RoHS compliant have a maximum concentration of 0.1% by weight in homogenous materials for lead, hexavalent chromium, mercury, PBB, PBDE, DBP, BBP, DEHP, DIBP, and 0.01% for cadmium, or qualify for an exemption to these limits as defined in the Annexes of Directive 2011/65/EU (RoHS2). Finished electrical and electronic equipment products will be CE marked as required by Directive 2011/65/EU. Components may not be CE marked. Additionally, the part numbers that TE has identified as EU ELV compliant have a maximum concentration of 0.1% by weight in homogenous materials for lead, hexavalent chromium, and mercury, and 0.01% for cadmium, or qualify for an exemption to these limits as defined in the Annexes of Directive 2000/53/EC (ELV). Regarding the REACH Regulation, the information TE provides on SVHC in articles for this part number is based on the latest European Chemicals Agency (ECHA) 'Guidance on requirements for substances in articles' posted at this URL: <https://echa.europa.eu/guidance-documents/guidance-on-reach>

Compatible Parts

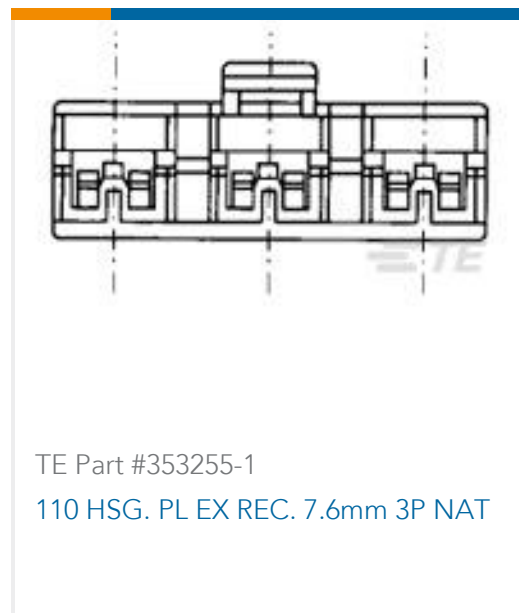
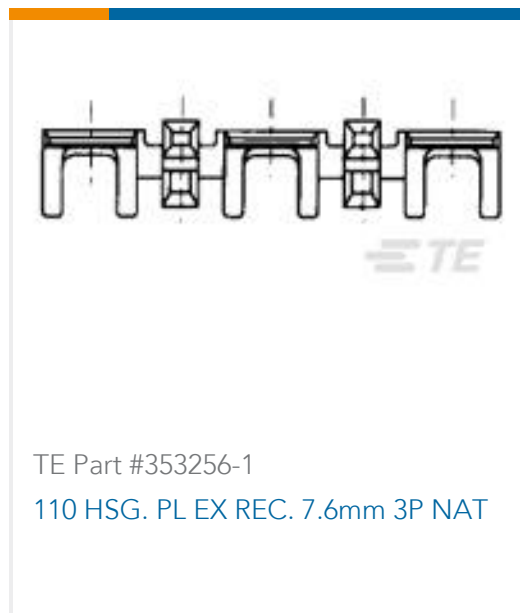
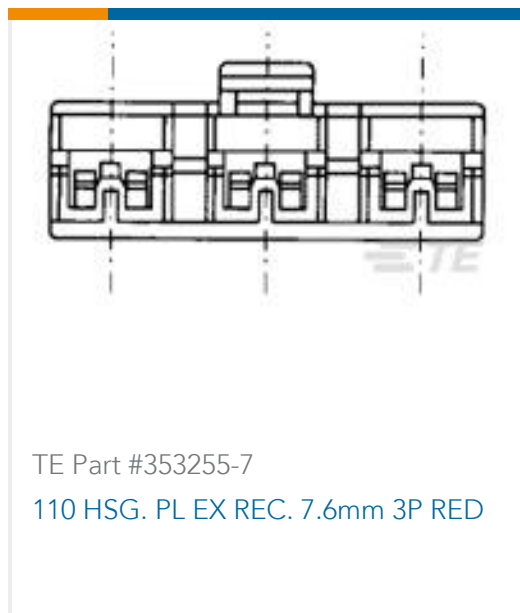
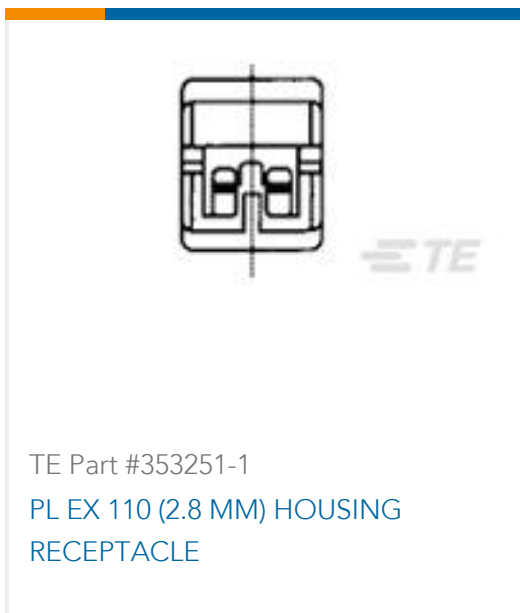
| | | | |
|---|---|---|---|
|  TE Part # 316063-1 POWER DBL LOCK PLATE 4P /6.5MM |  TE Part # CAT-P87024-R2435 Power Double Lock Receptacle |  TE Part # 179593-1 AMP POWER D/LOCK RECCONT. L/P |  TE Part # 179592-1 AMP POWER D/LOCK REC CONT. L/P |
|  TE Part # 179592-2 POWER D/LOCK REC CONT. H/P L/P |  TE Part # 179847-1 POWER DBL LOCK TAB V ASSY 4P |  TE Part # 179593-2 POWER D/LOCK REC CONT. H/P L/P |  TE Part # 1-179847-1 PDL 4P HDR 6.5 SR V/T ASSY NAT |



Also in the Series | Power Double Lock



Customers Also Bought





Documents

Product Drawings

[POWER D/LOCK PLUG HSG 4P /6.5](#)

English

CAD Files

[3D PDF](#)

3D

Customer View Model

[ENG_CVM_CVM_179939-1_C.2d_dxf.zip](#)

English

Customer View Model

[ENG_CVM_CVM_179939-1_C.3d_igs.zip](#)

English

Customer View Model

[ENG_CVM_CVM_179939-1_C.3d_stp.zip](#)

English

By downloading the CAD file I accept and agree to the [Terms and Conditions](#) of use.

Datasheets & Catalog Pages

[SOFT_SHELL_PIN_AND_SOCKET_CONNECTORS_CATALOG](#)

English

Product Specifications

[Application Specification](#)

English

Product Environmental Compliance

[MD_179939-1_06062018820_dmtec](#)

English

[MD_179939-1_06062018820_dmtec](#)

English

Agency Approvals

[CSA Certificate](#)

English