



Power Double Lock

TE Internal #: 179595-1

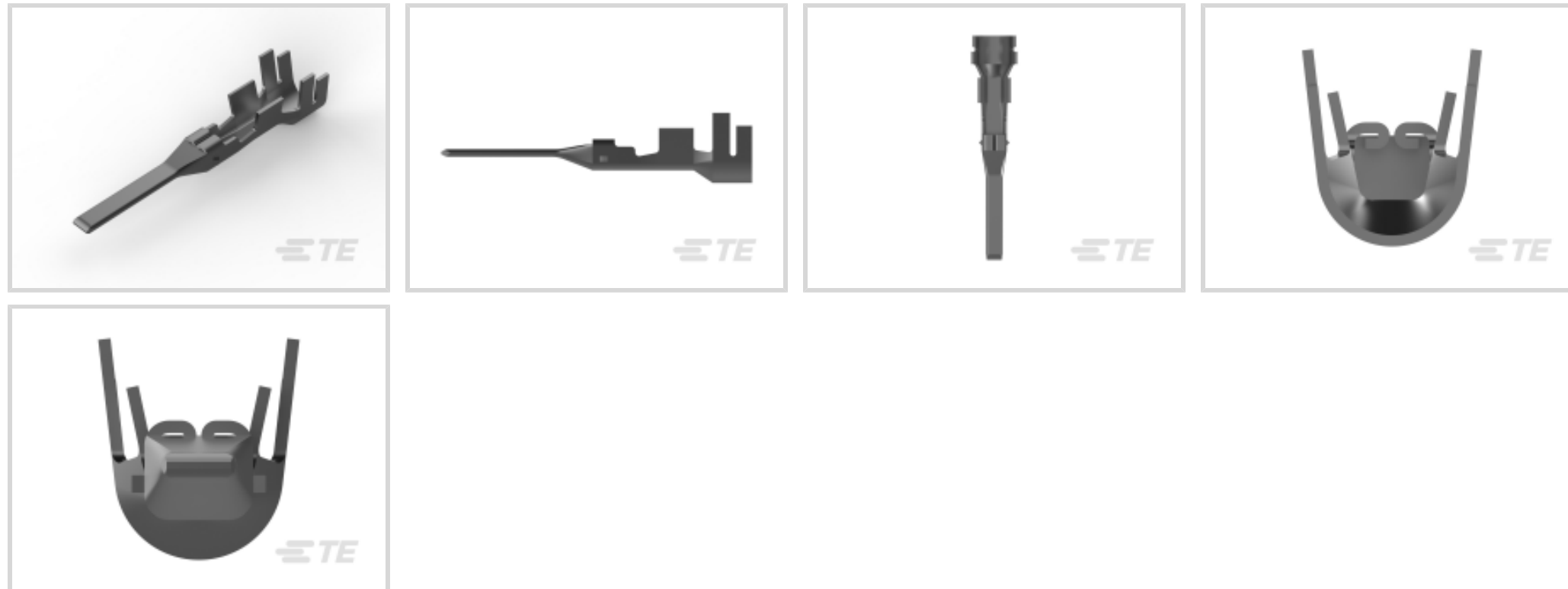
Power Contacts, Contact, 50 VAC / 300 VAC, Tin, 20 – 16 AWG

Wire Size, .52 – 1.38 mm² Wire Size, Wire & Cable, Crimp, Power,

Tab, Power Double Lock

[View on TE.com >](#)

Connectors > Power Connectors > Power Contacts > Power Double Lock Tab



Power Contact Type: **Contact**

Operating Voltage: **50 VAC, 300 VAC**

Contact Mating Area Plating Material: **Tin**

Wire Size: **.52 – 1.38 mm²**

[All Power Double Lock Tab \(4\)](#)

Features

Product Type Features

Compatible With Discrete Wire Type	Stranded
Power Contact Type	Contact
Connector & Contact Terminates To	Wire & Cable

Electrical Characteristics

Operating Voltage	50 VAC, 300 VAC
-------------------	-----------------

Contact Features

Contact Mating Area Plating Material	Tin
Contact Current Rating (Max)	14 A
Contact Type	Tab
Contact Retention Within Housing	With
Mating Tab Width	1.5 mm[.06 in]
Mating Tab Thickness	.5 mm[.02 in]
Contact Base Material	Copper Alloy



Contact Mating Area Plating Material Thickness	.8 μm[31.49 μin]
--	------------------

Wire Contact Termination Area Plating Thickness	.8 μm[31.49 μin]
---	------------------

Wire Contact Termination Area Plating Material	Pre-Tin
--	---------

Contact Orientation	Straight
---------------------	----------

Termination Features

Termination Method to Wire & Cable	Crimp
------------------------------------	-------

Mechanical Attachment

Contact Retention Type Within Housing	Locking Lance
---------------------------------------	---------------

Wire Insulation Support	With
-------------------------	------

Dimensions

Wire Size	.52 – 1.38 mm ²
-----------	----------------------------

Compatible Insulation Diameter Range	1.8 – 3.1 mm[.071 – .12 in]
--------------------------------------	-----------------------------

Usage Conditions

Operating Temperature Range	-30 – 105 °C[-22 – 221 °F]
-----------------------------	----------------------------

Operation/Application

Circuit Application	Power
---------------------	-------

Packaging Features

Packaging Quantity	1000
--------------------	------

Packaging Method	Bag
------------------	-----

Other

Power Connectors Comment	Maximum insulation diameter is 2.8mm (.110) when Double Lock Plate is used.
--------------------------	---

Product Compliance

For compliance documentation, visit the product page on [TE.com](https://www.te.com)>

EU RoHS Directive 2011/65/EU	Compliant
------------------------------	-----------

EU ELV Directive 2000/53/EC	Compliant
-----------------------------	-----------

China RoHS 2 Directive MIIT Order No 32, 2016	No Restricted Materials Above Threshold
---	---

EU REACH Regulation (EC) No. 1907/2006	Current ECHA Candidate List: JUNE 2023 (235) Candidate List Declared Against: JUNE 2023 (235) Does not contain REACH SVHC
--	---

Halogen Content	Low Halogen - Br, Cl, F, I < 900 ppm per
-----------------	--

homogenous material. Also BFR/CFR/PVC Free

Solder Process Capability

Not applicable for solder process capability


Product Compliance Disclaimer

This information is provided based on reasonable inquiry of our suppliers and represents our current actual knowledge based on the information they provided. This information is subject to change. The part numbers that TE has identified as EU RoHS compliant have a maximum concentration of 0.1% by weight in homogenous materials for lead, hexavalent chromium, mercury, PBB, PBDE, DBP, BBP, DEHP, DIBP, and 0.01% for cadmium, or qualify for an exemption to these limits as defined in the Annexes of Directive 2011/65/EU (RoHS2). Finished electrical and electronic equipment products will be CE marked as required by Directive 2011/65/EU. Components may not be CE marked. Additionally, the part numbers that TE has identified as EU ELV compliant have a maximum concentration of 0.1% by weight in homogenous materials for lead, hexavalent chromium, and mercury, and 0.01% for cadmium, or qualify for an exemption to these limits as defined in the Annexes of Directive 2000/53/EC (ELV). Regarding the REACH Regulation, the information TE provides on SVHC in articles for this part number is based on the latest European Chemicals Agency (ECHA) 'Guidance on requirements for substances in articles' posted at this URL: <https://echa.europa.eu/guidance-documents/guidance-on-reach>

Compatible Parts



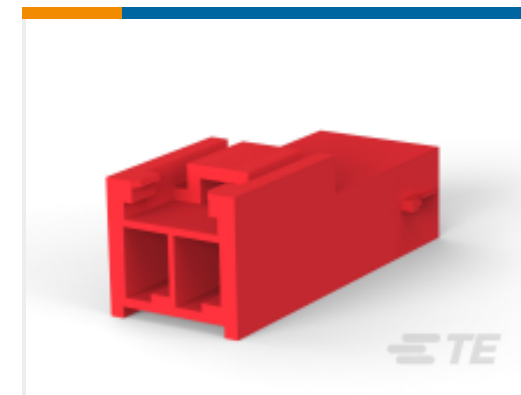
TE Part # CAT-P87024-C1701
STD Temp Power Double Lock Cap




TE Part # 177907-1
POWER DBL LOCK CAP P/M 3P



TE Part # 177906-1
POWER DBL LOCK CAP HSG P/M 2P




TE Part # 179463-2
DBL LOCK CAP F/H 2P RED



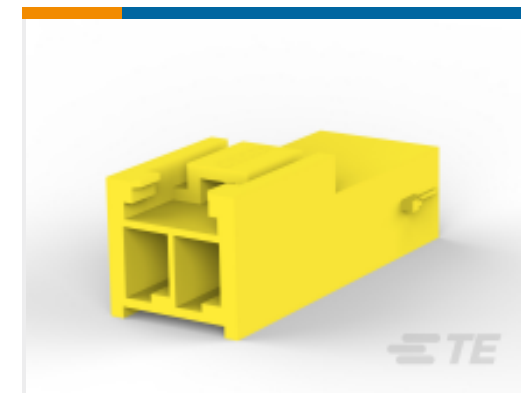
TE Part # 179466-1
AMP POWER DBL LOCK CAP HSG 6P



TE Part # 316769-1
POWER D/LOCK CAP HSG 1P NATURA



TE Part # 179463-1
POWER DBL LOCK CAP HSG F/H 2P



TE Part # 179463-4
AMP POWER DBL LOCK HSG 2P



TE Part # 179464-2
DBL LOCK CAP F/H 3P RED



TE Part # 177906-2
POWER DBL LOCK CAP P/M 2P RED



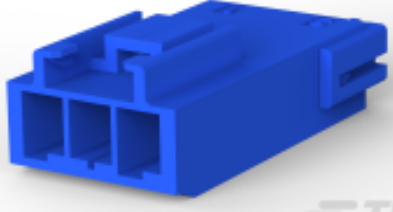
TE Part # 179466-4
AMP POWER DBL LOCK CAP HSG 6P



TE Part # 179463-6
AMP POWER DBL LOCK CAP HSG 2P




TE Part # 316769-2
POWER D/LOCK CAP HSG 1P RED



TE Part # 179464-6
AMP POWER DBL LOCK CAP HSG 3P



TE Part # 179464-1
POWER DBL LOCK CAP HSG F/H 3P



TE Part # 179466-6
AMP POWER DBL LOCK CAP HSG 6P



TE Part # 234914-1
EXT TOOL FOR POWER DBL LOK TAB



TE Part # 91569-1
CCII POWER DBL LOCK L REC TAB 20-16 ASSY




TE Part # 177906-6
POWER DBL LOCK CAP HSG P/M 2P




TE Part # 177906-9
DBL LOCK CAP P/M 2P BLACK


Also in the Series | Power Double Lock




Connector Contacts(1)



Insertion & Extraction Tools(2)



Power Contacts(23)



Rectangular Connector Locking(14)



Rectangular Power Connectors(284)

Customers Also Bought



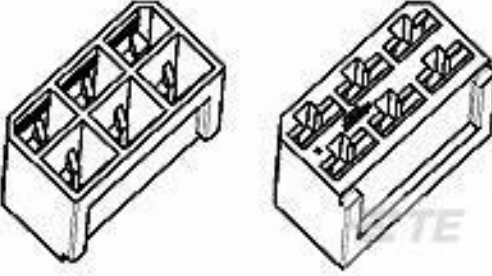
TE Part #177909-1
POWER DBL LOCK CAP HSG P/M 6P



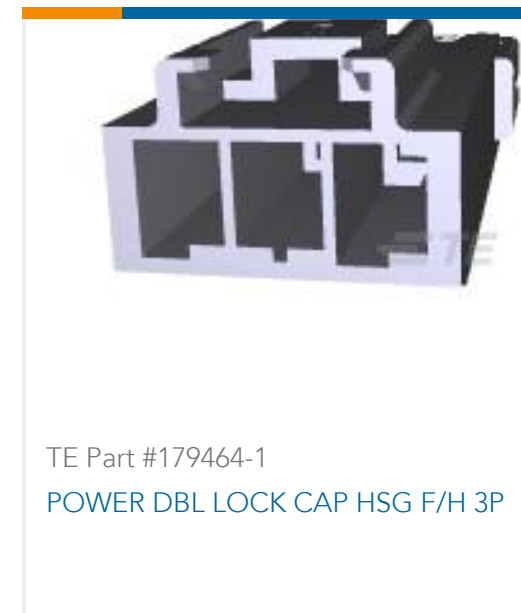
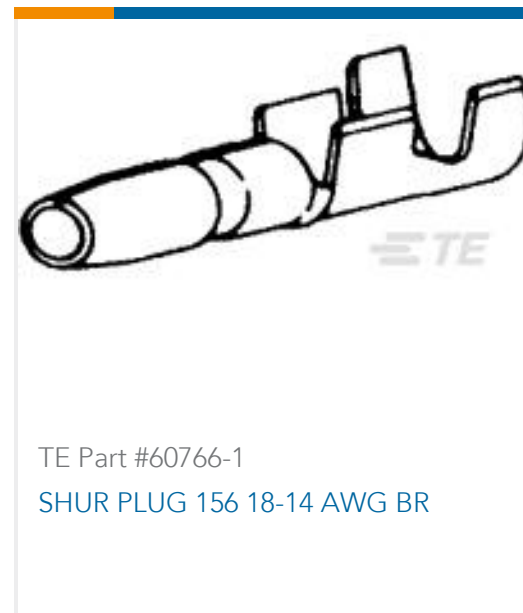
TE Part #177902-1
STD Temp Power Double Lock Plug



TE Part #1-353715-2
DYNAMIC D-3 REC CONT. 3L AU 0.38



TE Part #1-480281-0
FF 250 REC HSG 6P NYLON BLACK



Documents

Product Drawings

[AMP POWER D/LOCK TAB CONT. L/P](#)

English

CAD Files

[3D PDF](#)

3D

Customer View Model

[ENG_CVM_CVM_179595-1_K.2d_dxf.zip](#)

English

Customer View Model

[ENG_CVM_CVM_179595-1_K.3d_igs.zip](#)

English

Customer View Model

[ENG_CVM_CVM_179595-1_K.3d_stp.zip](#)

English

By downloading the CAD file I accept and agree to the [Terms and Conditions](#) of use.

Datasheets & Catalog Pages

[SOFT_SHELL_PIN_AND_SOCKET_CONNECTORS_CATALOG](#)

English

[1773458-5_POWER_DBL_LOCK_\(PDL\)_CONNECTORS](#)

English

Product Specifications

[Engineering Report](#)

English

Product Environmental Compliance

[TE Material Declaration](#)

English

Instruction Sheets

[Instruction Sheet \(non U.S.\)](#)

Japanese