

178833-1 ✓ ACTIVE

[Positive Lock](#) | [Positive Lock 250](#)

TE Internal #: 178833-1

Crimp Terminal Housings, Receptacle, Receptacle, 2 Position, Straight, UL 94V-0, Natural, Nylon, Mating Alignment, Positive Lock 250

[View on TE.com >](#)



Terminals & Splices > Terminal Housings, Insulation Sleeves & Blocks > Crimp Terminal Housings



Terminal Type: **Receptacle**

Connector & Housing Type: **Receptacle**

Number of Positions: **2**

Terminal Orientation: **Straight**

UL Flammability Rating: **UL 94V-0**

## Features

### Product Type Features

Sealable	No
Connector System	Wire-to-Board, Wire-to-Wire
Connector & Contact Terminates To	Wire & Cable
Connector & Housing Type	Receptacle

### Configuration Features

Number of Positions	2
---------------------	---

### Body Features

Primary Product Color	Natural
-----------------------	---------

### Contact Features

Terminal Type	Receptacle
Terminal Orientation	Straight
Contact Mating Retention	Without

### Mechanical Attachment



Mating Alignment Type	Polarization
Mating Alignment	With
Connector Mounting Type	Cable Mount (Free-Hanging)

### Housing Features

Housing Material	Nylon
Centerline (Pitch)	7.95 mm[.312 in]

### Usage Conditions

Operating Temperature Range	-40 – 105 °C[-40 – 221 °F]
-----------------------------	----------------------------

### Industry Standards

UL Flammability Rating	UL 94V-0
------------------------	----------

### Packaging Features

Packaging Quantity	500
--------------------	-----

## Product Compliance

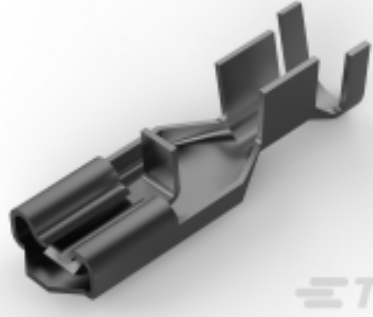





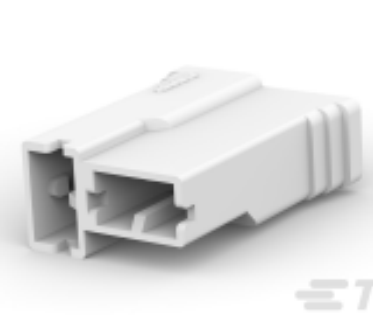
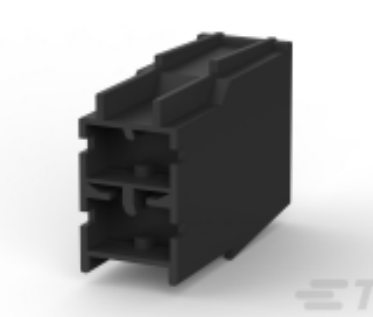
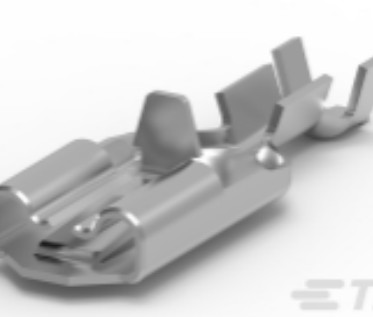
[For compliance documentation, visit the product page on TE.com>](#)

EU RoHS Directive 2011/65/EU	Compliant
EU ELV Directive 2000/53/EC	Compliant
China RoHS 2 Directive MIIT Order No 32, 2016	No Restricted Materials Above Threshold
EU REACH Regulation (EC) No. 1907/2006	Current ECHA Candidate List: JUNE 2023 (235) Candidate List Declared Against: JUNE 2023 (235) Does not contain REACH SVHC
Halogen Content	Low Halogen - Br, Cl, F, I < 900 ppm per homogenous material. Also BFR/CFR/PVC Free
Solder Process Capability	Not applicable for solder process capability





#### Product Compliance Disclaimer

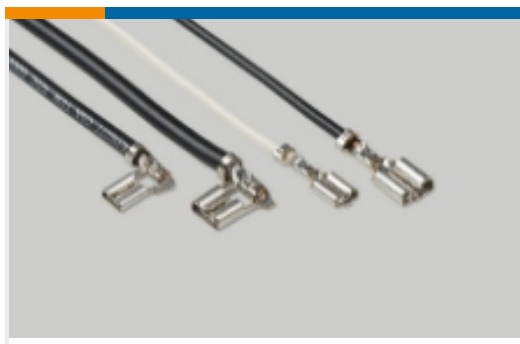
This information is provided based on reasonable inquiry of our suppliers and represents our current actual knowledge based on the information they provided. This information is subject to change. The part numbers that TE has identified as EU RoHS compliant have a maximum concentration of 0.1% by weight in homogenous materials for lead, hexavalent chromium, mercury, PBB, PBDE, DBP, BBP, DEHP, DIBP, and 0.01% for cadmium, or qualify for an exemption to these limits as defined in the Annexes of Directive 2011/65/EU (RoHS2). Finished electrical and electronic equipment products will be CE marked as required by Directive 2011/65/EU. Components may not be CE marked. Additionally, the part numbers that TE has identified as EU ELV compliant have a maximum concentration of 0.1% by weight in homogenous materials for lead, hexavalent chromium, and mercury, and 0.01% for cadmium, or qualify for an exemption to these limits as defined in the Annexes of Directive 2000/53/EC (ELV). Regarding the REACH Regulation, the information TE provides on SVHC in articles for this part number is based on the latest European Chemicals Agency (ECHA) 'Guidance on requirements for substances in articles' posted at this URL: <https://echa.europa.eu/guidance-documents/guidance-on-reach>

## Compatible Parts

 <p>TE Part # 63239-1 POSITIVE LOCK 250 REC 12-10 AWG TPBR</p>	 <p>TE Part # 170335-1 PL 250 RECEPTACLE 15-10 AWG PTPBR</p>	 <p>TE Part # 170329-1 250 PL MKII REC. 15-10AWG PTPBR</p>	 <p>TE Part # 170327-1 250 PL MKII REC. 22-18AWG PTPBR</p>
 <p>TE Part # 170328-1 250 PL MKII REC. 18-14AWG PTPBR</p>	 <p>TE Part # 170333-1 PL 250 RECEPTACLE 22-18 AWG PTPBR</p>	 <p>TE Part # 926522-2 PL 250 REC HSG 2P NYLON NAT</p>	 <p>TE Part # 170334-1 205 PL MII,REC.,18-14,PTBR</p>
 <p>TE Part # 1-926522-2 PL 250 REC HSG 2P NYLON NAT</p>	 <p>TE Part # 100100-1 2 POS POSITIVE LOCK (PL) HOUSING</p>	 <p>TE Part # 2238155-1 POS LOCK 250 Rec, MKII, 18-14 TPBR</p>	 <p>TE Part # 2238156-1 POS LOCK 250 Rec, MKII, 22-18 TPBR</p>

## Also in the Series | Positive Lock 250

 <p>Automotive Terminals(1)</p>	 <p>Crimp Terminal Housings(193)</p>	 <p>Insertion &amp; Extraction Tools(3)</p>	 <p>Insulation Boots &amp; Sleeves(4)</p>
--	---	--	--



Quick Disconnects(186)

### Customers Also Bought



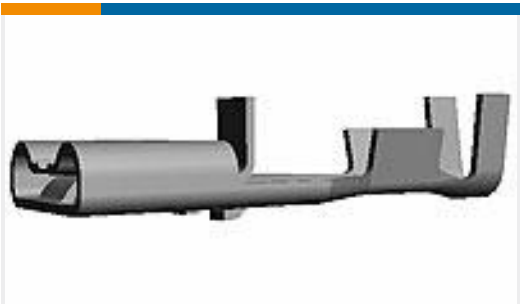
TE Part #917699-1  
2.5 SIGNAL DBL LOCK D.L.P 3P



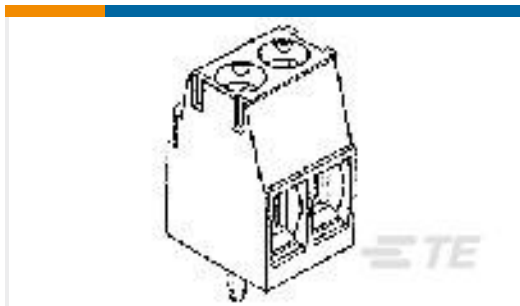
TE Part #917684-1  
2.5 SIGNAL DBL LOCK REC CONT M



TE Part #1-6609036-3  
20VSK6=F7586 S0



TE Part #170328-1  
250 PL MKII REC. 18-14AWG PTBR



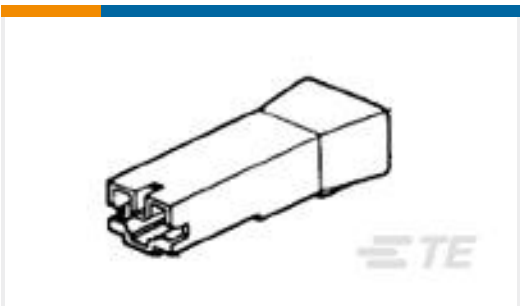
TE Part #284391-4  
TERMI-BLOK PCB SIDE ENTRY STAC



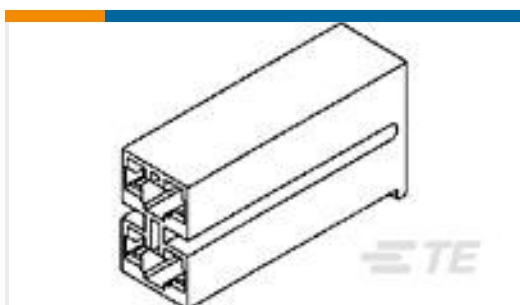
TE Part #2232563-1  
GHC 9.0MM 3POS TPA



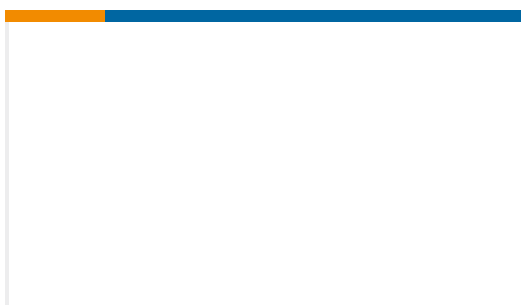
TE Part #179464-1  
POWER DBL LOCK CAP HSG F/H 3P



TE Part #177627-1  
PL .250 (6.3 MM) HOUSING RECEPTACLE



TE Part #172210-6  
POSITIVE LOCK 250 HOUSING RECEPTACLE



TE Part #917687-9  
2.5 SIGNAL D/LOCK PLUG HSG 3P

### Documents

#### Product Drawings

[POSITIVE LOCK .250 HOUSING RECEPTACLE](#)

English

#### CAD Files

[3D PDF](#)

[3D](#)

#### Customer View Model

[ENG\\_CVM\\_CVM\\_178833-1\\_A.2d\\_dxf.zip](#)



English

**Customer View Model**

[ENG\\_CVM\\_CVM\\_178833-1\\_A.3d\\_igs.zip](#)

English

**Customer View Model**

[ENG\\_CVM\\_CVM\\_178833-1\\_A.3d\\_stp.zip](#)

English

By downloading the CAD file I accept and agree to the [Terms and Conditions](#) of use.

---

## Datasheets & Catalog Pages

**Positive Lock Receptacles**

English

---

## Product Environmental Compliance

**Product Compliance**

English

**Product Compliance**

English

---

## Agency Approvals

**CSA Certificate**

English

**CSA Certificate**

English