



**Power Double Lock**

TE Internal #: 177915-9

Connector Contacts, Receptacle, Tin, Pre-Tin, 300 VAC, Locking  
Lance Contact Retention, Discrete Wire, 20 – 16 AWG Wire Size,  
Power Double Lock

[View on TE.com >](#)

Connectors > Rectangular Connectors > Connector Contacts



Contact Type: **Receptacle**

Contact Mating Area Plating Material: **Tin**

Wire Contact Termination Area Plating Material: **Pre-Tin**

Operating Voltage: **300 VAC**

Contact Retention Within Housing: **With**

**Features**

**Product Type Features**

Discrete Wire Type	Stranded
Connector & Contact Terminates To	Wire & Cable

**Configuration Features**

Compatible With Wire & Cable Type	Discrete Wire
-----------------------------------	---------------

**Electrical Characteristics**

Operating Voltage	300 VAC
-------------------	---------

**Contact Features**

Wire Contact Termination Area Plating Thickness	.8 – 1 µm[31.49 – 39.36 µin]
Contact Mating Area Plating Material Thickness	.8 – 1 µm[31.49 – 39.36 µin]
Contact Shape & Form	Square
	.559 in
Barrel Type	Open
Contact Type	Receptacle
Contact Mating Area Plating Material	Tin



Wire Contact Termination Area Plating Material	Pre-Tin
Contact Retention Within Housing	With
Contact Base Material	Copper Alloy
Contact Current Rating (Max)	10 A

### Termination Features

Termination Method to Wire & Cable	Crimp
------------------------------------	-------

### Mechanical Attachment

Contact Retention Type Within Housing	Locking Lance
---------------------------------------	---------------

### Dimensions

Compatible Insulation Diameter Range	1.8 – 3.1 mm [.071 – .122 in]
Wire Size	.5 – 1.25 mm <sup>2</sup>

### Usage Conditions

Operating Temperature Range	-30 – 105 °C [-22 – 221 °F]
-----------------------------	-----------------------------

### Operation/Application

For Multiple Crimp	No
Circuit Application	Power

### Industry Standards

CSA Rating	Certified, LR 7189
Agency/Standard	CSA, UL, VDE

### Packaging Features

Packaging Quantity	4000
Packaging Method	Reel

### Product Compliance

[For compliance documentation, visit the product page on TE.com>](#)

EU RoHS Directive 2011/65/EU	Compliant
EU ELV Directive 2000/53/EC	Compliant
China RoHS 2 Directive MIIT Order No 32, 2016	No Restricted Materials Above Threshold
EU REACH Regulation (EC) No. 1907/2006	Current ECHA Candidate List: JUNE 2023 (235) Candidate List Declared Against: JUNE 2023 (235) Does not contain REACH SVHC










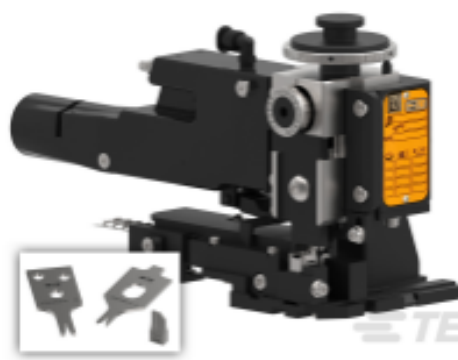




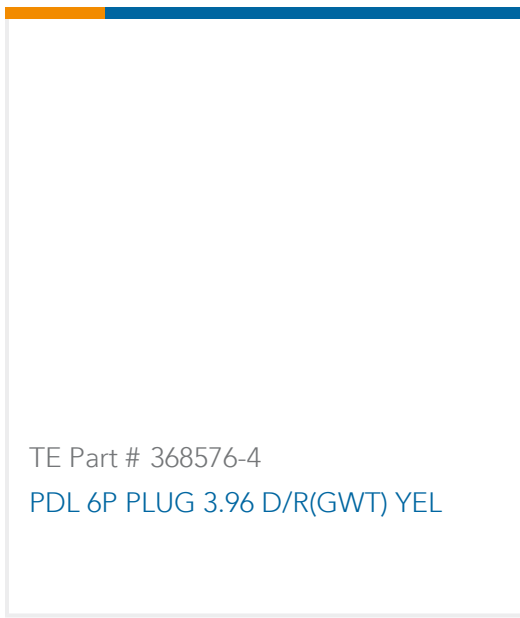
Halogen Content	Low Halogen - Br, Cl, F, I < 900 ppm per homogenous material. Also BFR/CFR/PVC Free
Solder Process Capability	Not applicable for solder process capability

Product Compliance Disclaimer

This information is provided based on reasonable inquiry of our suppliers and represents our current actual knowledge based on the information they provided. This information is subject to change. The part numbers that TE has identified as EU RoHS compliant have a maximum concentration of 0.1% by weight in homogenous materials for lead, hexavalent chromium, mercury, PBB, PBDE, DBP, BBP, DEHP, DIBP, and 0.01% for cadmium, or qualify for an exemption to these limits as defined in the Annexes of Directive 2011/65/EU (RoHS2). Finished electrical and electronic equipment products will be CE marked as required by Directive 2011/65/EU. Components may not be CE marked. Additionally, the part numbers that TE has identified as EU ELV compliant have a maximum concentration of 0.1% by weight in homogenous materials for lead, hexavalent chromium, and mercury, and 0.01% for cadmium, or qualify for an exemption to these limits as defined in the Annexes of Directive 2000/53/EC (ELV). Regarding the REACH Regulation, the information TE provides on SVHC in articles for this part number is based on the latest European Chemicals Agency (ECHA) 'Guidance on requirements for substances in articles' posted at this URL: <https://echa.europa.eu/guidance-documents/guidance-on-reach>

## Compatible Parts

 <p>TE Part # 1-179466-5 AMP POWER DBL LOCK CAP HSG 6P Black</p>	 <p>TE Part # 2305570-1 Strip Terminal Cutter-Side Feed-No Crimp</p>	 <p>TE Part # CAT-P87024-P729A Glow Wire Power Double Lock Plug</p>	 <p>TE Part # 1-177901-5 POWER DBL LOCK PLUG HSG 6P Black</p>
 <p>TE Part # 234912-1 EXT TOOL FOR POWER DBL LOK REC</p>	 <p>TE Part # 91569-1 CCII POWER DBL LOCK L REC TAB 20-16 ASSY</p>	 <p>TE Part # 2151074-1 OCEAN_2.0_APPLICATIONATOR-S-080F130F</p>	 <p>TE Part # 2151074-2 OCEAN_2.0_APPLICATIONATOR-S-080F130FA</p>
 <p>TE Part # 7-2151074-1 OCEAN_2.0_APPLICATIONATOR-S-080F130F</p>	 <p>TE Part # 7-2151074-2 OCEAN_2.0_APPLICATIONATOR-S-080F130FA</p>	 <p>TE Part # 7-2151074-7 OCEAN_2.0_SPARE_PART_KIT-080F130F</p>	 <p>TE Part # 2-2151074-1 OCEAN_2.0_APPLICATIONATOR-S-080F130F</p>



TE Part # 368576-4  
PDL 6P PLUG 3.96 D/R(GWT) YEL

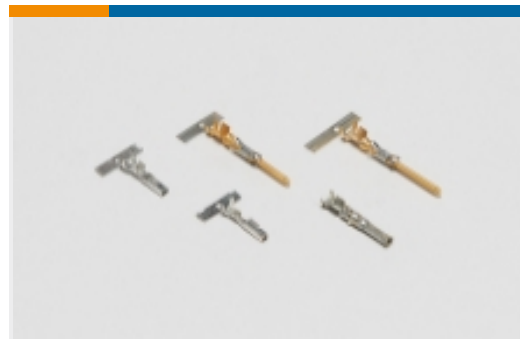
### Also in the Series | Power Double Lock



Connector Contacts(1)



Insertion & Extraction Tools(2)



Power Contacts(23)

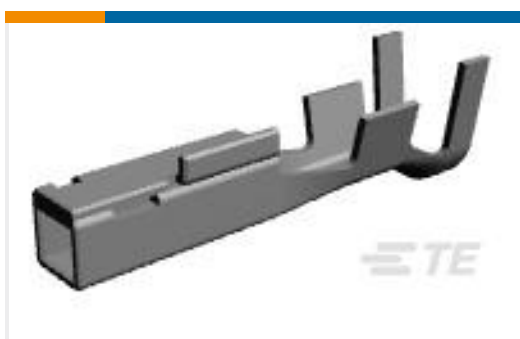


Rectangular Connector Locking(14)



Rectangular Power Connectors(284)

### Customers Also Bought



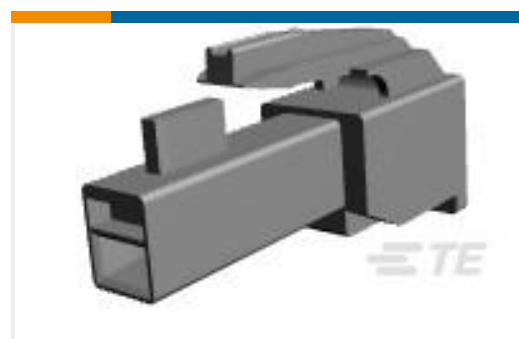
TE Part #1565079-1  
GRACE INERTIA 3.5 REC CONTACT(L)



TE Part #1565080-1  
GRACE INERTIA 3.5 TAB CONTACT(L)



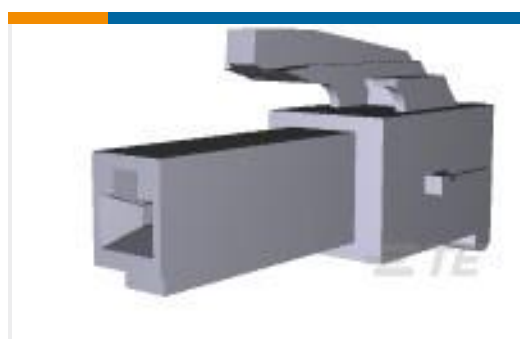
TE Part #1565086-1  
STD Temp GRACE INERTIA Cap



TE Part #176270-1  
UNIV POWER PLUG HSG 1P F/H



TE Part #1565089-1  
GRACE INERTIA CONNECTOR 3.5 2P



TE Part #316768-2  
POWER DBL LOCK PLUG HSG 1P RED



## Documents

### Product Drawings

#### POWER DBL LOCK REC CONT

English

---

### CAD Files

#### Customer View Model

##### ENG\_CVM\_CVM\_177915-9\_L.2d\_dxf.zip

English

#### 3D PDF

3D

#### Customer View Model

##### ENG\_CVM\_CVM\_177915-9\_L.3d\_igs.zip

English

#### Customer View Model

##### ENG\_CVM\_CVM\_177915-9\_L.3d\_stp.zip

English

By downloading the CAD file I accept and agree to the [Terms and Conditions](#) of use.

---

### Datasheets & Catalog Pages

#### SOFT\_SHELL\_PIN\_AND\_SOCKET\_CONNECTORS\_CATALOG

English

---

### Product Specifications

#### Application Specification

English

---

### Instruction Sheets

#### Instruction Sheet (non U.S.)

English

#### AMP POWER DOUBLELOCK CONNECTOR SERIES

English

---

### Agency Approvals

#### CSA Certificate

English