

177619-1 ✓ ACTIVE

AMPLIMITE | AMPLIMITE Kit

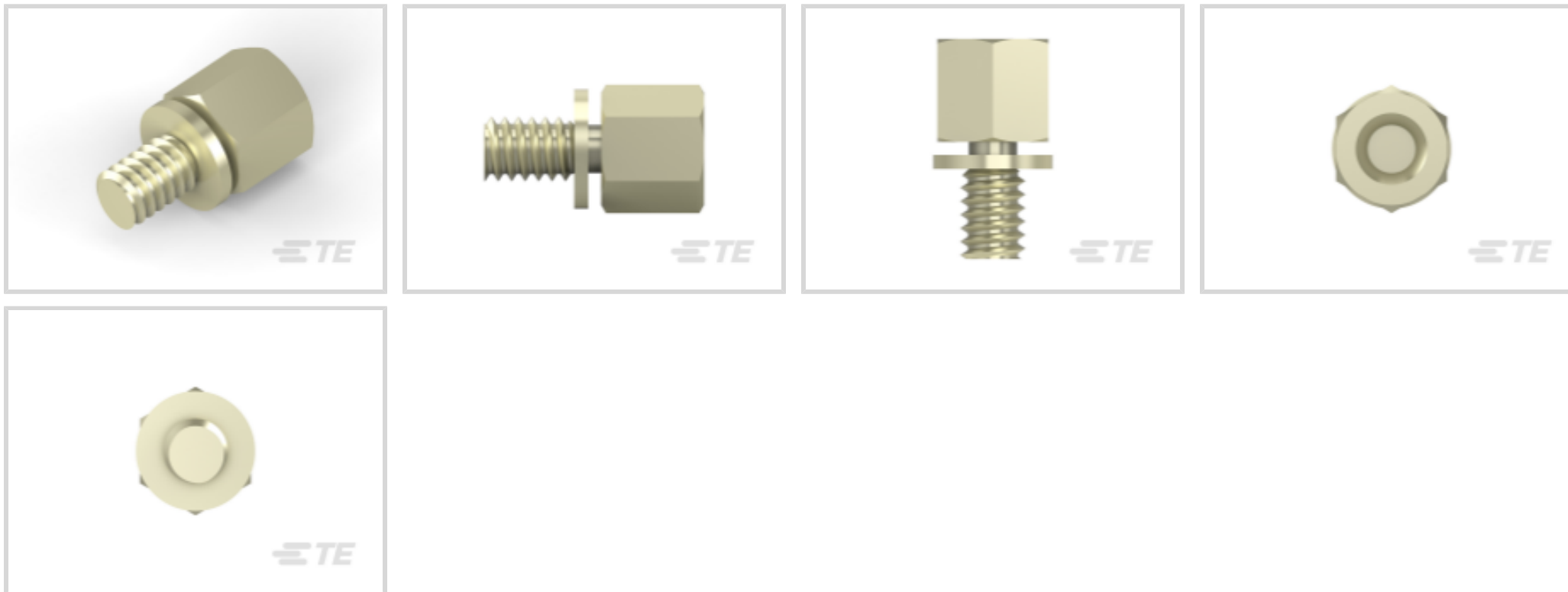
TE Internal #: 177619-1

D-Sub Locking & Mounting, Screwlock, Screw Length 9.4 mm [.37 in], AMPLIMITE Kit

[View on TE.com >](#)



Connectors > D-Shaped Connectors > D-Sub Accessories > D-Sub Locking & Mounting



Connector Mounting Accessory Type: **Screwlock**

Screw Length: **9.4 mm [.37 in]**

Features

Product Type Features

Connector Mounting Accessory Type	Screwlock
-----------------------------------	-----------

Mechanical Attachment

Screw Plating Material	Nickel
Screwlock Style	Screwlock with Lockwasher
Screw Material	Carbon Steel
Screw Finish	None
Thread Size	4-40 UNC 2A (Male), 4-40 UNC 2B (Female)
Screw Length	9.4 mm [.37 in]

Dimensions

Thread Length	5 mm [.197 in]
---------------	----------------

Packaging Features

Packaging Quantity	1000
Packaging Method	Bag

Product Compliance

[For compliance documentation, visit the product page on TE.com>](#)

EU RoHS Directive 2011/65/EU	Compliant
EU ELV Directive 2000/53/EC	Compliant
China RoHS 2 Directive MIIT Order No 32, 2016	No Restricted Materials Above Threshold
EU REACH Regulation (EC) No. 1907/2006	Current ECHA Candidate List: JUNE 2023 (235) Candidate List Declared Against: JUNE 2023 (235) Does not contain REACH SVHC
Halogen Content	Low Halogen - Br, Cl, F, I < 900 ppm per homogenous material. Also BFR/CFR/PVC Free
Solder Process Capability	Not applicable for solder process capability

Product Compliance Disclaimer

This information is provided based on reasonable inquiry of our suppliers and represents our current actual knowledge based on the information they provided. This information is subject to change. The part numbers that TE has identified as EU RoHS compliant have a maximum concentration of 0.1% by weight in homogenous materials for lead, hexavalent chromium, mercury, PBB, PBDE, DBP, BBP, DEHP, DIBP, and 0.01% for cadmium, or qualify for an exemption to these limits as defined in the Annexes of Directive 2011/65/EU (RoHS2). Finished electrical and electronic equipment products will be CE marked as required by Directive 2011/65/EU. Components may not be CE marked. Additionally, the part numbers that TE has identified as EU ELV compliant have a maximum concentration of 0.1% by weight in homogenous materials for lead, hexavalent chromium, and mercury, and 0.01% for cadmium, or qualify for an exemption to these limits as defined in the Annexes of Directive 2000/53/EC (ELV). Regarding the REACH Regulation, the information TE provides on SVHC in articles for this part number is based on the latest European Chemicals Agency (ECHA) 'Guidance on requirements for substances in articles' posted at this URL: <https://echa.europa.eu/guidance-documents/guidance-on-reach>

Compatible Parts



Also in the Series | **AMPLIMITE Kit**



Connector Backshells(102)



Connector Strain Relief(30)



D-Sub Contact Accessories(1)

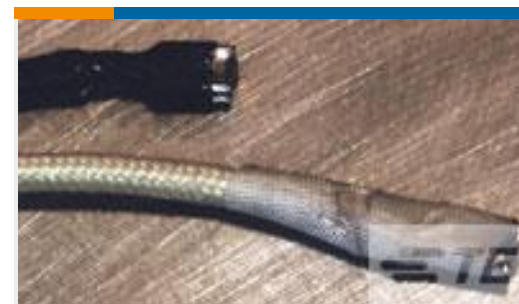
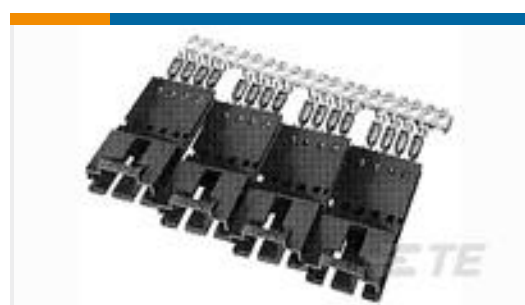
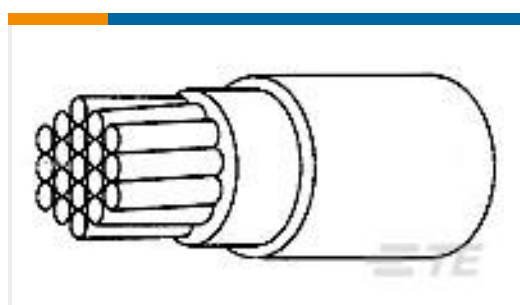


D-Sub Covers(3)



D-Sub Locking & Mounting(119)

Customers Also Bought

TE Part #6609037-1
3EP1=F7169 S0TE Part #1658678-1
KIT,HDP-22,ENCLSUR,PLUG,SIZE 1TE Part #745254-7
20 DF PIN CONT L.P.TE Part #9965874002
RT555-1-0-SPTE Part #5-103945-1
8X2 MTE SHRD PIN SR LATCH .100TE Part #8334953001
100G0111-0.75-9TE Part #BSA200N00420235000
923 PLUGTE Part #5-2176366-6
RQ 0603 1K62 0.1% 10PPM 1K RL

Documents

[Product Drawings](#)
[AMPLIMITE SCREW LOCK](#)

Japanese

CAD Files

[3D PDF](#)

3D

Customer View Model

[ENG_CVM_CVM_177619-1_B.2d_dxf.zip](#)



English

Customer View Model

[ENG_CVM_CVM_177619-1_B.3d_igs.zip](#)

English

Customer View Model

[ENG_CVM_CVM_177619-1_B.3d_stp.zip](#)

English

By downloading the CAD file I accept and agree to the [Terms and Conditions](#) of use.

Product Specifications

[Product Specification](#)

English