

1775443-7 ✓ ACTIVE

TE Internal #: 1775443-7

PCB Mount Header, Vertical, Wire-to-Board, 7 Position, 1.5 mm [.059 in] Centerline, Fully Shrouded, Tin, Surface Mount, Signal, Natural

[View on TE.com >](#)



Connectors > PCB Connectors > PCB Headers & Receptacles > AMP HPI 1.5 mm Headers



Connector System: **Wire-to-Board**

Number of Positions: **7**

Number of Rows: **1**

Centerline (Pitch): **1.5 mm [.059 in]**

PCB Mount Orientation: **Vertical**

[All AMP HPI 1.5 mm Headers \(57\)](#)

## Features

### Product Type Features

|                                   |                       |
|-----------------------------------|-----------------------|
| Connector System                  | Wire-to-Board         |
| Header Type                       | Fully Shrouded        |
| Sealable                          | No                    |
| Connector & Contact Terminates To | Printed Circuit Board |
| PCB Connector Assembly Type       | PCB Mount Header      |

### Configuration Features

|                       |          |
|-----------------------|----------|
| Number of Positions   | 7        |
| Number of Rows        | 1        |
| PCB Mount Orientation | Vertical |

### Electrical Characteristics

|                   |         |
|-------------------|---------|
| Operating Voltage | 250 VAC |
|-------------------|---------|

### Body Features

|                       |         |
|-----------------------|---------|
| Primary Product Color | Natural |
|-----------------------|---------|



### Contact Features

|   |                            |
|---|----------------------------|
| Contact Mating Area Length                              | 2.7 mm[.106 in]            |
| Mating Square Post Dimension                            | .4 mm[.016 in]             |
| PCB Contact Termination Area Plating Material Thickness | 2.54 $\mu$ m[100 $\mu$ in] |
| Contact Layout  | Inline                     |
| Contact Mating Area Plating Material Thickness          | 2.54 $\mu$ m[100 $\mu$ in] |
| PCB Contact Termination Area Plating Material Finish    | Bright                     |
| Contact Shape & Form                                    | Square                     |
| Contact Mating Area Plating Material Finish             | Bright                     |
| PCB Contact Termination Area Plating Material           | Tin                        |
| Contact Base Material                                   | Brass                      |
| Contact Mating Area Plating Material                    | Tin                        |
| Contact Type  | Pin                        |
| Contact Current Rating (Max)                            | 3 A                        |

### Termination Features

|   |                  |
|---|------------------|
| Rectangular Termination Post & Tail Thickness | .4 mm[.016 in]   |
| Terminations per Post (Max)                   | 3                |
| Rectangular Termination Post & Tail Width     | .6 mm[.024 in]   |
| Termination Post & Tail Length                | 1.55 mm[.061 in] |
| Termination Method to Printed Circuit Board   | Surface Mount    |

### Mechanical Attachment

|                         |              |
|-------------------------|--------------|
| Mating Alignment Type   | Polarization |
| Mating Retention        | Without      |
| Connector Mounting Type | Board Mount  |
| Mating Alignment        | With         |
| PCB Mount Alignment     | Without      |
| PCB Mount Retention     | Without      |

### Housing Features

|                    |                 |
|--------------------|-----------------|
| Housing Material   | Thermoplastic   |
| Centerline (Pitch) | 1.5 mm[.059 in] |

### Dimensions

|                  |                |
|------------------|----------------|
| Connector Length | 12 mm[.472 in] |
|------------------|----------------|



|                  |               |
|------------------|---------------|
| Connector Height | 5 mm[.197 in] |
|------------------|---------------|

|                 |               |
|-----------------|---------------|
| Connector Width | 6 mm[.236 in] |
|-----------------|---------------|

### Usage Conditions

|                             |                            |
|-----------------------------|----------------------------|
| Operating Temperature Range | -55 – 105 °C[-67 – 221 °F] |
|-----------------------------|----------------------------|

### Operation/Application

|                     |        |
|---------------------|--------|
| Circuit Application | Signal |
|---------------------|--------|

### Industry Standards

|                        |          |
|------------------------|----------|
| UL Flammability Rating | UL 94V-0 |
|------------------------|----------|

### Packaging Features

|                    |    |
|--------------------|----|
| Packaging Quantity | 45 |
|--------------------|----|

|                |           |
|----------------|-----------|
| Packaging Type | Box, Tube |
|----------------|-----------|

### Product Compliance

[For compliance documentation, visit the product page on TE.com>](#)

|                              |           |
|------------------------------|-----------|
| EU RoHS Directive 2011/65/EU | Compliant |
|------------------------------|-----------|

|                             |                  |
|-----------------------------|------------------|
| EU ELV Directive 2000/53/EC | Not Yet Reviewed |
|-----------------------------|------------------|

|   |   |
|---|---|
| China RoHS 2 Directive MIIT Order No 32, 2016 | No Restricted Materials Above Threshold |
|---|---|

|  |   |
|--|---|
| EU REACH Regulation (EC) No. 1907/2006 | Current ECHA Candidate List: JUNE 2023 (235)<br>Candidate List Declared Against: JUNE 2022 (224)<br>Does not contain REACH SVHC |
|--|---|

|                 |   |
|-----------------|---|
| Halogen Content | Low Halogen - Br, Cl, F, I < 900 ppm per homogenous material. Also BFR/CFR/PVC Free |
|-----------------|---|

|                           |                                |
|---------------------------|--------------------------------|
| Solder Process Capability | Reflow solder capable to 260°C |
|---------------------------|--------------------------------|

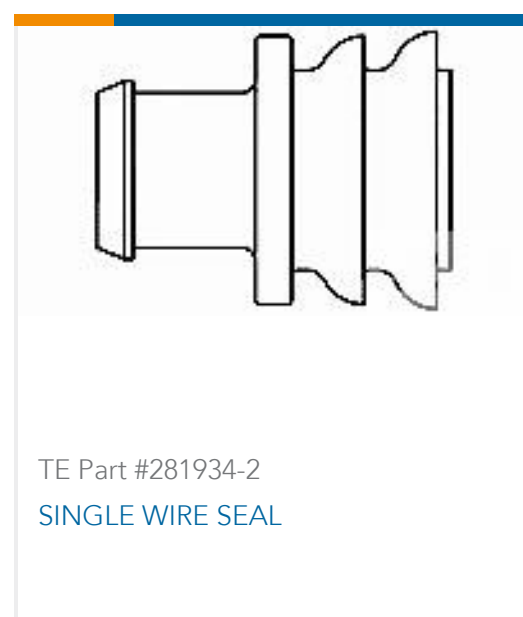
#### Product Compliance Disclaimer

This information is provided based on reasonable inquiry of our suppliers and represents our current actual knowledge based on the information they provided. This information is subject to change. The part numbers that TE has identified as EU RoHS compliant have a maximum concentration of 0.1% by weight in homogenous materials for lead, hexavalent chromium, mercury, PBB, PBDE, DBP, BBP, DEHP, DIBP, and 0.01% for cadmium, or qualify for an exemption to these limits as defined in the Annexes of Directive 2011/65/EU (RoHS2). Finished electrical and electronic equipment products will be CE marked as required by Directive 2011/65/EU. Components may not be CE marked. Additionally, the part numbers that TE has identified as EU ELV compliant have a maximum concentration of 0.1% by weight in homogenous materials for lead, hexavalent chromium, and mercury, and 0.01% for cadmium, or qualify for an exemption to these limits as defined in the Annexes of Directive 2000/53/EC (ELV). Regarding the REACH Regulation, the information TE provides on SVHC in articles for this part number is based on the latest European Chemicals Agency (ECHA) 'Guidance on requirements for substances in articles' posted at this URL: <https://echa.europa.eu/guidance-documents/guidance-on-reach>

## Compatible Parts



## Customers Also Bought



## Documents

### Product Drawings

EMIX CONN., 1.5MM PITCH, HDR, V/T, 7P

English

### CAD Files

3D PDF

3D

Customer View Model

[ENG\\_CVM\\_CVM\\_1775443-7\\_B4.2d\\_dxf.zip](#)

English

Customer View Model

[ENG\\_CVM\\_CVM\\_1775443-7\\_B4.3d\\_igs.zip](#)

English

Customer View Model

[ENG\\_CVM\\_CVM\\_1775443-7\\_B4.3d\\_stp.zip](#)



English

By downloading the CAD file I accept and agree to the [Terms and Conditions](#) of use.

---

**Datasheets & Catalog Pages**

[HPI Connectors QRG](#)

English

---

**Product Specifications**

[Application Specification](#)

English

---

**Agency Approvals**

[UL Report](#)

English