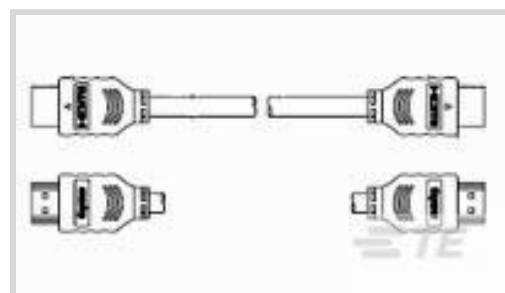




Cable Assemblies > Copper Cable Assemblies > Multimedia Cable Assemblies > HDMI Cable Assemblies



Cable Assembly Length: 2 m [6.561667 ft]

Features

Configuration Features

Number of Positions	19
---------------------	----

Body Features

Cable Color	Black
Shell Plating Material	Nickel
Equalized	Yes

Contact Features

Contact Mating Area Plating Material	Gold
--------------------------------------	------

Dimensions

Wire Size	30 AWG
-----------	--------

Operation/Application

Shielded	Yes
----------	-----

Other

Cable Assembly Configuration	Double Ended
Cable Assembly Length	2 m[6.561667 ft]

Product Compliance

[For compliance documentation, visit the product page on TE.com>](#)

EU RoHS Directive 2011/65/EU	Compliant
EU ELV Directive 2000/53/EC	Compliant
China RoHS 2 Directive MIIT Order No 32, 2016	No Restricted Materials Above Threshold
EU REACH Regulation (EC) No. 1907/2006	Current ECHA Candidate List: JUNE 2023 (235) Candidate List Declared Against: JUNE 2023 (235)

Does not contain REACH SVHC

Halogen Content

Not Low Halogen - contains Br or Cl > 900 ppm.

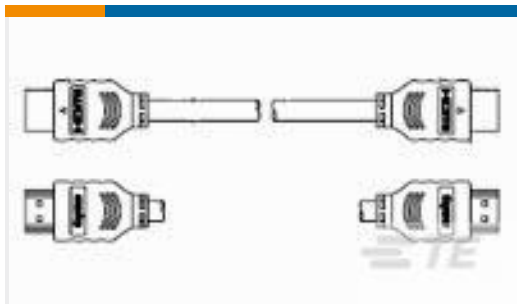
Solder Process Capability

Not applicable for solder process capability

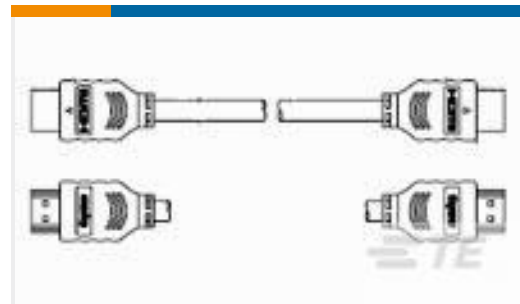
Product Compliance Disclaimer

This information is provided based on reasonable inquiry of our suppliers and represents our current actual knowledge based on the information they provided. This information is subject to change. The part numbers that TE has identified as EU RoHS compliant have a maximum concentration of 0.1% by weight in homogenous materials for lead, hexavalent chromium, mercury, PBB, PBDE, DBP, BBP, DEHP, DIBP, and 0.01% for cadmium, or qualify for an exemption to these limits as defined in the Annexes of Directive 2011/65/EU (RoHS2). Finished electrical and electronic equipment products will be CE marked as required by Directive 2011/65/EU. Components may not be CE marked. Additionally, the part numbers that TE has identified as EU ELV compliant have a maximum concentration of 0.1% by weight in homogenous materials for lead, hexavalent chromium, and mercury, and 0.01% for cadmium, or qualify for an exemption to these limits as defined in the Annexes of Directive 2000/53/EC (ELV). Regarding the REACH Regulation, the information TE provides on SVHC in articles for this part number is based on the latest European Chemicals Agency (ECHA) 'Guidance on requirements for substances in articles' posted at this URL: <https://echa.europa.eu/guidance-documents/guidance-on-reach>

Compatible Parts



TE Part # 1770019-6
CABLE ASSY, HDMI



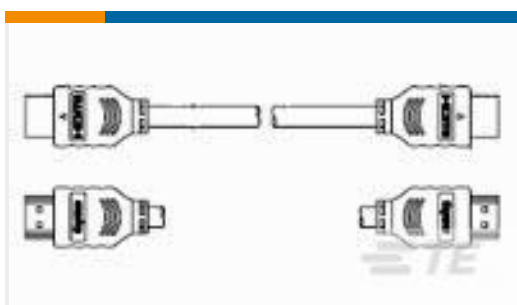
TE Part # 1770019-4
CABLE ASSY, HDMI



TE Part # 1770019-3
CABLE ASSY, HDMI



TE Part # 1770019-2
C/A, HDMI TO HDMI, 3000MM



TE Part # 1770019-5
CABLE ASSY, HDMI

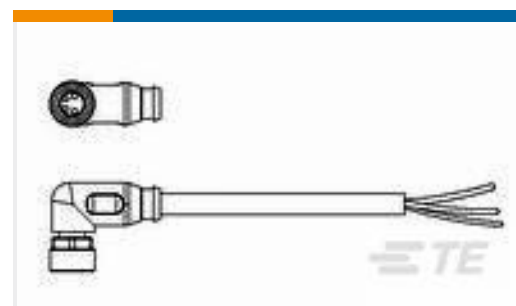
Customers Also Bought



TE Part #6609103-6
PM0S0DH60=C1239



TE Part #1-6609006-7
15EEJ1=F8021 S0



TE Part #2273011-1
M8 x 1.0 Angled socket Pigtail



TE Part #0181534002
RT555-3/8-0-SP



TE Part #1-770621-0
12P MINI UMNL DBL ROW HDR ASSY



TE Part #4-1393240-5
RT334012



TE Part #098-10001
ML SENSOR .25 DIA EPOXY W/QDIS



TE Part #ZPF000000000137993
787-8055-13M



TE Part #2232043-3
3P, RAST 5 Tab Header, THV



TE Part #292254-4
CT RELAY HDR ASSY 4P NAT

Documents

Product Drawings

[C/A, HDMI TO HDMI, 2000MM](#)

English

CAD Files

[3D PDF](#)

3D

Customer View Model

[ENG_CVM_CVM_1770019-1_K.2d_dxf.zip](#)

English

Customer View Model

[ENG_CVM_CVM_1770019-1_K.3d_igs.zip](#)

English

Customer View Model

[ENG_CVM_CVM_1770019-1_K.3d_stp.zip](#)

English

By downloading the CAD file I accept and agree to the [Terms and Conditions](#) of use.

Product Specifications

[Application Specification](#)

English

Product Environmental Compliance

[Product Compliance](#)

English

[Product Compliance](#)

English

1770019-1

2 m [6.561667 ft]

