

176143-2 ✓ ACTIVE

AMP | Econoseal

TE Internal #: 176143-2

Housing for Male Terminals, Wire-to-Wire, 2 Position, .311 in [7.9 mm] Centerline, Sealable, Black, Signal, Cable Mount (Free-Hanging), Econoseal

[View on TE.com >](#)



Connectors > Automotive Connectors > Automotive Housings > ECONOSEAL, CONNECTOR HOUSING



Connector System: **Wire-to-Wire**

Number of Positions: **2**

Connector & Housing Type: **Housing for Male Terminals**

Centerline (Pitch): **7.9 mm [ .311 in ]**

Sealable: **Yes**

[All ECONOSEAL, CONNECTOR HOUSING \(108\)](#)

## Features

### Product Type Features

Hybrid Connector	No
Connector Shape	Rectangular
Connector System	Wire-to-Wire
Connector & Housing Type	Housing for Male Terminals
Sealable	Yes
Primary Locking Feature	Integrated in Housing

### Configuration Features

Number of Positions	2
Number of Rows	1

### Electrical Characteristics

Operating Voltage	13 VDC
Nominal Voltage Architecture	12 V

### Body Features

Cable Exit Angle	180°
Primary Product Color	Black

### Contact Features

--	--



Contact Size	4.8mm
Contact Type	Tab
Mating Tab Width	4.8 mm[.189 in]

#### Mechanical Attachment

Terminal Position Assurance	Yes
Strain Relief	Without
Mating Alignment Type	Polarization
Mating Alignment	With
Connector Mounting Type	Cable Mount (Free-Hanging)

#### Housing Features

Housing Material	PBT
Centerline (Pitch)	7.9 mm[.311 in]

#### Dimensions

Connector Height	24.1 mm[.949 in]
Product Width	23.3 mm[.917 in]
Product Length	45 mm[1.772 in]

#### Usage Conditions

Operating Temperature (Max)	70 °C, 75 °C, 80 °C, 85 °C, 90 °C, 100 °C, 105 °C[158 °F][167 °F][176 °F][185 °F][194 °F][212 °F][221 °F]
Operating Temperature Range	-30 – 105 °C[-22 – 221 °F]

#### Operation/Application

Circuit Application	Signal
---------------------	--------

#### Industry Standards

UL Flammability Rating	UL 94V-2
------------------------	----------

#### Packaging Features

Packaging Quantity	50
Packaging Method	Bag

#### Other

Serviceable	Yes
Connector Position Assurance Capable	No

## Product Compliance

For compliance documentation, visit the product page on [TE.com](#)>

EU RoHS Directive 2011/65/EU	Compliant
EU ELV Directive 2000/53/EC	Compliant
China RoHS 2 Directive MIIT Order No 32, 2016	No Restricted Materials Above Threshold
EU REACH Regulation (EC) No. 1907/2006	Current ECHA Candidate List: JUNE 2023 (235) Candidate List Declared Against: JUNE 2023 (235) Does not contain REACH SVHC
Halogen Content	Not Low Halogen - contains Br or Cl > 900 ppm.
Solder Process Capability	Not applicable for solder process capability

### Product Compliance Disclaimer

This information is provided based on reasonable inquiry of our suppliers and represents our current actual knowledge based on the information they provided. This information is subject to change. The part numbers that TE has identified as EU RoHS compliant have a maximum concentration of 0.1% by weight in homogenous materials for lead, hexavalent chromium, mercury, PBB, PBDE, DBP, BBP, DEHP, DIBP, and 0.01% for cadmium, or qualify for an exemption to these limits as defined in the Annexes of Directive 2011/65/EU (RoHS2). Finished electrical and electronic equipment products will be CE marked as required by Directive 2011/65/EU. Components may not be CE marked. Additionally, the part numbers that TE has identified as EU ELV compliant have a maximum concentration of 0.1% by weight in homogenous materials for lead, hexavalent chromium, and mercury, and 0.01% for cadmium, or qualify for an exemption to these limits as defined in the Annexes of Directive 2000/53/EC (ELV). Regarding the REACH Regulation, the information TE provides on SVHC in articles for this part number is based on the latest European Chemicals Agency (ECHA) 'Guidance on requirements for substances in articles' posted at this URL: <https://echa.europa.eu/guidance-documents/guidance-on-reach>

## Compatible Parts

 <p>TE Part # 176146-2 187 PLUG HSG 2P BLACK</p>	 <p>TE Part # 85024-1 RUBBER PLUG GRAY FOR 187 SEALD</p>	 <p>TE Part # 85003-2 187 CLIP HSG</p>	 <p>TE Part # 85003-1 187 CLIP HSG</p>
---	--	---	---

## Also in the Series | Econoseal



Automotive Connector Caps & Covers (1)



Automotive Connector Locks & Position Assurance(25)



Automotive Housings(105)



Automotive Terminals(48)



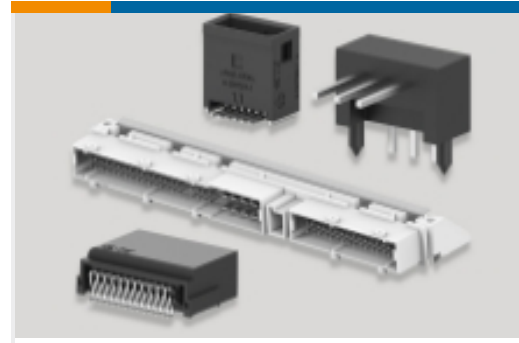
Connector Seals & Cavity Plugs(19)



Insertion & Extraction Tools(7)



Other Automotive Connector Accessories(5)



PCB Headers & Receptacles(4)



Primary Wire(1)

## Customers Also Bought



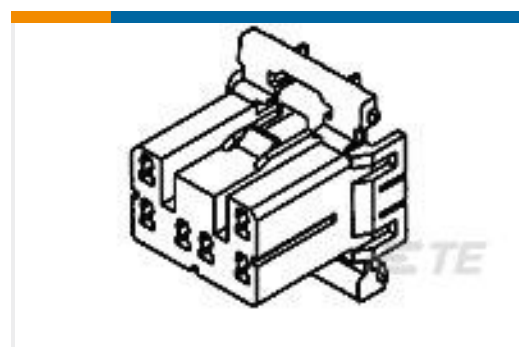
TE Part #176146-2  
187 PLUG HSG 2P BLACK



TE Part #175088-1  
Econoseal Receptacles and Tabs



TE Part #1897214-1  
MCP 6.3 2P PLUG ASSY



TE Part #368543-1  
070 MLC PLUG 14P HSG



TE Part #85011-1  
RUBBER PLUG FOR SEALED CONN.



TE Part #1-1719103-1  
PCB 2.8 TERMINAL SN



TE Part #968043-1  
SINGLE WIRE SEAL



TE Part #2188250-2  
JPT 4P SLD PLUG ASS'Y



## Documents

### Product Drawings

[187 CAP HSG ASSY 2P BLACK](#)

English

### CAD Files

Customer View Model

[ENG\\_CVM\\_CVM\\_176143-2\\_C.2d\\_dxf.zip](#)

English

[3D PDF](#)

3D

Customer View Model

[ENG\\_CVM\\_CVM\\_176143-2\\_C.3d\\_igs.zip](#)

English

Customer View Model

[ENG\\_CVM\\_CVM\\_176143-2\\_C.3d\\_stp.zip](#)

English

By downloading the CAD file I accept and agree to the [Terms and Conditions](#) of use.

### Datasheets & Catalog Pages

[Econoseal Connector Series](#)

English

### Product Specifications

[Product Specification](#)

English

[.187 SERIES, SEALED CONNECTOR](#)

English

[.187 SERIES, SEALED CONNECTOR](#)

Japanese

[Product Specification](#)

Japanese