



AMP

TE Internal #: 1752868-1

Hand Crimping Tools, Premium Crimp Tooling, Removable /Interchangeable, Hydraulic (10,000 psi), Head Assembly

[View on TE.com >](#)

Application Tooling > Hand Crimping Tools



Tool Grade: **Premium Crimp Tooling**

Die Sets Type: **Removable/Interchangeable**

Power Technology Type: **Hydraulic (10,000 psi)**

Tooling Type: **Head Assembly**

Features

Other

Tool Grade	Premium Crimp Tooling
Die Sets Type	Removable/Interchangeable
Power Technology Type	Hydraulic (10,000 psi)
Tooling Type	Head Assembly

Product Compliance

[For compliance documentation, visit the product page on TE.com>](#)

EU RoHS Directive 2011/65/EU	Out of Scope
EU ELV Directive 2000/53/EC	Out of Scope
China RoHS 2 Directive MIIT Order No 32, 2016	Not reviewed for China RoHS compliance
EU REACH Regulation (EC) No. 1907/2006	Current ECHA Candidate List: JUNE 2023 (235) Candidate List Declared Against: JUL 2021 (219) Does not contain REACH SVHC
Halogen Content	Not Yet Reviewed for halogen content
Solder Process Capability	Not applicable for solder process capability

Product Compliance Disclaimer

This information is provided based on reasonable inquiry of our suppliers and represents our current actual knowledge based on the information they provided. This information is subject to change. The part numbers that TE has identified as EU RoHS compliant have a maximum concentration of 0.1% by weight in homogenous materials for lead, hexavalent chromium, mercury, PBB, PBDE, DBP, BBP, DEHP, DIBP, and 0.01% for cadmium, or qualify for an exemption to these

limits as defined in the Annexes of Directive 2011/65/EU (RoHS2). Finished electrical and electronic equipment products will be CE marked as required by Directive 2011/65/EU. Components may not be CE marked. Additionally, the part numbers that TE has identified as EU ELV compliant have a maximum concentration of 0.1% by weight in homogenous materials for lead, hexavalent chromium, and mercury, and 0.01% for cadmium, or qualify for an exemption to these limits as defined in the Annexes of Directive 2000/53/EC (ELV). Regarding the REACH Regulation, the information TE provides on SVHC in articles for this part number is based on the latest European Chemicals Agency (ECHA) 'Guidance on requirements for substances in articles' posted at this URL: <https://echa.europa.eu/guidance-documents/guidance-on-reach>

Compatible Parts



TE Part # 46751-2
HYP8 AMPOWER 250MCM DIE SET



TE Part # 46750-2
HYP8 AMPOWER 4/0AWG DIE SET



TE Part # 45445
HYP8/10 SOLIS 4/0AWG DIE SET



TE Part # 46752-2
HYP8 AMPOWER 300MCM DIE SET



TE Part # 45442
HYP8/10 SOLIS 3/0AWG DIE SET



TE Part # 45436
HYP8/10 SOLIS 1/0AWG DIE SET



TE Part # 69217
HYP8/10 SOLIS 6AWG DIE SET



TE Part # 69216
HYP8/10 SOLIS 8AWG DIE SET



TE Part # 69218
HYP8/10 SOLIS 4AWG DIE SET



TE Part # 45433
HYP8/10 SOLIS 2AWG DIE SET



TE Part # 45439
HYP8/10 SOLIS 2/0AWG DIE SET



TE Part # 46765-3
HYP8 AMPOWER 2AWG DIE SET



TE Part # 46766-2
HYP8 AMPOWER 1/0AWG DIE SET



TE Part # 46767-2
HYP8 AMPOWER 2/0AWG DIE SET



TE Part # 68048
HYP8/10 COPALUM BAR 2/0AWG DIE SET



TE Part # 1804700-1
HYP10 110V HEAVY DUTY ELECTRIC PUMP




TE Part # 1804700-2
HYP10 220V HEAVY DUTY ELECTRIC PUMP



TE Part # 46749-2
HYP8 AMPPOWER 3/0AWG DIE SET



TE Part # 46753-2
HYP8 AMPPOWER 350MCM DIE SET



TE Part # 59867-1
HYP10 AMPPOWER 3/0AWG DIE SET

Customers Also Bought



TE Part # 325805
TERMINAL, AMPPOWER 300MCM 1/2



TE Part # 32837
PIDG R 22-16 COMM 22-18 MIL 10



TE Part # 1393143-7
27E123=SOCKET, KRP, 11, SCW, PLE




TE Part # 6-1393104-5
KRPA-14AG-120=KRPA




TE Part # NB14062001
TAT-125-3/4-0-STK



TE Part # NB15774001
RNF-150-3/32-0-SP



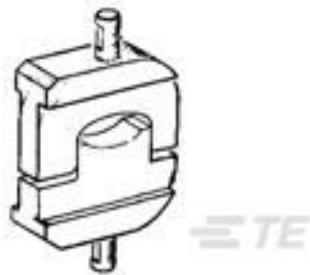
TE Part # 46750-2
HYP8 AMPPOWER 4/0AWG DIE SET



TE Part # 46752-2
HYP8 AMPPOWER 300MCM DIE SET



TE Part # 1423162-7
7022AD=RLY, STD, OFF, 2P, 120VAC, 5



TE Part # 46753-2
HYP8 AMPPOWER 350MCM DIE SET

Documents

Datasheets & Catalog Pages

[AT-Hydraulic Crimp Tooling Solutions-1654519](#)

English

Instruction Sheets

[Hydraulic Crimping Systems](#)

English

[Hydraulic Crimping Systems](#)

French

1752868-1

Hand Crimping Tools, Premium Crimp Tooling, Removable/Interchangeable,
Hydraulic (10,000 psi), Head Assembly

