

175095-1 ✓ ACTIVE

AMP | Multilock Connector System

TE Internal #: 175095-1

Automotive Terminals, Receptacle, Mating Tab Width 1.8 mm [.071 in], Tab Thickness .64 mm [.025 in], 20 – 16 AWG Wire Size, Multilock Connector System

[View on TE.com >](#)



Terminals & Splices > Automotive Terminals > MULTILOCK, RECEPTACLE AND TAB



Terminal Type: **Receptacle**

Mating Tab Width: **1.8 mm [.071 in]**

Mating Tab Thickness: **.64 mm [.025 in]**

Terminal Transmits: **0 – 24 A (Low Power)**

Wire Size: **20 – 16 AWG**

[All MULTILOCK, RECEPTACLE AND TAB \(136\)](#)

## Features

### Product Type Features

Receptacle Style	180°
Sealable	No
Primary Locking Feature	Clean Body

### Contact Features

Contact Size	1.8mm
Contact Fabrication	Stamped & Formed
Wire Contact Termination Area Plating Material	Tin
Typical Current Rating	14 A
Crimp Type	F-Crimp
Terminal Type	Receptacle
Mating Tab Width	1.8 mm[.071 in]
Mating Tab Thickness	.64 mm[.025 in]
Interface Plating	Tin (Sn)

### Termination Features

Termination Method to Wire & Cable	Crimp
Product Terminates To	Wire



### Dimensions

Compatible Insulation Diameter Range	1.2 – 1.9 mm [.047 – .074 in]
Wire Size	.5 – 1.25 mm <sup>2</sup>
Wire Size Search	16 AWG, 17 AWG, 18 AWG, 19 AWG, 20 AWG

### Usage Conditions

Insulation Option	Uninsulated
Operating Temperature (Max)	80 °C, 85 °C, 90 °C, 100 °C, 105 °C [176 °F] [185 °F][194 °F][212 °F][221 °F]
Operating Temperature Range	-30 – 105 °C [-22 – 221 °F]

### Packaging Features

Packaging Quantity	4000
Packaging Method	Reel

### Other

Terminal Transmits	0 – 24 A (Low Power)
--------------------	----------------------

### Product Compliance

[For compliance documentation, visit the product page on TE.com>](#)

EU RoHS Directive 2011/65/EU	Compliant
EU ELV Directive 2000/53/EC	Compliant
China RoHS 2 Directive MIIT Order No 32, 2016	No Restricted Materials Above Threshold
EU REACH Regulation (EC) No. 1907/2006	Current ECHA Candidate List: JUNE 2023 (235) Candidate List Declared Against: JUNE 2023 (235) Does not contain REACH SVHC
Halogen Content	Low Halogen - Br, Cl, F, I < 900 ppm per homogenous material. Also BFR/CFR/PVC Free
Solder Process Capability	Not applicable for solder process capability

#### Product Compliance Disclaimer

This information is provided based on reasonable inquiry of our suppliers and represents our current actual knowledge based on the information they provided. This information is subject to change. The part numbers that TE has identified as EU RoHS compliant have a maximum concentration of 0.1% by weight in homogenous materials for lead, hexavalent chromium, mercury, PBB, PBDE, DBP, BBP, DEHP, DIBP, and 0.01% for cadmium, or qualify for an exemption to these limits as defined in the Annexes of Directive 2011/65/EU (RoHS2). Finished electrical and electronic equipment products will be CE marked as required by Directive 2011/65/EU. Components may not be CE marked. Additionally, the part numbers that TE has identified as EU ELV compliant have a maximum concentration of 0.1% by weight in homogenous materials for lead, hexavalent chromium, and mercury, and 0.01% for cadmium, or qualify for an exemption to these limits

as defined in the Annexes of Directive 2000/53/EC (ELV). Regarding the REACH Regulation, the information TE provides on SVHC in articles for this part number is based on the latest European Chemicals Agency (ECHA) 'Guidance on requirements for substances in articles' posted at this URL: <https://echa.europa.eu/guidance-documents/guidance-on-reach>

## Compatible Parts



TE Part # CAT-M9194-CH8172  
MULTILOCK, CONNECTOR HOUSING



TE Part # 2-2151335-1  
OC-PA-S-FM-090F102O-102F STABL-001-0024



TE Part # 2-2151335-2  
OC-PA-S-FA-090F102O-102F STABL-001-0024



TE Part # 2151335-1  
OC-AT-S-FM-090F102O-102F STABL-001-0024

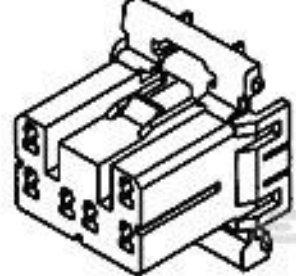


TE Part # 2151335-2  
OC-AT-S-FA-090F102O-102F STABL-001-0024

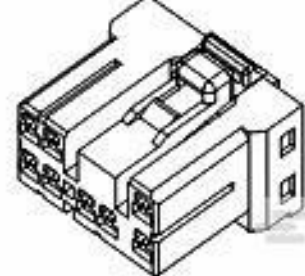


**KIT**  
REPRESENTATION ONLY

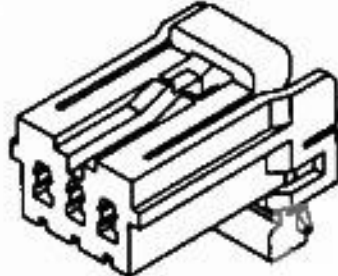
TE Part # 7-2151335-7  
OC-090F102O-102F-CRIMPTOOLINGKIT



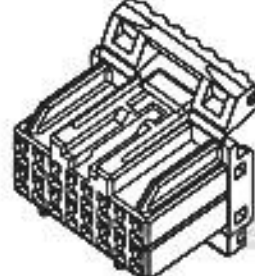
TE Part # 173852-5  
070 MULTILOCK PLUG 14P BLUE



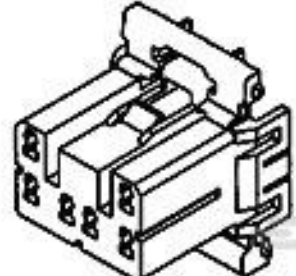
TE Part # 176118-8  
070 MLC II PLUG ASSY 18P ORANG



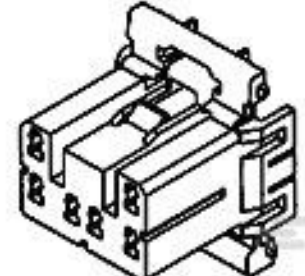
TE Part # 174923-5  
070 MLC W-W PLUG HSG 6P BLUE



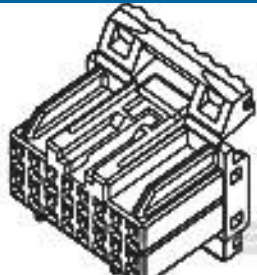
TE Part # 175567-6  
HYBRID I/O PLUG HSG 26P GRAY



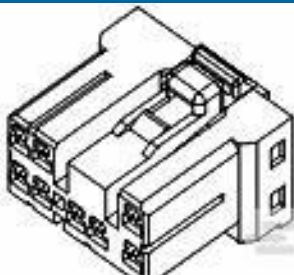
TE Part # 173850-4  
070 MLC PLUG HSG 8P GREEN



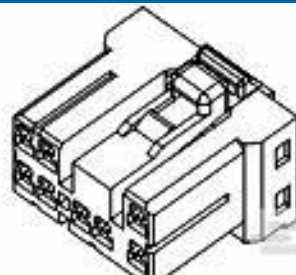
TE Part # 173853-7  
070 MLC PLUG HSG 18P YELLOW



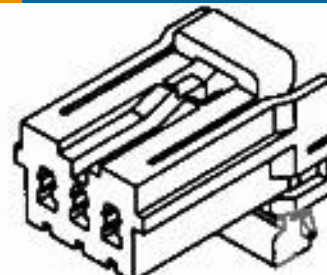
TE Part # 174515-5  
040/070 HYBRID PLUG 22P BLUE



TE Part # 176116-5  
070 MLC PLUG HSG ASSY 12P BLUE



TE Part # 176119-8  
070 MLC PLUG 20P DBL PLT ASSY



TE Part # 6-174922-6  
070 MLC W-W PLUG HSG 4P GRAY

## Also in the Series | Multilock Connector System



Automotive Connector Caps & Covers (17)



Automotive Connector EMC Shielding (1)



Automotive Connector Locks & Position Assurance(2)



Automotive Housings(603)



Automotive Terminals(141)



Connector Seals & Cavity Plugs(2)



Insertion & Extraction Tools(6)



Other Automotive Connector Accessories(14)

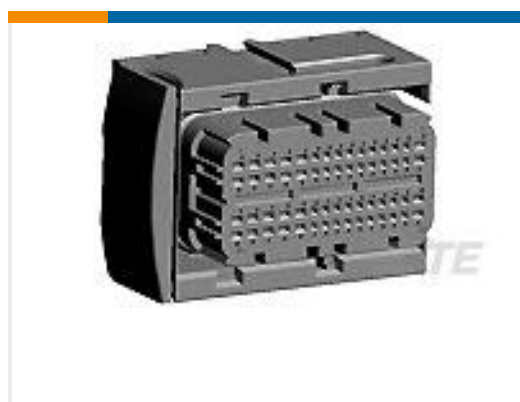


PCB Headers & Receptacles(142)

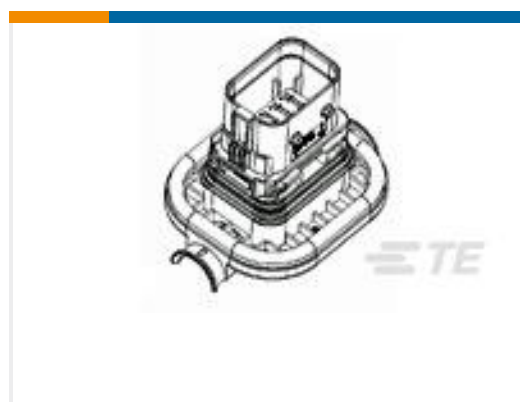
## Customers Also Bought



TE Part #969191-2  
Timer Connector Housing



TE Part #2-1355123-3  
CARRIER HSG 60POS,ASSY



TE Part #1-1823448-2  
18POS,LEAVYSEAL,TAB HSG ASSY,SLD



TE Part #CP4937-000  
ES2000-NO.4-B7-0-STK-SH



TE Part #K1163730  
Emergency switch ES-2003-T412-020C



TE Part #5-154509-4  
250 FASTON HSG. REC 1P BLACK



TE Part #D02886-000  
B-155-9005



TE Part #493577-1  
ASSY 10 WAY JPT REC

## Documents



## Product Drawings

### 070 SERIES REC CONTACT 20-16

English

---

## CAD Files

### 3D PDF

English

### Customer View Model

[ENG\\_CVM\\_175095-1\\_O.2d\\_dxf.zip](#)

English

### Customer View Model

[ENG\\_CVM\\_175095-1\\_O.3d\\_igs.zip](#)

English

### Customer View Model

[ENG\\_CVM\\_175095-1\\_O.3d\\_stp.zip](#)

English

By downloading the CAD file I accept and agree to the [Terms and Conditions](#) of use.

---

## Datasheets & Catalog Pages

### MULTILOCK Connector System

English

---

## Product Specifications

### Application Specification

English

### Crimping of .070 Series, Rec. Contact for CAVUS Wires

English

---

## Instruction Sheets

### Instruction Sheet (non U.S.)

English

### AMP Extraction Tool P/N 755430-2 for Extraction 070 Series Cont.

English