

175091-1 ✓ ACTIVE

AMP | Econoseal

TE Internal #: 175091-1

Automotive Terminals, Receptacle, Mating Tab Width 4.8 mm [.189 in], Tab Thickness .8 mm [.031 in], 14 – 12 AWG Wire Size, Econoseal

[View on TE.com >](#)



Terminals & Splices > Automotive Terminals > Econoseal Receptacles and Tabs



Terminal Type: **Receptacle**

Mating Tab Width: **4.8 mm [.189 in]**

Mating Tab Thickness: **.8 mm [.031 in]**

Terminal Transmits: **0 – 24 A (Low Power)**

Wire Size: **14 – 12 AWG**

[All Econoseal Receptacles and Tabs \(45\)](#)

Features

Product Type Features

Sealable	Yes
Primary Locking Feature	Clean Body

Body Features

Terminal Seal Type	Single Wire Seal (SWS)
--------------------	------------------------

Contact Features

Contact Size	4.8mm
Contact Fabrication	Stamped & Formed
Crimp Type	F-Crimp
Terminal Type	Receptacle
Mating Tab Width	4.8 mm [.189 in]
Mating Tab Thickness	.8 mm [.031 in]
Interface Plating	Tin (Sn)

Termination Features

Termination Method to Wire & Cable	Crimp
Product Terminates To	Wire

Dimensions

Compatible Insulation Diameter Range	2.9 – 3.8 mm [.114 – .149 in]
--------------------------------------	-------------------------------



Wire Size	2 – 3 mm ²
-----------	-----------------------

Wire Size Search	12 AWG, 13 AWG, 14 AWG
------------------	------------------------

Usage Conditions

Insulation Option	Uninsulated
-------------------	-------------

Operating Temperature (Max)	80 °C, 85 °C, 90 °C, 100 °C, 105 °C [176 °F] [185 °F][194 °F][212 °F][221 °F]
-----------------------------	--

Operating Temperature Range	-30 – 105 °C [-22 – 221 °F]
-----------------------------	-----------------------------

Operation/Application

Compatible With Wire Base Material	Copper
------------------------------------	--------

Packaging Features

Packaging Quantity	2000
--------------------	------

Packaging Method	Reel
------------------	------

Other

Terminal Transmits	0 – 24 A (Low Power)
--------------------	----------------------

Product Compliance

[For compliance documentation, visit the product page on TE.com>](#)

EU RoHS Directive 2011/65/EU	Compliant
------------------------------	-----------

EU ELV Directive 2000/53/EC	Compliant
-----------------------------	-----------

China RoHS 2 Directive MIIT Order No 32, 2016	No Restricted Materials Above Threshold
---	---

EU REACH Regulation (EC) No. 1907/2006	Current ECHA Candidate List: JUNE 2023 (235) Candidate List Declared Against: JUNE 2023 (235) Does not contain REACH SVHC
--	---

Halogen Content	Low Halogen - Br, Cl, F, I < 900 ppm per homogenous material. Also BFR/CFR/PVC Free
-----------------	---

Solder Process Capability	Not applicable for solder process capability
---------------------------	--

Product Compliance Disclaimer

This information is provided based on reasonable inquiry of our suppliers and represents our current actual knowledge based on the information they provided. This information is subject to change. The part numbers that TE has identified as EU RoHS compliant have a maximum concentration of 0.1% by weight in homogenous materials for lead, hexavalent chromium, mercury, PBB, PBDE, DBP, BBP, DEHP, DIBP, and 0.01% for cadmium, or qualify for an exemption to these limits as defined in the Annexes of Directive 2011/65/EU (RoHS2). Finished electrical and electronic equipment products will be CE marked as required by Directive 2011/65/EU. Components may not be CE marked. Additionally, the part numbers that TE has identified as EU ELV compliant have a maximum concentration of 0.1% by weight in homogenous materials for lead, hexavalent chromium, and mercury, and 0.01% for cadmium, or qualify for an exemption to these limits as defined in the Annexes of Directive 2000/53/EC (ELV). Regarding the REACH Regulation, the information TE provides

on SVHC in articles for this part number is based on the latest European Chemicals Agency (ECHA) 'Guidance on requirements for substances in articles' posted at this URL: <https://echa.europa.eu/guidance-documents/guidance-on-reach>

Compatible Parts



TE Part # 2305570-1
Strip Terminal Cutter-Side Feed-No Crimp



TE Part # CAT-EC7491-CH8172
ECONOSEAL, CONNECTOR HOUSING



TE Part # 2-2266828-1
OCEAN-2.0-APPLICATOR-S-130F2300



TE Part # 2-2266828-2
OCEAN-2.0-APPLICATOR-S-130F2300



TE Part # 2266828-1
OCEAN-2.0-APPLICATOR-S-130F2300



TE Part # 2266828-2
OCEAN-2.0-APPLICATOR-S-130F2300



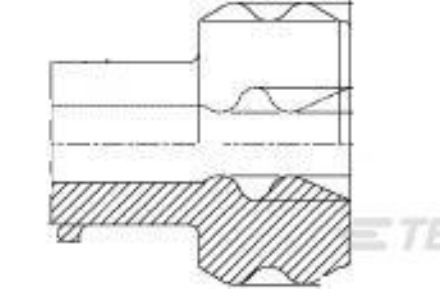
TE Part # 368482-2
ABS CONN PLUG 25P ASSY



TE Part # 368482-3
ABS CONN PLUG 25P ASSY



TE Part # 368940-1
WIRE SEAL FOR ABS 25P(3.3-3.8)



TE Part # 368941-1
WIRE SEAL FOR ABS 25P(2.4-3.2)



KIT
TE Part # 7-2266828-7
OCEAN_2.0_SPARE_PART_KIT-130F2300



TE Part # 368482-4
ABS CONN PLUG 25P ASSY

TE Part # 1717471-1
060/187 ABS 26POS PLUG ASSY

Also in the Series | Econoseal



Automotive Connector Caps & Covers (1)



Automotive Connector Locks & Position Assurance(25)



Automotive Housings(105)



Automotive Terminals(48)



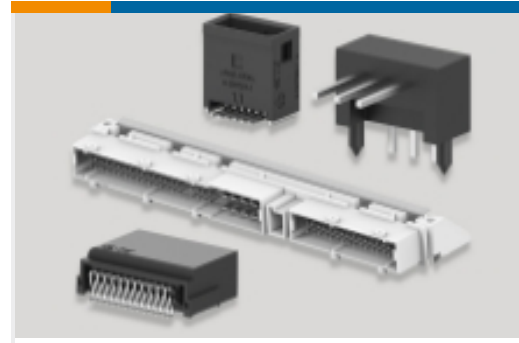
Connector Seals & Cavity Plugs(19)



Insertion & Extraction Tools(7)



Other Automotive Connector Accessories(5)



PCB Headers & Receptacles(4)



Primary Wire(1)

Customers Also Bought



TE Part #176143-2
187 CAP HSG ASSY 2P BLACK



TE Part #964314-1
TAB A 5.8x0.8 CONTACT CF SWS Sn



TE Part #1897214-1
MCP 6.3 2P PLUG ASSY



TE Part #1743757-2
SPT SEALED 3P CAP HSG



TE Part #1456985-4
1X6 Fem unsealed LP assy Key C w /CPA



TE Part #1544627-3
POWER RECPT CONT, 6.3 TO 9.5 MM, SOLDER



TE Part #368269-1
CLIP FOR 090 II MLC(KEY HOLE)



TE Part #2005281-3
MT3/JPT/SPT HYB 58P PLUG ASSY



Documents

Product Drawings

[.187 SEALD REC CONT L](#)

English

[.187 SEALD REC CONT L](#)

English

CAD Files

Customer View Model

[ENG_CVM_175091-1_O1.3d_igs.zip](#)

English

Customer View Model

[ENG_CVM_175091-1_O1.3d_stp.zip](#)

English

Customer View Model

[ENG_CVM_175091-1_O1.2d_dxf.zip](#)

English

[3D PDF](#)

English

By downloading the CAD file I accept and agree to the [Terms and Conditions](#) of use.

Datasheets & Catalog Pages

[Econoseal Connector Series](#)

English

Product Specifications

[Application Specification](#)

English

[Crimping of 187 Series, Waterproof Contact](#)

English

[Crimping of Sealed type .060 Receptacle Contact](#)

Japanese

[Application Specification](#)

Japanese

Instruction Sheets

[060/187 Plug Assy 26Pos. Slide-Type](#)



Japanese

[Instruction Sheet \(U.S.\)](#)

Japanese