

175057-1 ✓ ACTIVE

Positive Lock | Positive Lock 250

TE Internal #: 175057-1

Quick Disconnects, Receptacle, 18 – 12 AWG Wire Size, .82 – 3.31 mm<sup>2</sup> Wire Size, Mating Tab Width 6.35 mm [.25 in], Flag, Brass, Positive Lock 250

[View on TE.com >](#)



Terminals & Splices > Quick Disconnects



Quick Disconnect Terminal Type: **Receptacle**

Wire Size: **.82 – 3.31 mm<sup>2</sup>**

Mating Tab Width: **6.35 mm [.25 in]**

Mating Tab Thickness: **.81 mm [.032 in]**

## Features

### Product Type Features

Insertion Force	Low
-----------------	-----

### Configuration Features

Connection Capacity	Single
Compatible With Wire & Cable Type	Discrete Wire

### Electrical Characteristics

Voltage Rating	250 V
----------------	-------

### Contact Features

Quick Disconnect Terminal Type	Receptacle
Mating Tab Width	6.35 mm [.25 in]
Mating Tab Thickness	.81 mm [.032 in]
Terminal Orientation	Flag
Contact Base Material	Brass
Terminal Plating Material	Pre-Tin
Crimp Type	F-Crimp



Barrel Type	Open
-------------	------

### Termination Features

Product Terminates To	Wire & Cable
-----------------------	--------------

### Mechanical Attachment

Wire Insulation Support	With
-------------------------	------

### Dimensions

Terminal Material Thickness	.41 mm[.016 in]
Product Length	19.3 mm[.759 in]
Compatible Insulation Diameter Range	2.8 – 4.1 mm[.11 – .161 in]
Wire Size	.82 – 3.31 mm <sup>2</sup>

### Usage Conditions

Insulation Option	Uninsulated
Operating Temperature Range	-40 – 110 °C[-40 – 230 °F]

### Packaging Features

Packaging Quantity	3000
Packaging Method	Strip/Reel

## Product Compliance

[For compliance documentation, visit the product page on TE.com>](#)

EU RoHS Directive 2011/65/EU	Compliant
EU ELV Directive 2000/53/EC	Compliant
China RoHS 2 Directive MIIT Order No 32, 2016	No Restricted Materials Above Threshold
EU REACH Regulation (EC) No. 1907/2006	Current ECHA Candidate List: JUNE 2023 (235) Candidate List Declared Against: JUNE 2023 (235) Does not contain REACH SVHC
Halogen Content	Low Halogen - Br, Cl, F, I < 900 ppm per homogenous material. Also BFR/CFR/PVC Free
Solder Process Capability	Not applicable for solder process capability

#### Product Compliance Disclaimer

This information is provided based on reasonable inquiry of our suppliers and represents our current actual knowledge based on the information they provided. This information is subject to change. The part numbers that TE has identified as EU RoHS compliant have a maximum concentration of 0.1% by weight in homogenous materials for lead, hexavalent chromium, mercury, PBB, PBDE, DBP, BBP, DEHP, DIBP, and 0.01% for cadmium, or qualify for an exemption to these

limits as defined in the Annexes of Directive 2011/65/EU (RoHS2). Finished electrical and electronic equipment products will be CE marked as required by Directive 2011/65/EU. Components may not be CE marked. Additionally, the part numbers that TE has identified as EU ELV compliant have a maximum concentration of 0.1% by weight in homogenous materials for lead, hexavalent chromium, and mercury, and 0.01% for cadmium, or qualify for an exemption to these limits as defined in the Annexes of Directive 2000/53/EC (ELV). Regarding the REACH Regulation, the information TE provides on SVHC in articles for this part number is based on the latest European Chemicals Agency (ECHA) 'Guidance on requirements for substances in articles' posted at this URL: <https://echa.europa.eu/guidance-documents/guidance-on-reach>

## Compatible Parts



TE Part # 1-176497-1  
250 HSG. PL EX FLAG REC. NAT



TE Part # 176497-1  
POSITIVE LOCK .250 Hsg (6.3 MM) V2



TE Part # 2232342-1  
187 PL EX FLAG REC. 22-16AWG PTBR



TE Part # 2232343-1  
250 PL EX FLAG REC. 18-12AWG PTBR



TE Part # 1717268-2  
PL EX 250 INSULATED FLAG REC PVC V-0



TE Part # 1-176497-9  
PL EX SLEEVE 250 FLAG BLACK 6/6 NYLON



TE Part # 1-176497-7  
PL EX SLEEVE 250 FLAG RED 6/6 NYLON



TE Part # 1717268-1  
PL EX 250 INSULATED FLAG REC PVC V-0



TE Part # 1-176497-6  
PL EX 250 REC HSG 1P NYLON BLUE



TE Part # 1743221-1  
250 PL EX FLAG REC. 18-12AWG PTBR



TE Part # 1743643-1  
Pos Lock 250 Rec Flag Hsg 2P Nat



TE Part # 1743643-6  
Pos Lock 250 Rec Flag Hsg 2P Blu



TE Part # 1743643-9  
Pos Lock 250 Rec Flag Hsg 2P Blk



TE Part # 2232343-2  
250 PL EX FLAG REC. 18-12AWG PTBR FLAT



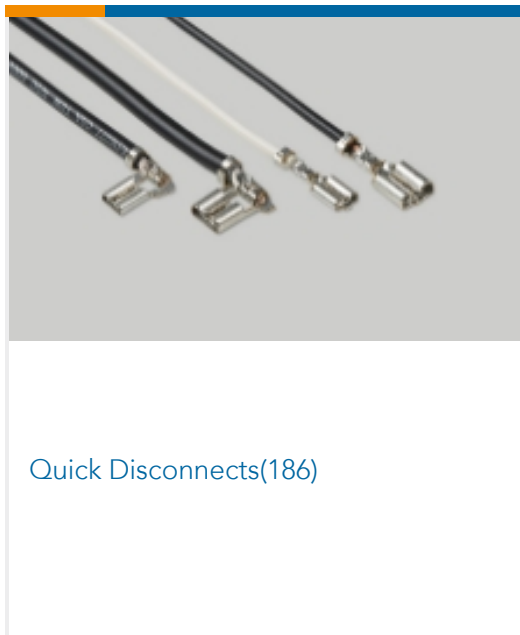
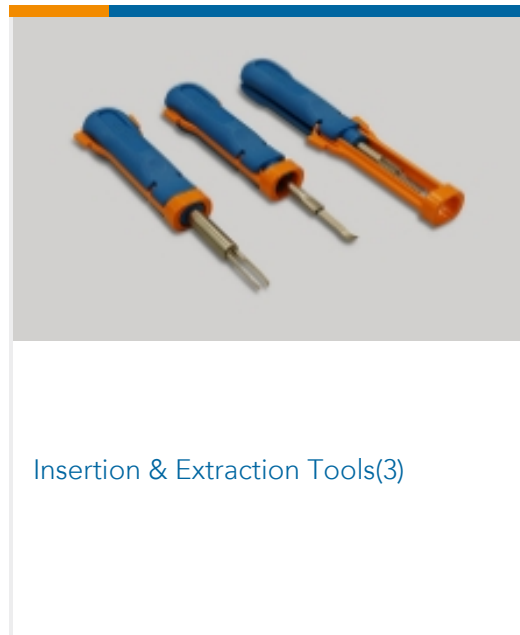
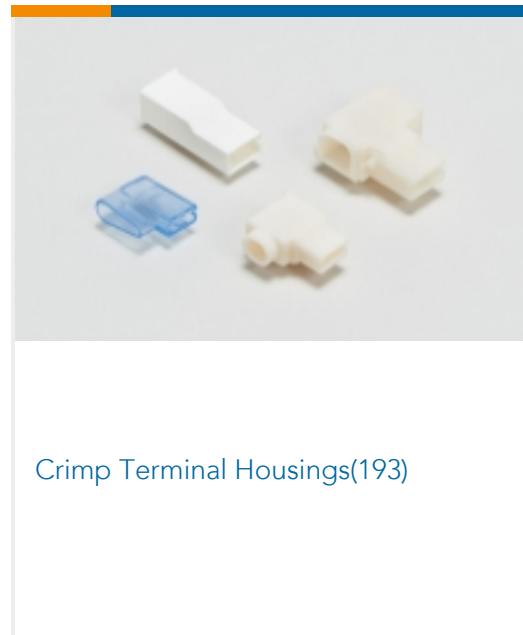
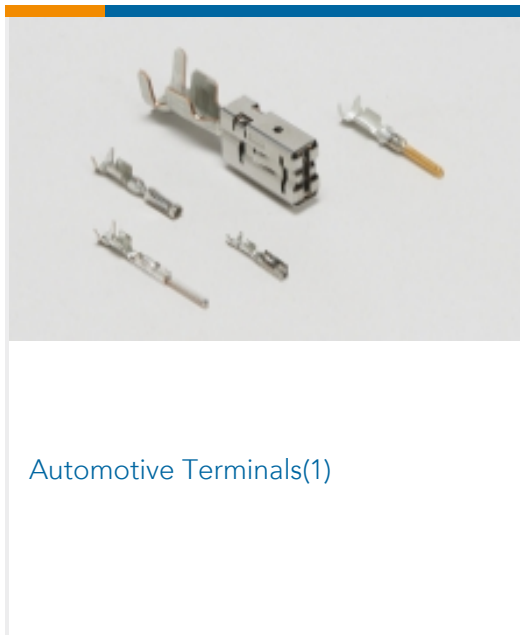
TE Part # 2376579-2  
250 FASTON PCB TAB TPBR



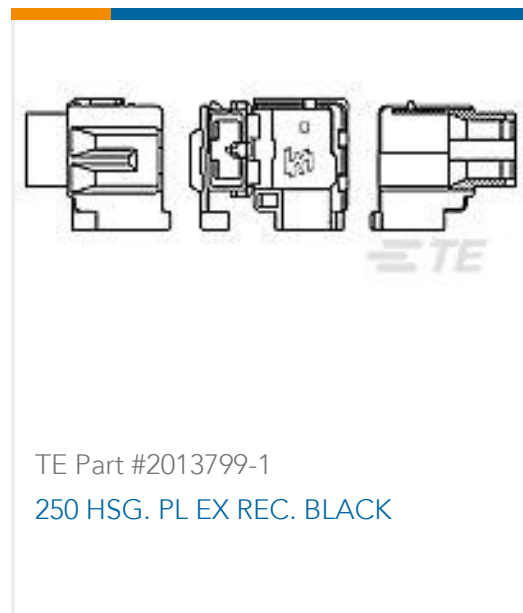
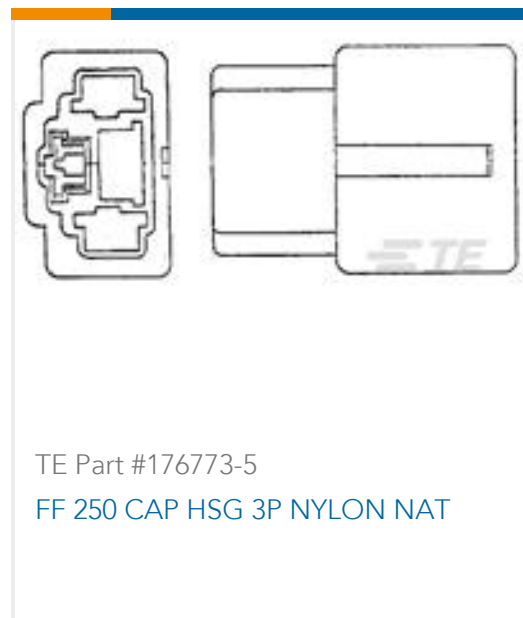
TE Part # 2376582-2  
250 FASTON PCB TAB TPBR



## Also in the Series | Positive Lock 250



## Customers Also Bought





## Documents

### Product Drawings

[250 PL EX FLAG REC. 18-12AWG PTBR](#)

English

---

### CAD Files

[3D PDF](#)

3D

Customer View Model

[ENG\\_CVM\\_CVM\\_175057-1\\_L1.2d\\_dxf.zip](#)

English

Customer View Model

[ENG\\_CVM\\_CVM\\_175057-1\\_L1.3d\\_igs.zip](#)

English

Customer View Model

[ENG\\_CVM\\_CVM\\_175057-1\\_L1.3d\\_stp.zip](#)

English

By downloading the CAD file I accept and agree to the [Terms and Conditions](#) of use.

---

### Product Specifications

[Application Specification](#)

English

---

### Product Environmental Compliance

[Product Compliance Document](#)

English

[Product Compliance Document](#)

English

---

### Instruction Sheets

[Instruction Sheet \(non U.S.\)](#)

English

[POSITIVE LOCK EX CONTACT](#)

English

---

### Agency Approvals

[Agency Approval Document](#)

English