

174985-7 ✓ ACTIVE

AMP | Econoseal J - Mark II

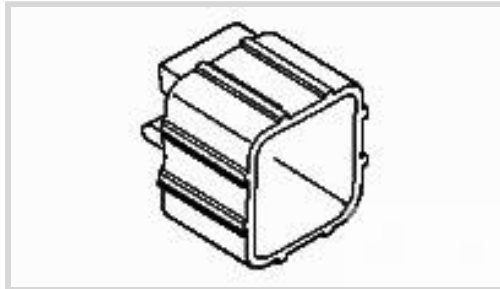
TE Internal #: 174985-7

Automotive Connector Locks & Position Assurance, Double Lock Plate, Yellow, PBT, 8 Position, -30 – 105 °C [-22 – 221 °F], Econoseal J - Mark II

[View on TE.com >](#)



Connectors > Automotive Connectors > Automotive Connector Accessories > Automotive Connector Locks & Position Assurance



Connector & Contact Retention Accessory Type: **Double Lock Plate**

Primary Product Color: **Yellow**

Primary Product Material: **PBT**

Number of Positions: **8**

Operating Temperature Range: **-30 – 105 °C [-22 – 221 °F]**

Features

Product Type Features

Connector & Contact Retention Accessory Type	Double Lock Plate
--	-------------------

Configuration Features

Number of Positions	8
---------------------	---

Body Features

Primary Product Color	Yellow
-----------------------	--------

Primary Product Material	PBT
--------------------------	-----

Usage Conditions

Operating Temperature Range	-30 – 105 °C[-22 – 221 °F]
-----------------------------	----------------------------

Product Compliance

[For compliance documentation, visit the product page on TE.com>](#)

EU RoHS Directive 2011/65/EU	Compliant
------------------------------	-----------

EU ELV Directive 2000/53/EC	Compliant
-----------------------------	-----------

China RoHS 2 Directive MIIT Order No 32, 2016	No Restricted Materials Above Threshold
---	---

EU REACH Regulation (EC) No. 1907/2006	Current ECHA Candidate List: JUNE 2023 (235) Candidate List Declared Against: JUNE 2023 (235) Does not contain REACH SVHC
--	---



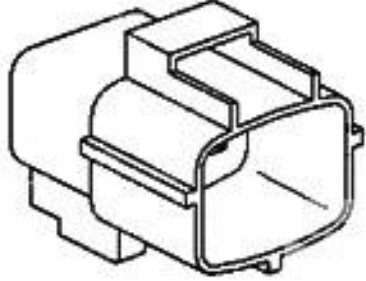
Halogen Content	Not Low Halogen - contains Br or Cl > 900 ppm.
-----------------	--

Solder Process Capability	Not applicable for solder process capability
---------------------------	--

Product Compliance Disclaimer

This information is provided based on reasonable inquiry of our suppliers and represents our current actual knowledge based on the information they provided. This information is subject to change. The part numbers that TE has identified as EU RoHS compliant have a maximum concentration of 0.1% by weight in homogenous materials for lead, hexavalent chromium, mercury, PBB, PBDE, DBP, BBP, DEHP, DIBP, and 0.01% for cadmium, or qualify for an exemption to these limits as defined in the Annexes of Directive 2011/65/EU (RoHS2). Finished electrical and electronic equipment products will be CE marked as required by Directive 2011/65/EU. Components may not be CE marked. Additionally, the part numbers that TE has identified as EU ELV compliant have a maximum concentration of 0.1% by weight in homogenous materials for lead, hexavalent chromium, and mercury, and 0.01% for cadmium, or qualify for an exemption to these limits as defined in the Annexes of Directive 2000/53/EC (ELV). Regarding the REACH Regulation, the information TE provides on SVHC in articles for this part number is based on the latest European Chemicals Agency (ECHA) 'Guidance on requirements for substances in articles' posted at this URL: <https://echa.europa.eu/guidance-documents/guidance-on-reach>

Compatible Parts



TE Part # 174984-2
8 POS. CAP MK II+



TE Part # 699978-1
8 POS CAV BLOCK ECONOSEAL


Also in the Series | Econoseal J - Mark II




Automotive Connector Caps & Covers (1)




Automotive Connector Locks & Position Assurance(29)



Automotive Housings(60)



Connector Seals & Cavity Plugs(10)



Other Automotive Connector Accessories(4)

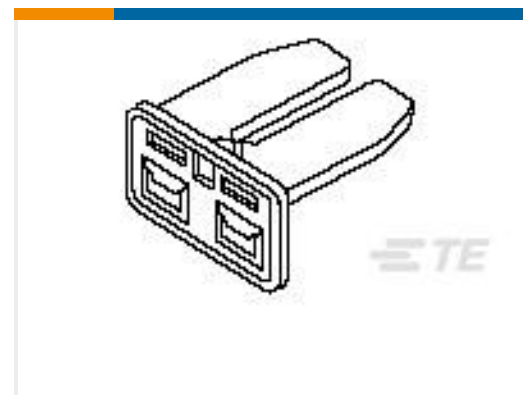


PCB Headers & Receptacles(1)

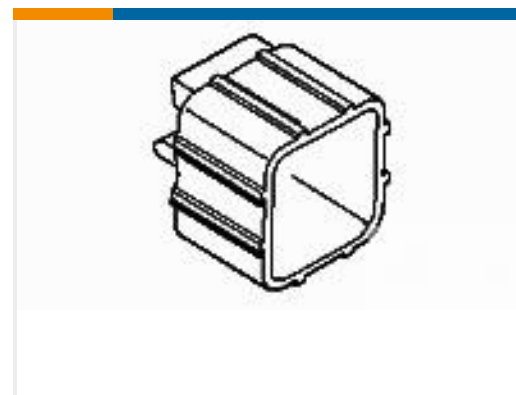
Customers Also Bought



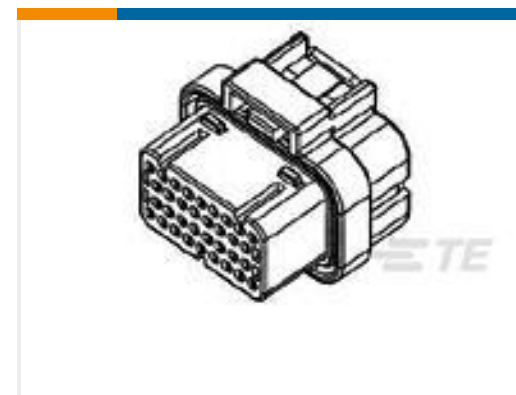
TE Part #174984-2
ECONOSEAL, CONNECTOR HOUSING



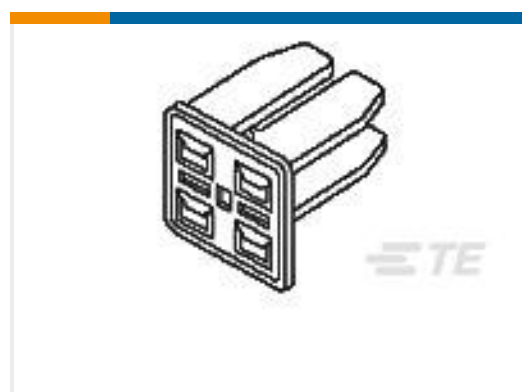
TE Part #174353-7
070 ECONOSEAL MARK-2 PLATE 2P



TE Part #174260-7
EOCNO-J MK-2 LOCK PLATE CAP 4P



TE Part #8-1447231-2
PLUG HOUSING 24P B KIT



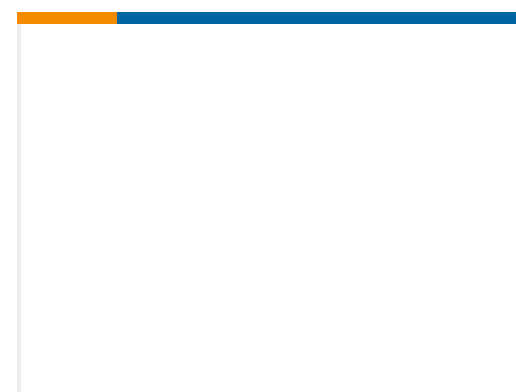
TE Part #174983-7
8 POS DL PLATE FOR PLUG MKII+



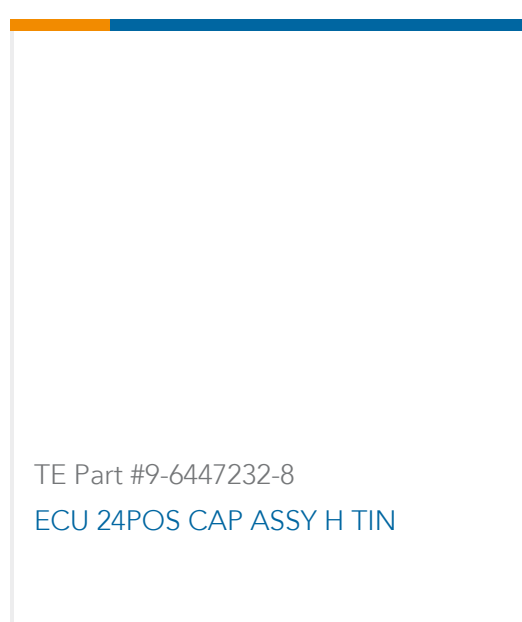
TE Part #7-1437292-4
939600=939600



TE Part #368036-1
CLIP FOR 070 & EJ MK-II(DAEWOO)



TE Part #2-1437290-4
102220-24=PLUG HOUSING ASSY; 2



TE Part #9-6447232-8
ECU 24POS CAP ASSY H TIN

Documents

Product Drawings

8 POS. DL PLATE FOR CAP MK II+

Japanese

CAD Files

3D PDF

English

Customer View Model

[ENG_CVM_174985-7_C.2d_dxf.zip](#)

English

Customer View Model

[ENG_CVM_174985-7_C.3d_igs.zip](#)

English

Customer View Model

[ENG_CVM_174985-7_C.3d_stp.zip](#)

English

By downloading the CAD file I accept and agree to the [Terms and Conditions](#) of use.



Product Specifications

Product Specification

English

Product Specification

Japanese

Instruction Sheets

ECONOSEAL J MARK II+ CONNECTOR (EJ-MK II+)

English

Customer Manual (non U.S.)

English

ECONOSEAL J MARK II+ CONNECTOR

English

Customer Manual (non U.S.)

English