

174779-1 ✓ ACTIVE

[Positive Lock](#) | [Positive Lock 110](#)

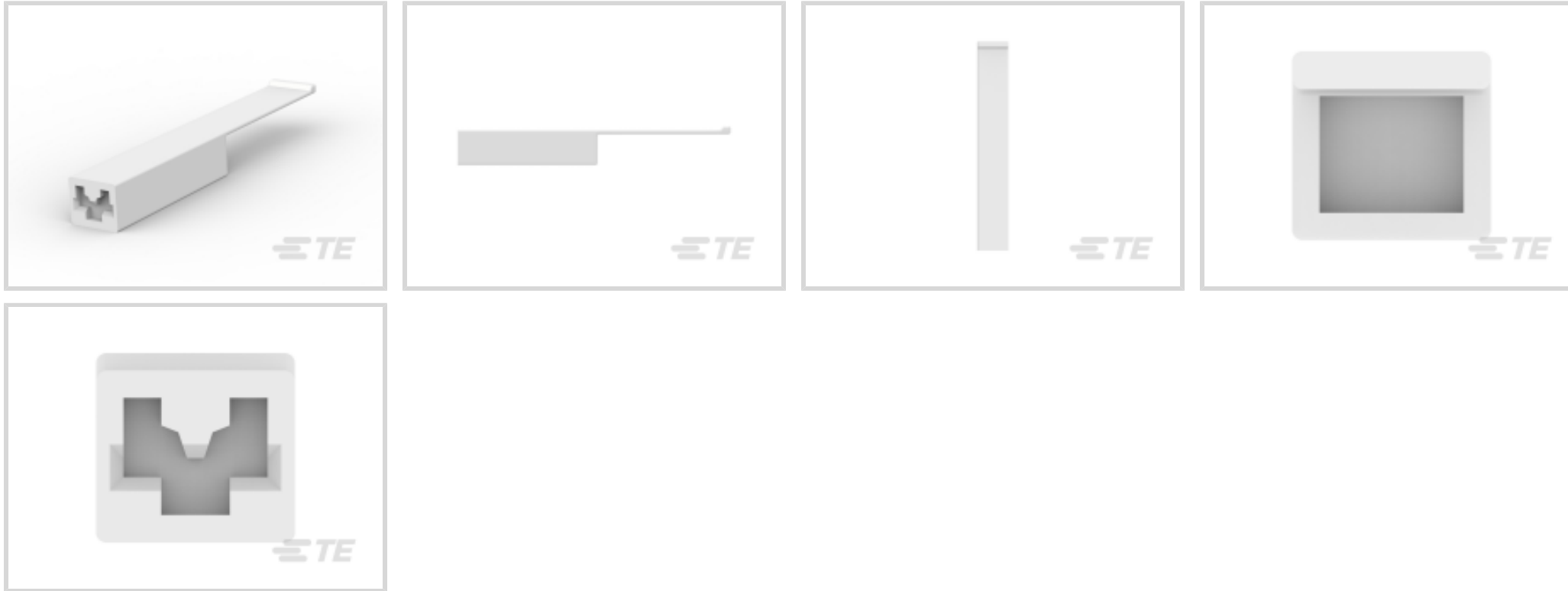
TE Internal #: 174779-1

Crimp Terminal Housings, Receptacle, Receptacle, 1 Position, Straight, UL 94V-2, Natural, Nylon, Contact Mating Retention, Positive Lock 110

[View on TE.com >](#)



Terminals & Splices > Terminal Housings, Insulation Sleeves & Blocks > Crimp Terminal Housings



Terminal Type: **Receptacle**

Connector & Housing Type: **Receptacle**

Number of Positions: **1**

Terminal Orientation: **Straight**

UL Flammability Rating: **UL 94V-2**

## Features

### Product Type Features

|                                   |                             |
|-----------------------------------|-----------------------------|
| Sealable                          | No                          |
| Connector System                  | Wire-to-Board, Wire-to-Wire |
| Connector & Contact Terminates To | Wire & Cable                |
| Connector & Housing Type          | Receptacle                  |

### Configuration Features

|                     |   |
|---------------------|---|
| Number of Positions | 1 |
|---------------------|---|

### Body Features

|                       |         |
|-----------------------|---------|
| Primary Product Color | Natural |
|-----------------------|---------|

### Contact Features

|                          |            |
|--------------------------|------------|
| Terminal Type            | Receptacle |
| Terminal Orientation     | Straight   |
| Contact Mating Retention | With       |

### Mechanical Attachment



|                         |                            |
|-------------------------|----------------------------|
| Mating Alignment Type   | Polarization               |
| Mating Alignment        | With                       |
| Connector Mounting Type | Cable Mount (Free-Hanging) |

### Housing Features

|                  |       |
|------------------|-------|
| Housing Material | Nylon |
|------------------|-------|

### Usage Conditions

|                             |                            |
|-----------------------------|----------------------------|
| Operating Temperature Range | -40 – 105 °C[-40 – 221 °F] |
|-----------------------------|----------------------------|

### Industry Standards

|                        |          |
|------------------------|----------|
| UL Flammability Rating | UL 94V-2 |
|------------------------|----------|

### Packaging Features

|                    |      |
|--------------------|------|
| Packaging Quantity | 1000 |
|--------------------|------|

## Product Compliance

[For compliance documentation, visit the product page on TE.com>](#)

|   |   |
|---|---|
| EU RoHS Directive 2011/65/EU                  | Compliant   |
| EU ELV Directive 2000/53/EC                   | Compliant   |
| China RoHS 2 Directive MIIT Order No 32, 2016 | No Restricted Materials Above Threshold   |
| EU REACH Regulation (EC) No. 1907/2006        | Current ECHA Candidate List: JUNE 2023 (235)<br>Candidate List Declared Against: JUNE 2023 (235)<br>Does not contain REACH SVHC |
| Halogen Content                               | Low Halogen - Br, Cl, F, I < 900 ppm per homogenous material. Also BFR/CFR/PVC Free   |
| Solder Process Capability                     | Not applicable for solder process capability  |

#### Product Compliance Disclaimer

This information is provided based on reasonable inquiry of our suppliers and represents our current actual knowledge based on the information they provided. This information is subject to change. The part numbers that TE has identified as EU RoHS compliant have a maximum concentration of 0.1% by weight in homogenous materials for lead, hexavalent chromium, mercury, PBB, PBDE, DBP, BBP, DEHP, DIBP, and 0.01% for cadmium, or qualify for an exemption to these limits as defined in the Annexes of Directive 2011/65/EU (RoHS2). Finished electrical and electronic equipment products will be CE marked as required by Directive 2011/65/EU. Components may not be CE marked. Additionally, the part numbers that TE has identified as EU ELV compliant have a maximum concentration of 0.1% by weight in homogenous materials for lead, hexavalent chromium, and mercury, and 0.01% for cadmium, or qualify for an exemption to these limits as defined in the Annexes of Directive 2000/53/EC (ELV). Regarding the REACH Regulation, the information TE provides on SVHC in articles for this part number is based on the latest European Chemicals Agency (ECHA) 'Guidance on requirements for substances in articles' posted at this URL: <https://echa.europa.eu/guidance-documents/guidance-on-reach>

## Compatible Parts



TE Part # 174777-1  
PL 110 REC 20-16 AWG 0.25 X 10.4  
PTBR



TE Part # 175411-1  
110 PL REC. 24-20AWG PTBR



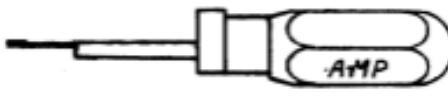
TE Part # 174778-1  
PL 110 REC TERMINAL 20-16 AWG  
PTPB



TE Part # 174778-2  
PL 110 REC 20-16 AWG 0.25 X 10.4  
PTPHBZ




TE Part # 175412-1  
PL 110 REC 24-20 AWG 0.25 X 10.4  
PTBR




TE Part # 724659-4  
EXT TOOL FOR 110 POSITIVE


## Also in the Series | Positive Lock 110



Crimp Terminal Housings(12)



Insertion & Extraction Tools(1)



Quick Disconnects(8)

## Customers Also Bought



TE Part #2-353080-2  
DYNAMIC D-5200 HDR V ASSY 2P



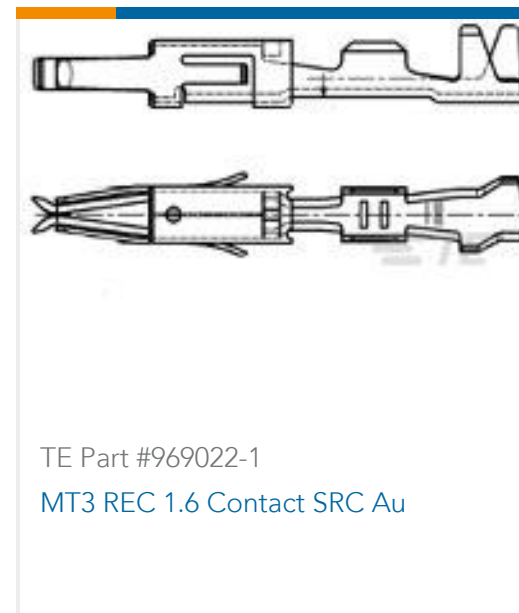
TE Part #2-1318119-3  
DYNAMIC D2100 REC HSG 6P DBL Y



TE Part #HDP24-18-20SN  
REC, 20P, BLK, N, 16/20, S



TE Part #178214-1  
DYNAMIC 3400 REC HSG 12P



## Documents

### Product Drawings

#### PL 110 HOUSING RECEPTACLE

English

### CAD Files

#### 3D PDF

3D

#### Customer View Model

[ENG\\_CVM\\_CVM\\_174779-1\\_D.2d\\_dxf.zip](#)

English

#### Customer View Model

[ENG\\_CVM\\_CVM\\_174779-1\\_D.3d\\_igs.zip](#)

English

#### Customer View Model

[ENG\\_CVM\\_CVM\\_174779-1\\_D.3d\\_stp.zip](#)

English

By downloading the CAD file I accept and agree to the [Terms and Conditions](#) of use.

### Datasheets & Catalog Pages

#### Positive Lock Receptacles

English

[POS\\_LOCK\\_MII\\_QRG](#)

English

### Product Specifications

#### Application Specification

English

#### Crimping 110 Series, Positive Lock Contact

English

### Product Environmental Compliance

#### Product Compliance

English

#### Product Compliance

English



**Instruction Sheets**

**Instruction Sheet (non U.S.)**

English

**no title**

English

---

**Agency Approvals**

**CSA Certificate**

English