



Connectors > PCB Connectors > Wire-to-Board Connectors > Wire-to-Board Connector Contacts



Contact Type: **Pin**

Connector System: **Wire-to-Board**

Contact Mating Area Plating Material: **Tin**

Packaging Method: **Bag & Box**

Connector & Contact Terminates To: **Printed Circuit Board**

Features

Product Type Features

Connector System	Wire-to-Board
Connector & Contact Terminates To	Printed Circuit Board

Contact Features

Contact Type	Pin
Contact Mating Area Plating Material	Tin
Contact Current Rating (Max)	25 A

Termination Features

Rectangular Termination Post & Tail Thickness	.81 mm[.031 in]
Rectangular Termination Post & Tail Width	1.27 mm[.05 in]

Mechanical Attachment

Connector Mounting Type	Board Mount
-------------------------	-------------

Usage Conditions

Operating Temperature Range	-40 – 125 °C[-40 – 257 °F]
-----------------------------	----------------------------

Operation/Application

--	--



Circuit Application	Power
---------------------	-------

Packaging Features

Packaging Method	Bag & Box
------------------	-----------

Product Compliance

[For compliance documentation, visit the product page on TE.com>](#)

EU RoHS Directive 2011/65/EU	Compliant
EU ELV Directive 2000/53/EC	Compliant
China RoHS 2 Directive MIIT Order No 32, 2016	No Restricted Materials Above Threshold
EU REACH Regulation (EC) No. 1907/2006	Current ECHA Candidate List: JUNE 2023 (235) Candidate List Declared Against: JUNE 2023 (235) Does not contain REACH SVHC
Halogen Content	Low Halogen - Br, Cl, F, I < 900 ppm per homogenous material. Also BFR/CFR/PVC Free
Solder Process Capability	Not applicable for solder process capability

Product Compliance Disclaimer

This information is provided based on reasonable inquiry of our suppliers and represents our current actual knowledge based on the information they provided. This information is subject to change. The part numbers that TE has identified as EU RoHS compliant have a maximum concentration of 0.1% by weight in homogenous materials for lead, hexavalent chromium, mercury, PBB, PBDE, DBP, BBP, DEHP, DIBP, and 0.01% for cadmium, or qualify for an exemption to these limits as defined in the Annexes of Directive 2011/65/EU (RoHS2). Finished electrical and electronic equipment products will be CE marked as required by Directive 2011/65/EU. Components may not be CE marked. Additionally, the part numbers that TE has identified as EU ELV compliant have a maximum concentration of 0.1% by weight in homogenous materials for lead, hexavalent chromium, and mercury, and 0.01% for cadmium, or qualify for an exemption to these limits as defined in the Annexes of Directive 2000/53/EC (ELV). Regarding the REACH Regulation, the information TE provides on SVHC in articles for this part number is based on the latest European Chemicals Agency (ECHA) 'Guidance on requirements for substances in articles' posted at this URL: <https://echa.europa.eu/guidance-documents/guidance-on-reach>

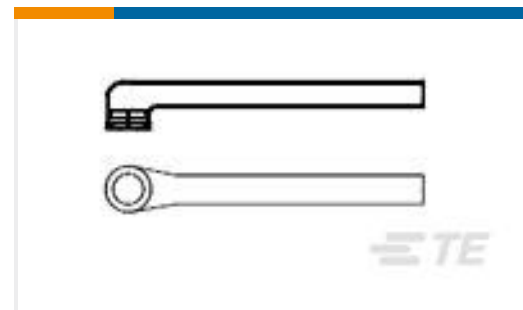
Compatible Parts



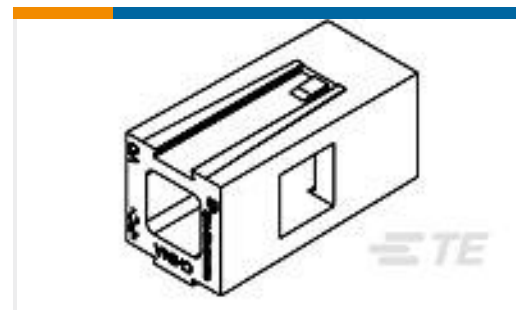
Customers Also Bought



TE Part #A87942-000
NC-381064-10-S1-9



TE Part #806878-000
222D232-25-0



TE Part #1445960-1
MTG WING,15/30/45A PWR PROD



TE Part #1445886-5
RET PIN,15/30/45A,SP,2 HIGH



TE Part #1744128-2
PCB CONTACT,CU/AG,R/A



TE Part #689161-000
D-112-1222-9



TE Part #YDIV40E13-98PNV001
RECP ASSY

Documents

Product Drawings

PCB CONTACT,CU/AG,STRAIGHT

English

CAD Files

3D PDF

3D

Customer View Model

[ENG_CVM_CVM_1744128-3_A_c-1744128-3-a.2d_dxf.zip](#)

English

Customer View Model

[ENG_CVM_CVM_1744128-3_A_c-1744128-3-a.3d_igs.zip](#)

English

Customer View Model

[ENG_CVM_CVM_1744128-3_A_c-1744128-3-a.3d_stp.zip](#)

English

By downloading the CAD file I accept and agree to the [Terms and Conditions](#) of use.

Product Specifications

Application Specification

English

Application Specification

English

Application Specification

English