



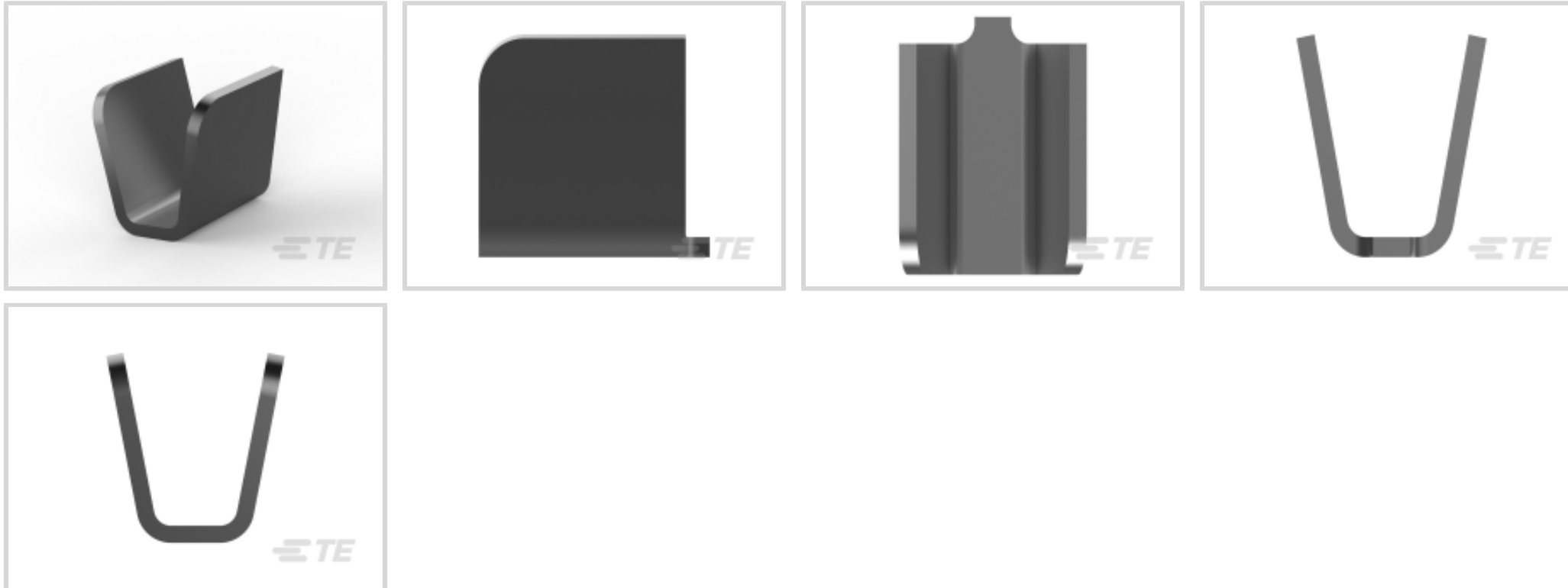
AMPLIVAR

TE Internal #: 1742898-1

Splices, Pigtail Splice, 9 – 6.5 AWG Wire Size, 4.8 – 9.45 mm² Wire Size, Splice Capacity 3, Serrated, 14000 – 22000 CMA Wire Size, Brass, AMPLIVAR

[View on TE.com >](#)

Terminals & Splices > Splices



Wire Size: 4.8 – 9.45 mm²

Sealable: No

Splice Capacity: 3

Splice Features: Serrated

Features

Product Type Features

Sealable	No
Splice Type	Pigtail Splice
Compatible With Discrete Wire Type	Magnet Wire, Solid

Configuration Features

Strip Orientation	End Feed
Splice Capacity	3
Number of Serrations	9

Electrical Characteristics

Operating Voltage	250 V
-------------------	-------

Body Features

Product Weight	.761 g
Splice Features	Serrated

Contact Features

Terminal Plating Material	Tin
---------------------------	-----



Contact Base Material	Brass
-----------------------	-------

Barrel Type	Open
-------------	------

Termination Features

Crimp Width	6.35 mm, 6.85 mm [.25 in] [.27 in]
-------------	------------------------------------

Termination Method to Wire & Cable	Crimp
------------------------------------	-------

Mechanical Attachment

Wire Insulation Support	Without
-------------------------	---------

Dimensions

Product Width	6.35 mm [.25 in]
---------------	------------------

Wire Size	14000 – 22000 CMA
-----------	-------------------

Compatible Insulation Diameter Range	3 – 3.47 mm [.118 – .137 in]
--------------------------------------	------------------------------

Terminal Material Thickness	.76 mm [.03 in]
-----------------------------	-----------------

Product Length	8.64 mm [.34 in]
----------------	------------------

Usage Conditions

Insulation Option	Uninsulated
-------------------	-------------

Operating Temperature Range	-65 – 150 °C [-85 – 302 °F]
-----------------------------	-----------------------------

Operation/Application

Compatible With Wire Base Material	Aluminum, Copper
------------------------------------	------------------

Industry Standards

Government Qualified Splice	No
-----------------------------	----

Packaging Features

Packaging Quantity	12000
--------------------	-------

Packaging Method	Strip
------------------	-------

Product Compliance

[For compliance documentation, visit the product page on TE.com>](#)

EU RoHS Directive 2011/65/EU	Compliant
------------------------------	-----------

EU ELV Directive 2000/53/EC	Compliant
-----------------------------	-----------

China RoHS 2 Directive MIIT Order No 32, 2016	No Restricted Materials Above Threshold
---	---

EU REACH Regulation (EC) No. 1907/2006	Current ECHA Candidate List: JUNE 2023 (235) Candidate List Declared Against: JUNE 2023 (235)
--	--



Does not contain REACH SVHC

Halogen Content

Low Halogen - Br, Cl, F, I < 900 ppm per homogenous material. Also BFR/CFR/PVC Free

Solder Process Capability

Not applicable for solder process capability

Product Compliance Disclaimer

This information is provided based on reasonable inquiry of our suppliers and represents our current actual knowledge based on the information they provided. This information is subject to change. The part numbers that TE has identified as EU RoHS compliant have a maximum concentration of 0.1% by weight in homogenous materials for lead, hexavalent chromium, mercury, PBB, PBDE, DBP, BBP, DEHP, DIBP, and 0.01% for cadmium, or qualify for an exemption to these limits as defined in the Annexes of Directive 2011/65/EU (RoHS2). Finished electrical and electronic equipment products will be CE marked as required by Directive 2011/65/EU. Components may not be CE marked. Additionally, the part numbers that TE has identified as EU ELV compliant have a maximum concentration of 0.1% by weight in homogenous materials for lead, hexavalent chromium, and mercury, and 0.01% for cadmium, or qualify for an exemption to these limits as defined in the Annexes of Directive 2000/53/EC (ELV). Regarding the REACH Regulation, the information TE provides on SVHC in articles for this part number is based on the latest European Chemicals Agency (ECHA) 'Guidance on requirements for substances in articles' posted at this URL: <https://echa.europa.eu/guidance-documents/guidance-on-reach>

Compatible Parts



TE Part # 63562-1
SPLICE 10400-22900 030TPBR



TE Part # 1742324-2
AMVAR STAKE SPLICE 020TPBR



TE Part # 737060-1
AMPLIVAR SPL 5 SERR W/INS SUP



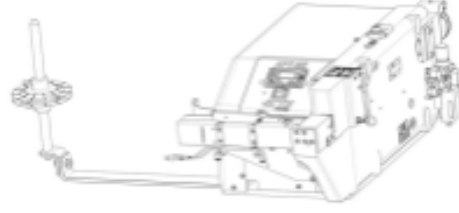
TE Part # 737060-2
AMPLIVAR SPL 5 SERR W/INS SUP



TE Part # 1-2217600-7
APT-5A HF



TE Part # 1-2217600-8
APT-5A HF



TE Part # 1-2217700-7
APT 5E HF



TE Part # 1-2217700-8
APT 5E HF



TE Part # 1742348-1
9 Serr AMPLIVAR Spade

Also in the Series | AMPLIVAR



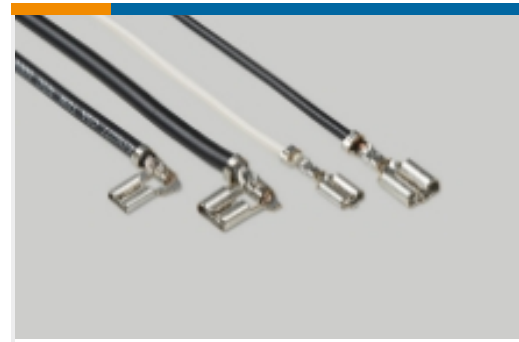
Crimp Wire Pins, Tabs & Ferrules(5)



Magnet Wire Terminals(4)



PCB Terminals(1)



Quick Disconnects(41)



Ring Terminals(28)



Splices(77)

Customers Also Bought



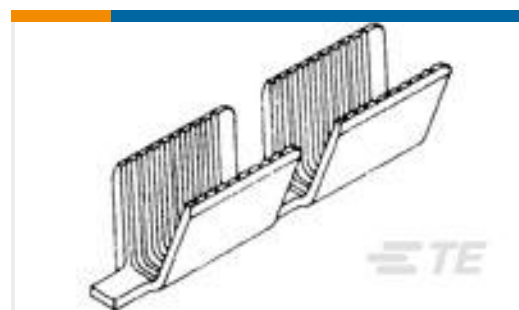
TE Part #213571-2
CPC PLUG KIT 20-14 W/O CBL CL



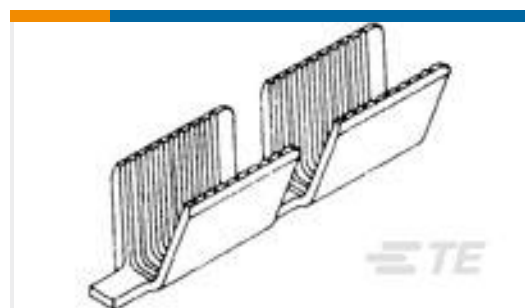
TE Part #2138852-1
MOUNTING CLIP, 5MM PANEL,
AMPSEAL 16 HL



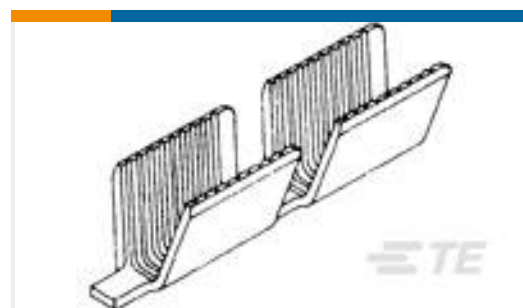
TE Part #63562-1
SPLICE 10400-22900 030TPBR



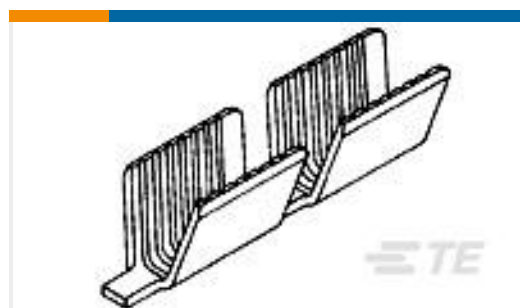
TE Part #62309-2
AMVAR SPLC 5000-10000 025TPBR



TE Part #62310-2
AMVAR SPLC 7000-13000 025TPBR



TE Part #62308-2
AMVAR SPLC 3000-7000 020TPBR



TE Part #62295-1
AMVAR SPLC 7000-12000 025TPBR



TE Part #2325098-4
MNTG CLIP,ENETSEAL PLUS



TE Part #2-1904131-6
V23134A3052X540-EV-CBOX



Documents

Product Drawings

[AMVAR SPLC 10M-22M 0295 TPBR](#)

English

CAD Files

[3D PDF](#)

3D

Customer View Model

[ENG_CVM_CVM_1742898-1_C_c-1742898-1-c.2d_dxf.zip](#)

English

Customer View Model

[ENG_CVM_CVM_1742898-1_C_c-1742898-1-c.3d_igs.zip](#)

English

Customer View Model

[ENG_CVM_CVM_1742898-1_C_c-1742898-1-c.3d_stp.zip](#)

English

By downloading the CAD file I accept and agree to the [Terms and Conditions](#) of use.

Product Specifications

[Application Specification](#)

English

Product Environmental Compliance

[MD_1742898-1_04162014128_dmtec](#)

English

[MD_1742898-1_04162014128_dmtec](#)

English