

1742881-1 ✓ ACTIVE



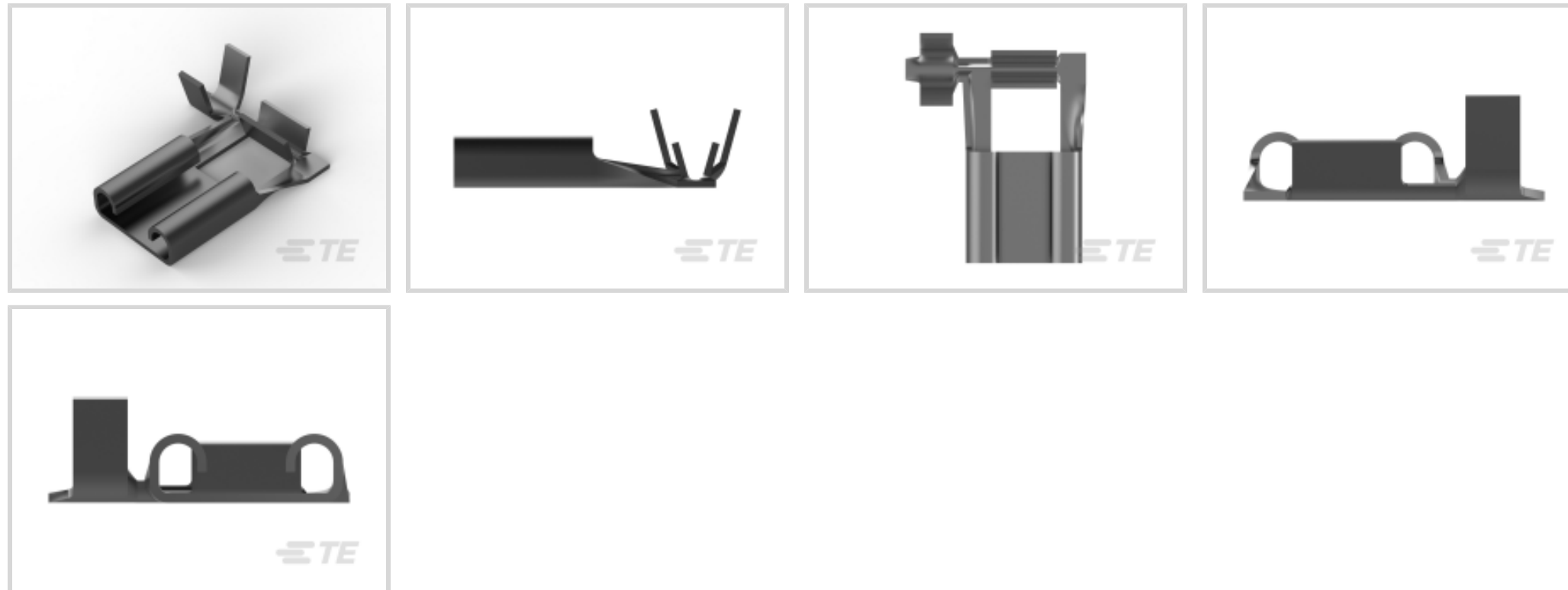
AMPLIVAR

TE Internal #: 1742881-1

Quick Disconnects, Receptacle, 20 – 17 AWG Wire Size, .51 – 1.03 mm² Wire Size, 500 – 1900 CMA Wire Size, Mating Tab Width 6.35 mm [.25 in], AMPLIVAR

[View on TE.com >](#)

Terminals & Splices > Quick Disconnects



Quick Disconnect Terminal Type: **Receptacle**

Wire Size: **500 – 1900 CMA**

Mating Tab Width: **6.35 mm [.25 in]**

Features

Product Type Features

Compatible With Discrete Wire Type	Magnet Wire
Insertion Force	High

Configuration Features

Connection Capacity	Single
---------------------	--------

Electrical Characteristics

Voltage Rating	240 V
----------------	-------

Contact Features

Quick Disconnect Terminal Type	Receptacle
Mating Tab Width	6.35 mm [.25 in]
Mating Tab Thickness	.81 mm [.032 in]
Terminal Orientation	Flag
Contact Base Material	Brass
Terminal Plating Material	Tin
Crimp Type	F-Crimp
Barrel Type	Open



Mechanical Attachment

Wire Insulation Support	With
Mating Retention Type	Dimple

Dimensions

Terminal Material Thickness	.41 mm[.016 in]
Product Length	13.46 mm[.53 in]
Compatible Insulation Diameter Range	2.54 – 3.05 mm[.1 – .12 in]
Wire Size	500 – 1900 CMA

Usage Conditions

Insulation Option	Uninsulated
Operating Temperature Range	-40 – 105 °C[-40 – 221 °F]

Packaging Features

Packaging Quantity	15000
Packaging Method	Reel

Product Compliance

[For compliance documentation, visit the product page on TE.com>](#)

EU RoHS Directive 2011/65/EU	Compliant
EU ELV Directive 2000/53/EC	Compliant
China RoHS 2 Directive MIIT Order No 32, 2016	No Restricted Materials Above Threshold
EU REACH Regulation (EC) No. 1907/2006	Current ECHA Candidate List: JUNE 2023 (235) Candidate List Declared Against: JUNE 2023 (235) Does not contain REACH SVHC
Halogen Content	Low Halogen - Br, Cl, F, I < 900 ppm per homogenous material. Also BFR/CFR/PVC Free
Solder Process Capability	Not applicable for solder process capability

Product Compliance Disclaimer

This information is provided based on reasonable inquiry of our suppliers and represents our current actual knowledge based on the information they provided. This information is subject to change. The part numbers that TE has identified as EU RoHS compliant have a maximum concentration of 0.1% by weight in homogenous materials for lead, hexavalent chromium, mercury, PBB, PBDE, DBP, BBP, DEHP, DIBP, and 0.01% for cadmium, or qualify for an exemption to these limits as defined in the Annexes of Directive 2011/65/EU (RoHS2). Finished electrical and electronic equipment products will be CE marked as required by Directive 2011/65/EU. Components may not be CE marked. Additionally, the part numbers that TE has identified as EU ELV compliant have a maximum concentration of 0.1% by weight in homogenous materials for lead, hexavalent chromium, and mercury, and 0.01% for cadmium, or qualify for an exemption to these limits

as defined in the Annexes of Directive 2000/53/EC (ELV). Regarding the REACH Regulation, the information TE provides on SVHC in articles for this part number is based on the latest European Chemicals Agency (ECHA) 'Guidance on requirements for substances in articles' posted at this URL: <https://echa.europa.eu/guidance-documents/guidance-on-reach>

Compatible Parts



TE Part # 1217955-1
.187 FAST FL AMVAR 0157 TPBR



TE Part # 63941-1
RCPT 187 FL/FAST AMVR 0157TPBR



TE Part # 63942-1
RCPT,187 FL/FAST/AMVR 0157TPBR



TE Part # 1742678-2
187 RCPT FAST AMVR 0157TPPB



TE Part # 969116-2
AMPLIVAR SOCKET 6,3 SPECIAL



TE Part # 1-969049-1
AMPLIVAR STATOR BUCHS



TE Part # 1217417-1
RCPT.187 FL/FAST AMVR .157TPB



TE Part # 1217624-1
.187 FAST FL AMVR 0157 TPBR



TE Part # 1599721-1
TAB REC, STATOR, AMPLIVAR



TE Part # 2-2150450-2
OCEAN_2.0_Applicator-E-070F140OVA



TE Part # 2-2150540-2
OC-PA-E-FA-150F220F-001-0054



TE Part # 2150450-1
OCEAN_2.0_Applicator-E-070F140OV



TE Part # 2150450-2
OCEAN_2.0_Applicator-E-070F140OVA



TE Part # 505081-1
AMPLIVAR .248 DUAL BLADE PTPBR



TE Part # 63480-1
RCPT STATOR 27-22 0173PTPBR



TE Part # 63940-1
RCPT.187 FL/FAST AMVR 0157TPB



TE Part # 63944-1
RCPT 250 FLG FAST AMVAR TPPHBZ



TE Part # 63964-1
REC STATOR 2800/7400 PTPBR



TE Part # 7-2150450-1
OCEAN_2.0_Applicator-E-070F140OV



TE Part # 7-2150450-2
OCEAN_2.0_Applicator-E-070F140OVA

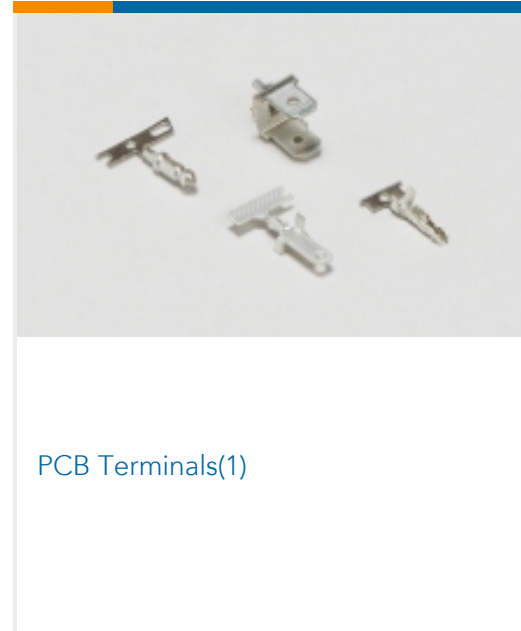
Also in the Series | AMPLIVAR



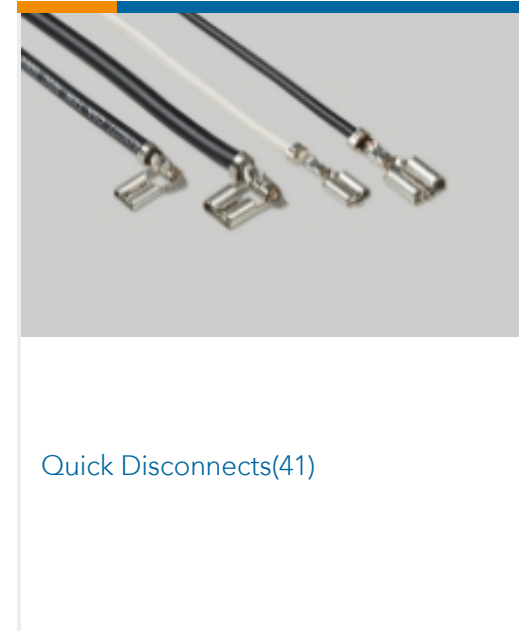
Crimp Wire Pins, Tabs & Ferrules(5)



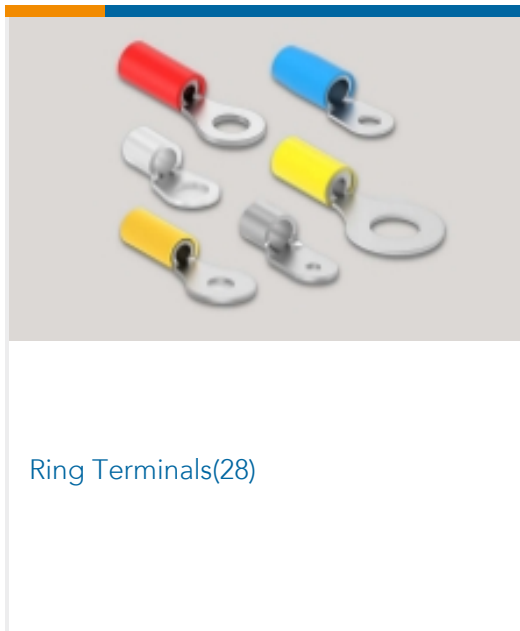
Magnet Wire Terminals(4)



PCB Terminals(1)



Quick Disconnects(41)



Ring Terminals(28)

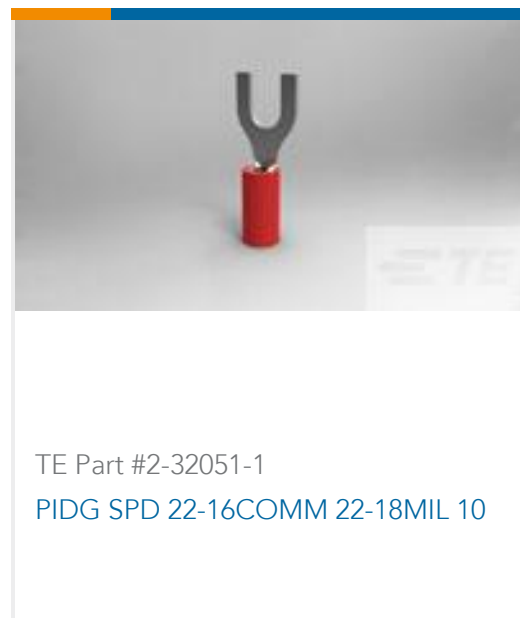


Splices(77)

Customers Also Bought



TE Part #52937-1
TERMINAL,PIDG SPR SPD 16-14 10



TE Part #2-32051-1
PIDG SPD 22-16COMM 22-18MIL 10



TE Part #6609020-8
5EB3=F7105 S0



TE Part #794184-1
02P MINI UMNL2 PLUG HSG UL94V0



TE Part #1-160759-2
250 PL MKI REC. 20-15AWG PTPB



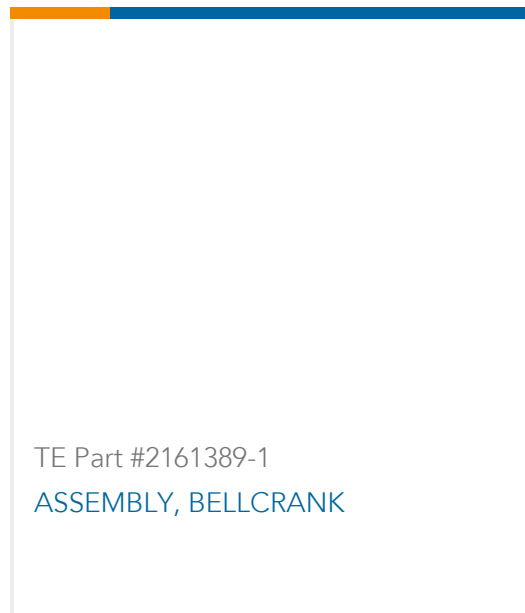
TE Part #62308-2
AMVAR SPLC 3000-7000 020TPBR



TE Part #62306-2
AMVAR SPLC 1500-5000 020TPBR



CRIMPER REPRESENTATION ONLY
TE Part #1-409414-3
CRIMPER,WIRE



Documents

Product Drawings

[250 FAST FLG RCPT AMVAR TPBR](#)

English

[250 FAST FLG RCPT AMVAR TPBR](#)

English

[250 FAST FLG RCPT AMVAR TPBR](#)

English

CAD Files

[3D PDF](#)

3D

Customer View Model

[ENG_CVM_CVM_1742881-1_B.2d_dxf.zip](#)

English

Customer View Model

[ENG_CVM_CVM_1742881-1_B.3d_igs.zip](#)

English

Customer View Model

[ENG_CVM_CVM_1742881-1_B.3d_stp.zip](#)

English

By downloading the CAD file I accept and agree to the [Terms and Conditions](#) of use.

Product Specifications

[Application Specification](#)

English

Product Environmental Compliance

[Product Compliance](#)

English

[Product Compliance](#)

English