

1742841-1 ✓ ACTIVE

FASTON | FASTON 187

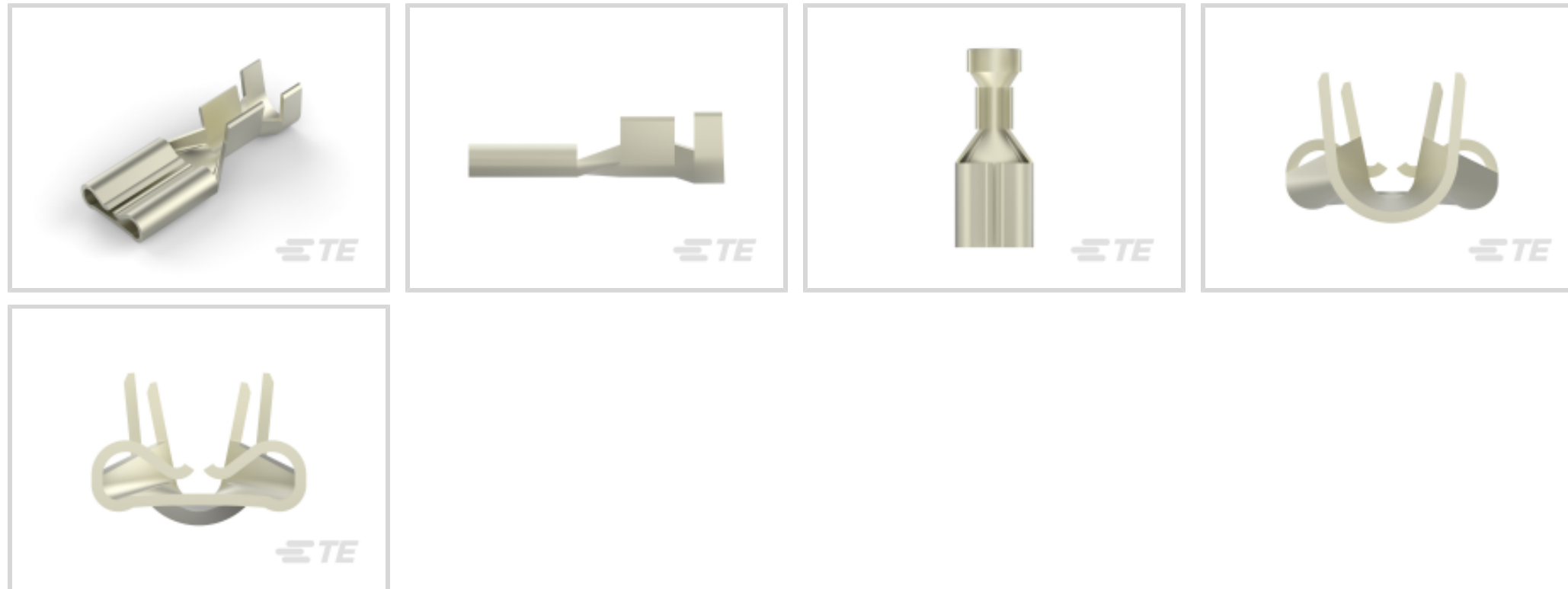
TE Internal #: 1742841-1

Quick Disconnects, Receptacle, 20 – 16 AWG Wire Size, .51 – 1.31 mm<sup>2</sup> Wire Size, Mating Tab Width 4.75 mm [.187 in], Straight, Steel, FASTON 187

[View on TE.com >](#)



Terminals & Splices > Quick Disconnects



Quick Disconnect Terminal Type: **Receptacle**

Wire Size: .51 – 1.31 mm<sup>2</sup>

Mating Tab Width: 4.75 mm [.187 in]

Mating Tab Thickness: .51 mm [.02 in]

## Features

### Product Type Features

Insertion Force	Normal
-----------------	--------

### Configuration Features

Connection Capacity	Single
Compatible With Wire & Cable Type	Discrete Wire

### Contact Features

Quick Disconnect Terminal Type	Receptacle
Mating Tab Width	4.75 mm [.187 in]
Mating Tab Thickness	.51 mm [.02 in]
Terminal Orientation	Straight
Contact Base Material	Steel
Terminal Plating Material	Nickel
Crimp Type	F-Crimp
Barrel Type	Open

### Termination Features

--	--



Product Terminates To	Wire & Cable
-----------------------	--------------

### Mechanical Attachment

Wire Insulation Support	With
Mating Retention Type	Dimple

### Dimensions

Terminal Material Thickness	.3 mm[.012 in]
Product Length	15.11 mm[.595 in]
Compatible Insulation Diameter Range	2.29 – 3.3 mm[.09 – .13 in]
Wire Size	.51 – 1.31 mm <sup>2</sup>

### Usage Conditions

Insulation Option	Uninsulated
Operating Temperature Range	-40 – 250 °C[-40 – 482 °F]

### Industry Standards

Agency/Standard	CSA, RU (UL Component Program), UL
Approved Standards	UL E66717

### Packaging Features

Packaging Quantity	18000
Packaging Method	Strip/Reel

## Product Compliance

[For compliance documentation, visit the product page on TE.com>](#)

EU RoHS Directive 2011/65/EU	Compliant
EU ELV Directive 2000/53/EC	Compliant
China RoHS 2 Directive MIIT Order No 32, 2016	No Restricted Materials Above Threshold
EU REACH Regulation (EC) No. 1907/2006	Current ECHA Candidate List: JUNE 2023 (235) Candidate List Declared Against: JUNE 2023 (235) Does not contain REACH SVHC
Halogen Content	Low Halogen - Br, Cl, F, I < 900 ppm per homogenous material. Also BFR/CFR/PVC Free
Solder Process Capability	Not applicable for solder process capability

Product Compliance Disclaimer



This information is provided based on reasonable inquiry of our suppliers and represents our current actual knowledge based on the information they provided. This information is subject to change. The part numbers that TE has identified as EU RoHS compliant have a maximum concentration of 0.1% by weight in homogenous materials for lead, hexavalent chromium, mercury, PBB, PBDE, DBP, BBP, DEHP, DIBP, and 0.01% for cadmium, or qualify for an exemption to these limits as defined in the Annexes of Directive 2011/65/EU (RoHS2). Finished electrical and electronic equipment products will be CE marked as required by Directive 2011/65/EU. Components may not be CE marked. Additionally, the part numbers that TE has identified as EU ELV compliant have a maximum concentration of 0.1% by weight in homogenous materials for lead, hexavalent chromium, and mercury, and 0.01% for cadmium, or qualify for an exemption to these limits as defined in the Annexes of Directive 2000/53/EC (ELV). Regarding the REACH Regulation, the information TE provides on SVHC in articles for this part number is based on the latest European Chemicals Agency (ECHA) 'Guidance on requirements for substances in articles' posted at this URL: <https://echa.europa.eu/guidance-documents/guidance-on-reach>

## Compatible Parts



TE Part # 2-480435-3  
187 FASTON HSG., REC., 1 POS, BLACK



TE Part # 2-480435-2  
187 FASTON HSG., REC., 1 POS, NATURAL



TE Part # 2150007-1  
OCEAN\_2.0\_Applicator-E-090F140F



TE Part # 1-480435-0  
FASTON 187 REC HSG NYLON NAT



TE Part # 2150007-2  
OCEAN\_2.0\_Applicator-E-090F140F



TE Part # 480435-2  
187 FASTON HSG. REC 1P BLACK



TE Part # 7-2150007-1  
OCEAN\_2.0\_Applicator-E-090F140F



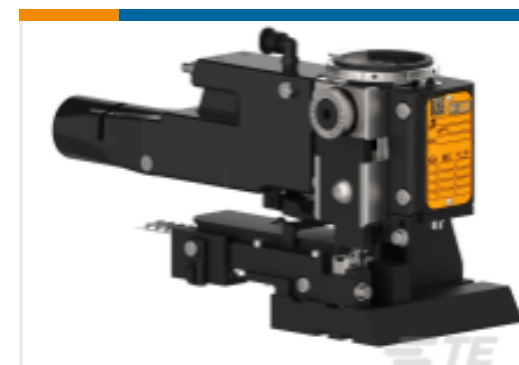
TE Part # 7-2150007-2  
OCEAN\_2.0\_Applicator-E-090F140F



TE Part # 7-2150007-7  
OCEAN\_2.0\_SPARE\_PART\_KIT-090F140F

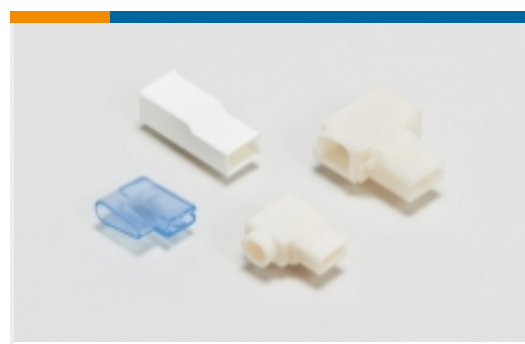


TE Part # 2-2150007-1  
OCEAN\_2.0\_Applicator-E-090F140F



TE Part # 2-2150007-2  
OCEAN\_2.0\_Applicator-E-090F140F

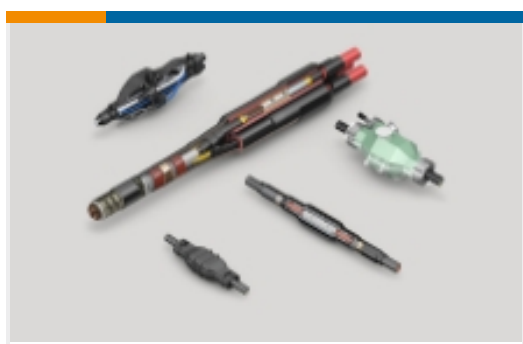
Also in the Series | **FASTON 187**



Crimp Terminal Housings(42)



Insertion & Extraction Tools(1)



Joints & Splices(1)



PCB Terminals(42)



Quick Disconnects(209)

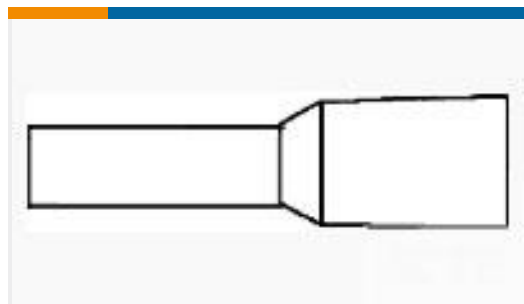


Splices(1)

## Customers Also Bought



TE Part #521368-2  
ULTRA-POD 250 ASSY REC 22-18 AWG TPBR



TE Part #1-966067-7  
FER,WIRE,PL SLV,2.50/14,L12,BLUE,LP



TE Part #2238041-1  
187 FASTON,REC.,20-16 AWG,NPST



TE Part #794221-1  
MINI UMNL2 SOK 22-18 AWG SN



TE Part #180437-2  
110 FASTON,REC.,20-16 AWG,PTBR



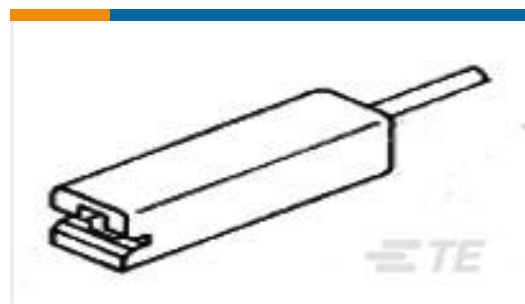
TE Part #42486-2  
187 FASTON FLAG REC 20-16 AWG TPBR



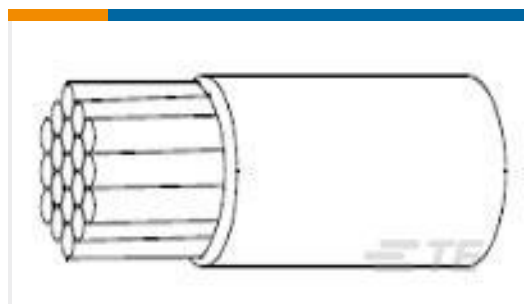
TE Part #63604-1  
250 FASTON FLAG REC 18-12 AWG NPST



TE Part #1625890-8  
2W SM M/OX 5% 120R



TE Part #925387-2  
110 FASTON HSG. REC. 1P CLEAR



TE Part #9354653001  
55A9002-30-5

## Documents



## Product Drawings

### 187 FASTON,REC.,20-16 AWG,NPST

English

---

## CAD Files

### Customer View Model

[ENG\\_CVM\\_CVM\\_1742841-1\\_A.2d\\_dxf.zip](#)

English

### 3D PDF

3D

### Customer View Model

[ENG\\_CVM\\_CVM\\_1742841-1\\_A.3d\\_igs.zip](#)

English

### Customer View Model

[ENG\\_CVM\\_CVM\\_1742841-1\\_A.3d\\_stp.zip](#)

English

By downloading the CAD file I accept and agree to the [Terms and Conditions](#) of use.

---

## Datasheets & Catalog Pages

### 1-1773948-2 Standard Line FASTON Receptacles QRG

English

### Introductory Flyer - Low Insertion Force FASTON Terminals

English

---

## Product Specifications

### Application Specification

English

### Application Specification

English

### FASTIN-FASTON 110, 187, 205 And 312 Series Receptacle Contacts

English

---

## Product Environmental Compliance

[MD\\_1742841-1\\_06122018313\\_dmtec](#)

English

[MD\\_1742841-1\\_06122018313\\_dmtec](#)

English

---