

1742543-1 ✓ ACTIVE

FASTON | FASTON 250

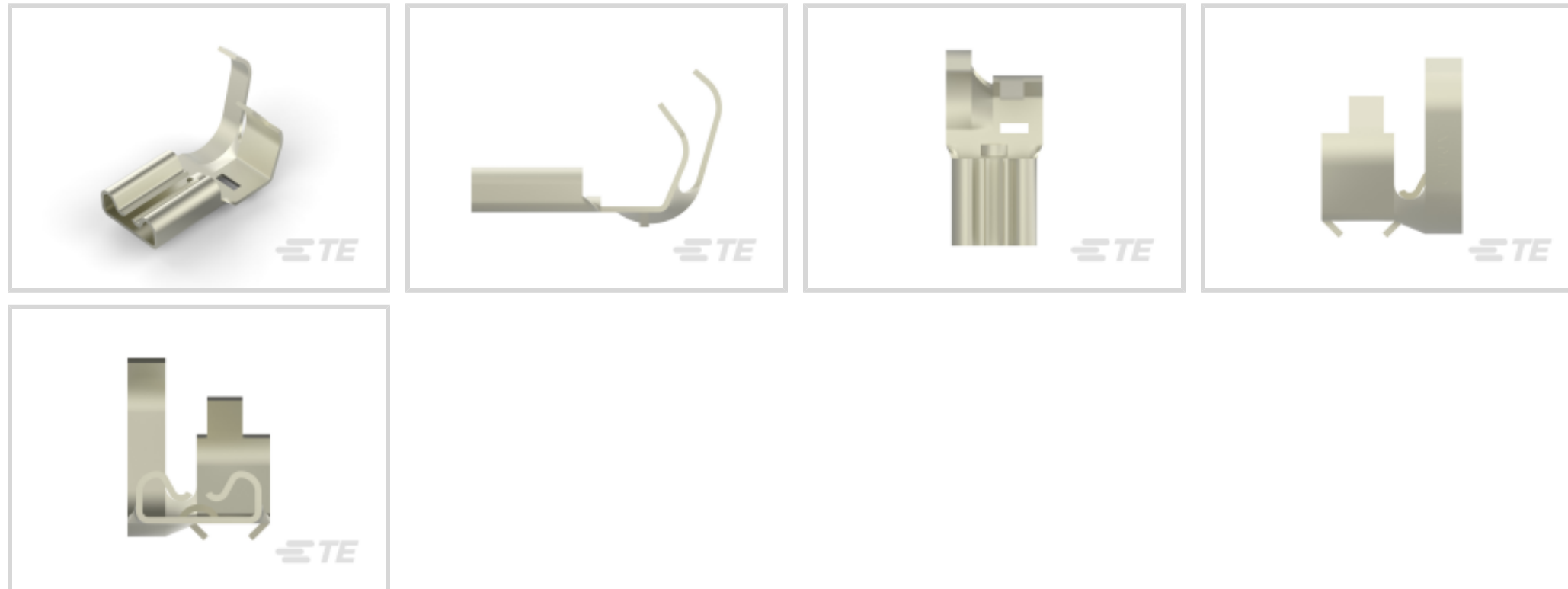
TE Internal #: 1742543-1

Quick Disconnects, Receptacle, 18 – 12 AWG Wire Size, .82 – 3.31 mm² Wire Size, Mating Tab Width 6.35 mm [.25 in], Flag, Steel, FASTON 250

[View on TE.com >](#)



Terminals & Splices > Quick Disconnects



Quick Disconnect Terminal Type: **Receptacle**

Wire Size: **.82 – 3.31 mm²**

Mating Tab Width: **6.35 mm [.25 in]**

Mating Tab Thickness: **.81 mm [.032 in]**

Features

Product Type Features

| | |
|-----------------|-----|
| Insertion Force | Low |
|-----------------|-----|

Configuration Features

| | |
|---------------------|--------|
| Connection Capacity | Single |
|---------------------|--------|

| | |
|-----------------------------------|---------------|
| Compatible With Wire & Cable Type | Discrete Wire |
|-----------------------------------|---------------|

Contact Features

| | |
|--------------------------------|------------|
| Quick Disconnect Terminal Type | Receptacle |
|--------------------------------|------------|

| | |
|------------------|------------------|
| Mating Tab Width | 6.35 mm [.25 in] |
|------------------|------------------|

| | |
|----------------------|------------------|
| Mating Tab Thickness | .81 mm [.032 in] |
|----------------------|------------------|

| | |
|----------------------|------|
| Terminal Orientation | Flag |
|----------------------|------|

| | |
|-----------------------|-------|
| Contact Base Material | Steel |
|-----------------------|-------|

| | |
|---------------------------|--------|
| Terminal Plating Material | Nickel |
|---------------------------|--------|

| | |
|------------|---------|
| Crimp Type | Tab-Lok |
|------------|---------|

| | |
|-------------|------|
| Barrel Type | Open |
|-------------|------|

Termination Features



| | |
|-----------------------|--------------|
| Product Terminates To | Wire & Cable |
|-----------------------|--------------|

Mechanical Attachment

| | |
|-------------------------|------|
| Wire Insulation Support | With |
|-------------------------|------|

| | |
|-----------------------|--------|
| Mating Retention Type | Dimple |
|-----------------------|--------|

Dimensions

| | |
|-----------------------------|-----------------|
| Terminal Material Thickness | .41 mm[.016 in] |
|-----------------------------|-----------------|

| | |
|----------------|------------------|
| Product Length | 17.02 mm[.67 in] |
|----------------|------------------|

| | |
|--------------------------------------|------------------------------|
| Compatible Insulation Diameter Range | 2.79 – 5.33 mm[.11 – .21 in] |
|--------------------------------------|------------------------------|

| | |
|-----------|----------------------------|
| Wire Size | .82 – 3.31 mm ² |
|-----------|----------------------------|

Usage Conditions

| | |
|-------------------|-------------|
| Insulation Option | Uninsulated |
|-------------------|-------------|

| | |
|-----------------------------|----------------------------|
| Operating Temperature Range | -40 – 250 °C[-40 – 482 °F] |
|-----------------------------|----------------------------|

Industry Standards

| | |
|-----------------|-------------------------------|
| Agency/Standard | RU (UL Component Program), UL |
|-----------------|-------------------------------|

| | |
|--------------------|-----------|
| Approved Standards | UL E66717 |
|--------------------|-----------|

Packaging Features

| | |
|--------------------|------|
| Packaging Quantity | 3500 |
|--------------------|------|

| | |
|------------------|------------|
| Packaging Method | Strip/Reel |
|------------------|------------|

Other

| | |
|------|---------|
| Line | Premier |
|------|---------|

| | |
|-----------------------------|------------------|
| Terminals & Splices Comment | Stress Relieved. |
|-----------------------------|------------------|

Product Compliance

[For compliance documentation, visit the product page on TE.com>](#)

| | |
|------------------------------|-----------|
| EU RoHS Directive 2011/65/EU | Compliant |
|------------------------------|-----------|

| | |
|-----------------------------|-----------|
| EU ELV Directive 2000/53/EC | Compliant |
|-----------------------------|-----------|

| | |
|---|---|
| China RoHS 2 Directive MIIT Order No 32, 2016 | No Restricted Materials Above Threshold |
|---|---|

| | |
|--|---|
| EU REACH Regulation (EC) No. 1907/2006 | Current ECHA Candidate List: JUNE 2023 (235) Candidate List Declared Against: JUNE 2023 (235) Does not contain REACH SVHC |
|--|---|

| | |
|-----------------|--|
| Halogen Content | Low Halogen - Br, Cl, F, I < 900 ppm per homogenous material. Also BFR/CFR/PVC |
|-----------------|--|



Free

Solder Process Capability

Not applicable for solder process capability

Product Compliance Disclaimer

This information is provided based on reasonable inquiry of our suppliers and represents our current actual knowledge based on the information they provided. This information is subject to change. The part numbers that TE has identified as EU RoHS compliant have a maximum concentration of 0.1% by weight in homogenous materials for lead, hexavalent chromium, mercury, PBB, PBDE, DBP, BBP, DEHP, DIBP, and 0.01% for cadmium, or qualify for an exemption to these limits as defined in the Annexes of Directive 2011/65/EU (RoHS2). Finished electrical and electronic equipment products will be CE marked as required by Directive 2011/65/EU. Components may not be CE marked. Additionally, the part numbers that TE has identified as EU ELV compliant have a maximum concentration of 0.1% by weight in homogenous materials for lead, hexavalent chromium, and mercury, and 0.01% for cadmium, or qualify for an exemption to these limits as defined in the Annexes of Directive 2000/53/EC (ELV). Regarding the REACH Regulation, the information TE provides on SVHC in articles for this part number is based on the latest European Chemicals Agency (ECHA) 'Guidance on requirements for substances in articles' posted at this URL: <https://echa.europa.eu/guidance-documents/guidance-on-reach>

Compatible Parts



TE Part # 1969507-9
250 FASTON HSG.,FLAG,REC.,1 POS, NATRUAL



TE Part # 2238142-1
250 FASTON,FLAG,REC.,22-16 AWG, NPST



TE Part # 1969507-2
250 FASTON HSG.,FLAG,REC.,1 POS, NATRUAL



TE Part # 1852633-1
EAPOHB160TABLOCK1800 LM/G-HINGE BAR



TE Part # 1852895-1
HDM EMPO K-HINGE BAR



TE Part # 2390747-1
250 FASTON FLAG HOUSING 1P, NAT



TE Part # 2390748-1
250 FASTON FLAG HOUSING 2P, NAT



TE Part # 2390748-2
250 FASTON FLAG HOUSING 2P, BLUE



TE Part # 2390748-3
250 FASTON FLAG HOUSING 2P, RED



TE Part # 687395-6
HDM HBEAPR160T180OTSA



TE Part # 565504-1
STD HBEMPR160T180OK



TE Part # 565504-3
STD HBEMPR160T220OK

Also in the Series | **FASTON 250**



Compression Connectors(4)



Crimp Terminal Housings(142)



Insertion & Extraction Tools(6)



Magnet Wire Terminals(1)



PCB Terminals(135)



Quick Disconnects(445)



Splices(4)

Customers Also Bought



TE Part #1971777-5
PTL TPA HIGH TEMP 1 x 5 BLACK



TE Part #5-1971773-3
PTL 1X3 PLUG HSG HIGH TEMP KEY A LGR



TE Part #1-1971875-3
PTL 3X3 CAP PANEL MT STD TEMP KEY A NAT



TE Part #63604-1
250 FASTON FLAG REC 18-12 AWG NPST



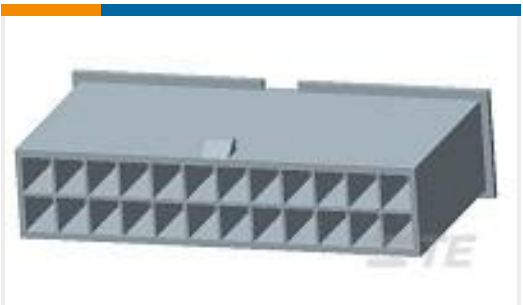
TE Part #1742883-1
187 FASTON,REC.,20-16 AWG,NPST



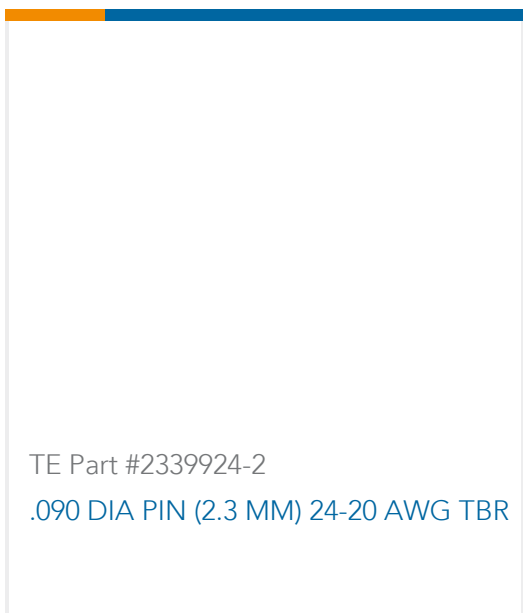
TE Part #1742626-1
250 FASTON,FLAG,REC.,16-14 AWG, NPST



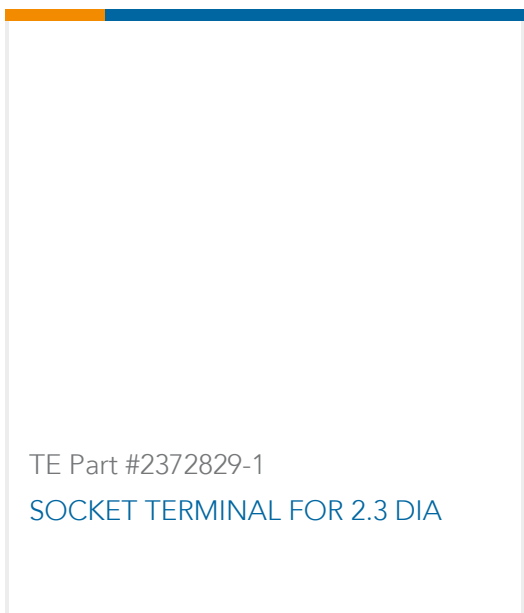
TE Part #1971787-2
PTL RECEPTACLE CONTACT, 2X18 AWG



TE Part #1969612-2
2P FH PLUG VAL-U-LOK V0



TE Part #2339924-2
.090 DIA PIN (2.3 MM) 24-20 AWG TBR



TE Part #2372829-1
SOCKET TERMINAL FOR 2.3 DIA

Documents



Product Drawings

[250 FASTON, FLAG, REC., 18-12 AWG, NPST](#)

English

CAD Files

[3D PDF](#)

3D

Customer View Model

[ENG_CVM_CVM_1742543-1_A.2d_dxf.zip](#)

English

Customer View Model

[ENG_CVM_CVM_1742543-1_A.3d_igs.zip](#)

English

Customer View Model

[ENG_CVM_CVM_1742543-1_A.3d_stp.zip](#)

English

By downloading the CAD file I accept and agree to the [Terms and Conditions](#) of use.

Datasheets & Catalog Pages

[82004 FASTON Terminals \(Insulated and Uninsulated\) Catalog - FASTON Receptacles Section](#)

English

[1-1773948-2 Standard Line FASTON Receptacles QRG](#)

English

[Introductory Flyer - Low Insertion Force FASTON Terminals](#)

English

Product Specifications

[Application Specification](#)

English

Product Environmental Compliance

[TE Material Declaration](#)

English