

174200-1 ✓ ACTIVE

FASTON | FASTON 250

TE Internal #: 174200-1

Crimp Terminal Housings, Tab, Tab Housing, 3 Position, Straight, Natural, Polyamide, Contact Mating Retention, Mating Alignment, FASTON 250

[View on TE.com >](#)



Terminals & Splices > Terminal Housings, Insulation Sleeves & Blocks > Crimp Terminal Housings



Terminal Type: **Tab**

Connector & Housing Type: **Tab Housing**

Number of Positions: **3**

Terminal Orientation: **Straight**

Primary Product Color: **Natural**

Features

Product Type Features

Sealable	No
Connector & Housing Type	Tab Housing

Configuration Features

Number of Positions	3
---------------------	---

Body Features

Primary Product Color	Natural
-----------------------	---------

Contact Features

Terminal Type	Tab
Terminal Orientation	Straight
Contact Mating Retention	With

Mechanical Attachment

Mating Retention Type	Latch
Mating Alignment	With



Connector Mounting Type	Cable Mount (Free-Hanging)
-------------------------	----------------------------

Housing Features

Housing Material	Polyamide
------------------	-----------

Dimensions

Product Length	25 mm[.984 in]
----------------	----------------

Usage Conditions

Operating Temperature Range	-40 – 105 °C[-40 – 221 °F]
-----------------------------	----------------------------

Product Compliance

[For compliance documentation, visit the product page on TE.com>](#)

EU RoHS Directive 2011/65/EU	Compliant
EU ELV Directive 2000/53/EC	Compliant
China RoHS 2 Directive MIIT Order No 32, 2016	No Restricted Materials Above Threshold
EU REACH Regulation (EC) No. 1907/2006	Current ECHA Candidate List: JUNE 2023 (235) Candidate List Declared Against: JUNE 2023 (235) Does not contain REACH SVHC
Halogen Content	Low Halogen - Br, Cl, F, I < 900 ppm per homogenous material. Also BFR/CFR/PVC Free
Solder Process Capability	Not reviewed for solder process capability

Product Compliance Disclaimer

This information is provided based on reasonable inquiry of our suppliers and represents our current actual knowledge based on the information they provided. This information is subject to change. The part numbers that TE has identified as EU RoHS compliant have a maximum concentration of 0.1% by weight in homogenous materials for lead, hexavalent chromium, mercury, PBB, PBDE, DBP, BBP, DEHP, DIBP, and 0.01% for cadmium, or qualify for an exemption to these limits as defined in the Annexes of Directive 2011/65/EU (RoHS2). Finished electrical and electronic equipment products will be CE marked as required by Directive 2011/65/EU. Components may not be CE marked. Additionally, the part numbers that TE has identified as EU ELV compliant have a maximum concentration of 0.1% by weight in homogenous materials for lead, hexavalent chromium, and mercury, and 0.01% for cadmium, or qualify for an exemption to these limits as defined in the Annexes of Directive 2000/53/EC (ELV). Regarding the REACH Regulation, the information TE provides on SVHC in articles for this part number is based on the latest European Chemicals Agency (ECHA) 'Guidance on requirements for substances in articles' posted at this URL: <https://echa.europa.eu/guidance-documents/guidance-on-reach>

Compatible Parts




TE Part # 170038-2
187 FASTON,REC.,20-16 AWG,TPBR



TE Part # 60279-2
250 FASTON REC 18-14 AWG TPBR



TE Part # 182524-2
187 FASTON,REC.,17-14 AWG,TPPB



TE Part # 170048-4
110 FASTON,REC.,24-20 AWG,TPPB



TE Part # 170038-1
187 FASTON,REC.,20-16 AWG,BR



TE Part # 170048-2
110 FASTON,REC.,24-20 AWG,TPBR



TE Part # 60196-3
187 FASTON REC 20-16 AWG TPBR



TE Part # 174195-1
250 FASTON HSG.,REC.,1 POS, NATRUAL

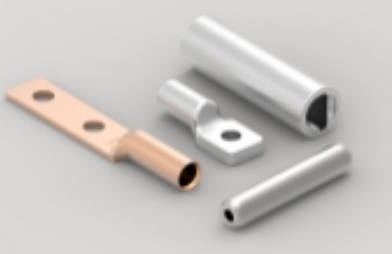


TE Part # 42806-2
250 FASTON REC 18-14 AWG TPBR

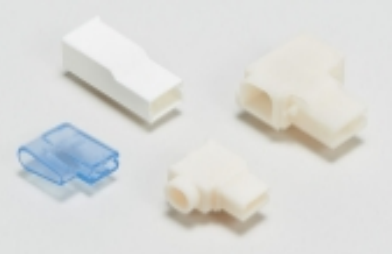


TE Part # 62090-1
250 FASTON REC 14-10 AWG TPBR


Also in the Series | **FASTON 250**



Compression Connectors(4)




Crimp Terminal Housings(142)




Insertion & Extraction Tools(6)



Magnet Wire Terminals(1)



PCB Terminals(135)



Quick Disconnects(445)

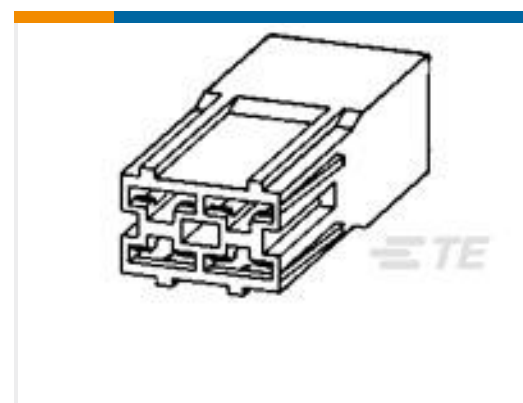


Splices(4)

Customers Also Bought



TE Part #1-964449-1
Timer Connector Housing



TE Part #280073
FF 375 REC HSG 4P NYLON NAT



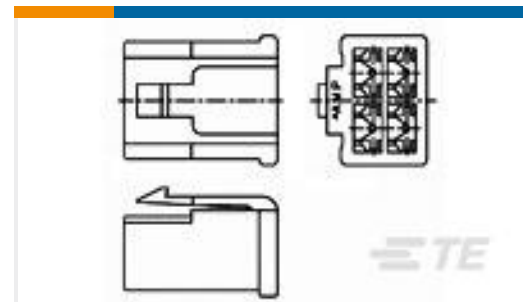
TE Part #964739-1
FLA-STE-GEH2,8 24P



TE Part #936863-1
FAMILY SEAL FOR HYB 42P CAP



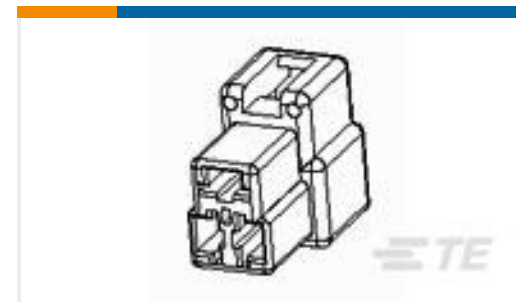
TE Part #1544317-2
PC 2V 8MM WP NG1 B



TE Part #174202-1
250 FASTON HSG.,REC.,4 POS,
NATURAL



TE Part #174204-1
250 FASTON HSG.,REC.,6 POS,
NATURAL



TE Part #174199-1
250 FASTON HSG.,REC.,3 POS,
NATURAL



TE Part #85136-1
250 8P PLUG HSG (MK-II)

Documents

Product Drawings

[250 FASTON HSG.,REC.,3 POS,NATURAL](#)

English

CAD Files

[3D PDF](#)

3D

Customer View Model

[ENG_CVM_CVM_174200-1_O_c-174200-1-o.2d_dxf.zip](#)

English

Customer View Model

[ENG_CVM_CVM_174200-1_O_c-174200-1-o.3d_igs.zip](#)

English

Customer View Model

[ENG_CVM_CVM_174200-1_O_c-174200-1-o.3d_stp.zip](#)

English

By downloading the CAD file I accept and agree to the [Terms and Conditions](#) of use.

Product Specifications



[.110,.187 & 250 Series FASTON Terminals](#)

English

[Product Specification](#)

English