

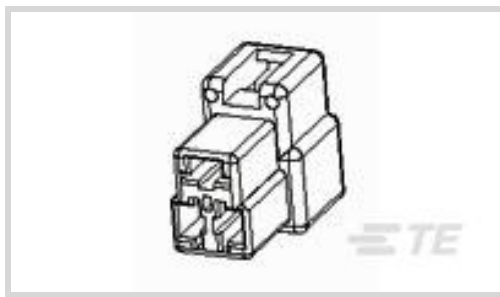
174199-1 ✓ ACTIVE

FASTON 250

TE Internal #: 174199-1

TE Internal Description: 250 FASTON HSG.,REC.,3 POS,NATRUAL

[View on TE.com >](#)



Product Compliance

[For compliance documentation, visit the product page on TE.com>](#)

| | |
|---|---|
| EU RoHS Directive 2011/65/EU | Compliant |
| EU ELV Directive 2000/53/EC | Compliant |
| China RoHS 2 Directive MIIT Order No 32, 2016 | No Restricted Materials Above Threshold |
| EU REACH Regulation (EC) No. 1907/2006 | Current ECHA Candidate List: JUNE 2023 (235) Candidate List Declared Against: JUNE 2023 (235) Does not contain REACH SVHC |
| Halogen Content | Low Halogen - Br, Cl, F, I < 900 ppm per homogenous material. Also BFR/CFR/PVC Free |
| Solder Process Capability | Not reviewed for solder process capability |

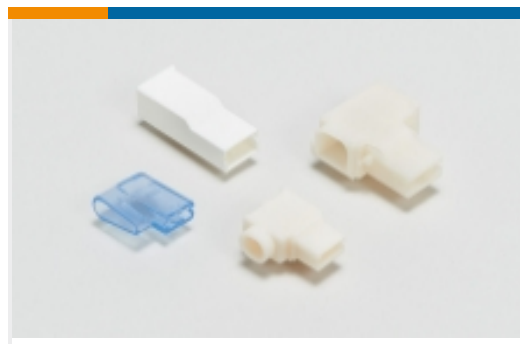
Product Compliance Disclaimer

This information is provided based on reasonable inquiry of our suppliers and represents our current actual knowledge based on the information they provided. This information is subject to change. The part numbers that TE has identified as EU RoHS compliant have a maximum concentration of 0.1% by weight in homogenous materials for lead, hexavalent chromium, mercury, PBB, PBDE, DBP, BBP, DEHP, DIBP, and 0.01% for cadmium, or qualify for an exemption to these limits as defined in the Annexes of Directive 2011/65/EU (RoHS2). Finished electrical and electronic equipment products will be CE marked as required by Directive 2011/65/EU. Components may not be CE marked. Additionally, the part numbers that TE has identified as EU ELV compliant have a maximum concentration of 0.1% by weight in homogenous materials for lead, hexavalent chromium, and mercury, and 0.01% for cadmium, or qualify for an exemption to these limits as defined in the Annexes of Directive 2000/53/EC (ELV). Regarding the REACH Regulation, the information TE provides on SVHC in articles for this part number is based on the latest European Chemicals Agency (ECHA) 'Guidance on requirements for substances in articles' posted at this URL: <https://echa.europa.eu/guidance-documents/guidance-on-reach>

Also in the Series | **FASTON 250**



Compression Connectors(4)



Crimp Terminal Housings(142)



Insertion & Extraction Tools(6)



Magnet Wire Terminals(1)



PCB Terminals(135)



Quick Disconnects(445)



Splices(4)

Customers Also Bought



TE Part #917687-1
2.5 SIGNAL D/LOCK PLUG HSG 3P



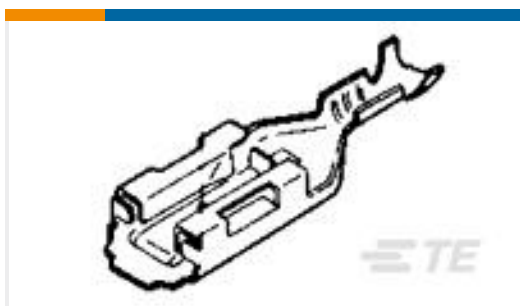
TE Part #174197-1
FASTON .250 SERIES (6.3 MM)
HOUSING



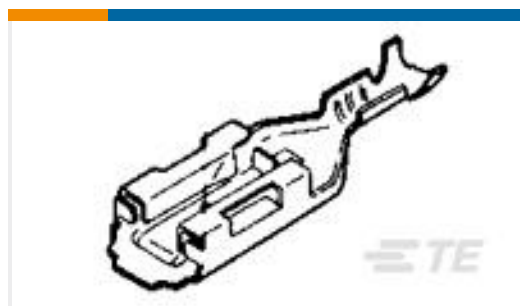
TE Part #41274-1
250 FASTON,REC.,18-14 AWG,TPBR



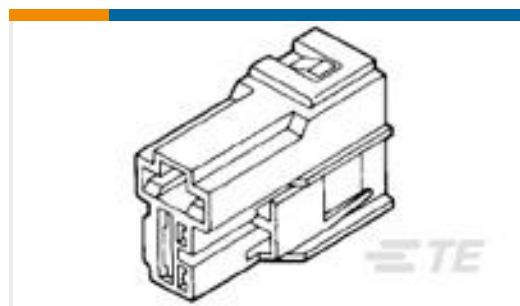
TE Part #171809-2
POSITIVE LOCK (PL) HOUSING



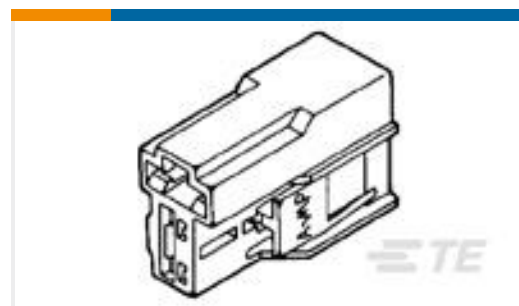
TE Part #170452-2
PL 250 AUTOMOTIVE REC 22-20 AWG
PRE TPBR



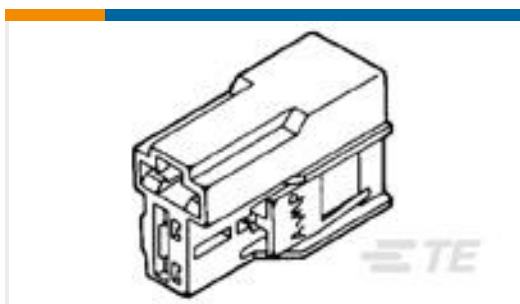
TE Part #170454-2
PL 250 AM REC 18-14 0.40 X 21 PRE-
TPBR



TE Part #172864-2
250 HSG. REC. 6mm 2P BLACK



TE Part #172434-2
POSITIVE LOCK 250 (6.3 MM)
HOUSING



TE Part #172434-1
POSITIVE LOCK 250 (6.3 MM)
HOUSING



TE Part #172864-1
250 POSITIVE DBL LOCK 2P NATUR

Documents



Product Drawings

250 FASTON HSG.,REC.,3 POS,NATRUAL

English

CAD Files

3D PDF

3D

Customer View Model

[ENG_CVM_CVM_174199-1_O.2d_dxf.zip](#)

English

Customer View Model

[ENG_CVM_CVM_174199-1_O.3d_igs.zip](#)

English

Customer View Model

[ENG_CVM_CVM_174199-1_O.3d_stp.zip](#)

English

By downloading the CAD file I accept and agree to the [Terms and Conditions](#) of use.