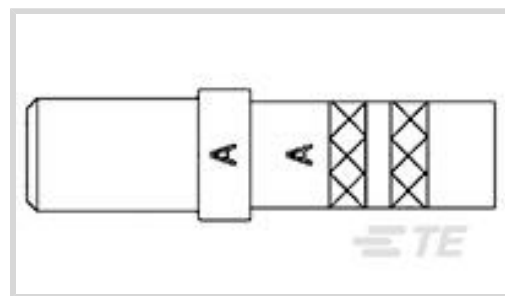




Connectors &gt; Power Connectors &gt; Power Contacts

Power Contact Type: **Contact**Operating Voltage: **279.84 VDC**Contact Mating Area Plating Material: **Gold**Wire Size: **24 – 20 AWG**

## Features

### Product Type Features

Power Contact Type	Contact
Connector & Contact Terminates To	Printed Circuit Board

### Electrical Characteristics

Operating Voltage	279.84 VDC
-------------------	------------

### Contact Features

Contact Size	Size 20
Contact Mating Area Plating Material	Gold
Contact Current Rating (Max)	7.5 A
Contact Type	Pin
Contact Retention Within Housing	With
Mating Pin Diameter	1.04 mm[.041 in]
Contact Base Material	Copper Alloy
Contact Mating Area Plating Material Thickness	.76 – 76 μm[30 μin]
Wire Contact Termination Area Plating Thickness	1.27 μm[50 μin]
Wire Contact Termination Area Plating Material	Gold
Contact Orientation	Right Angle
Contact Underplating Material	Nickel

### Termination Features

Termination Method to Wire & Cable	Crimp
------------------------------------	-------

### Mechanical Attachment



Wire Insulation Support	With
-------------------------	------

### Dimensions

Wire Size	24 – 20 AWG
-----------	-------------

### Usage Conditions

Operating Temperature Range	-65 – 125 °C[-85 – 257 °F]
-----------------------------	----------------------------

### Operation/Application

Circuit Application	Signal
---------------------	--------

### Identification Marking

Contact Color Code	Green
--------------------	-------

### Packaging Features

Packaging Quantity	1000
--------------------	------

Packaging Method	Package
------------------	---------

## Product Compliance

[For compliance documentation, visit the product page on TE.com>](#)

EU RoHS Directive 2011/65/EU	Compliant with Exemptions
------------------------------	---------------------------

EU ELV Directive 2000/53/EC	Not Yet Reviewed
-----------------------------	------------------

China RoHS 2 Directive MIIT Order No 32, 2016	Restricted Materials Above Threshold
---	--------------------------------------

EU REACH Regulation (EC) No. 1907/2006	<p>Current ECHA Candidate List: JUNE 2023 (235)  Candidate List Declared Against: JUL 2021 (219)  SVHC &gt; Threshold:  Pb (1% in Component Part)</p> <p><b>Article Safe Usage Statements:</b>  Do not eat, drink or smoke when using this product. Wash thoroughly after handling. Recycle if possible and dispose of the article by following all applicable governmental regulations relevant to your geographic location.</p>
--	---

Halogen Content	Low Halogen - Br, Cl, F, I < 900 ppm per homogenous material. Also BFR/CFR/PVC Free
-----------------	---

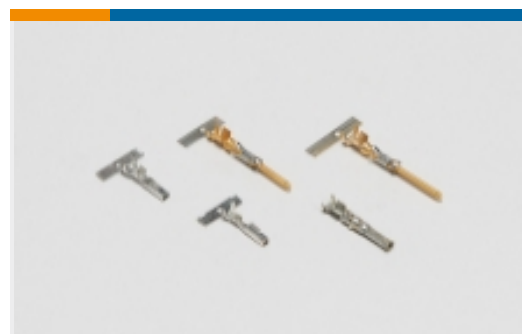
Solder Process Capability	Not applicable for solder process capability
---------------------------	--

#### Product Compliance Disclaimer

This information is provided based on reasonable inquiry of our suppliers and represents our current actual knowledge based on the information they provided. This information is subject to change. The part numbers that TE has identified as EU RoHS compliant have a maximum concentration of 0.1% by weight in homogenous materials for lead, hexavalent chromium, mercury, PBB, PBDE, DBP, BBP, DEHP, DIBP, and 0.01% for cadmium, or qualify for an exemption to these limits as defined in the Annexes of Directive 2011/65/EU (RoHS2). Finished electrical and electronic equipment products will be CE marked as required by Directive 2011/65/EU. Components may not be CE marked. Additionally, the part numbers that TE has identified as EU ELV compliant have a maximum concentration of 0.1% by weight in homogenous materials for lead, hexavalent chromium, and mercury, and 0.01% for cadmium, or qualify for an exemption to these limits

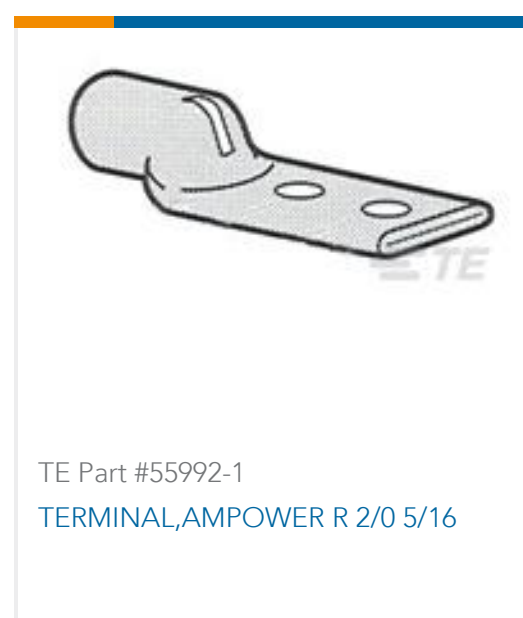
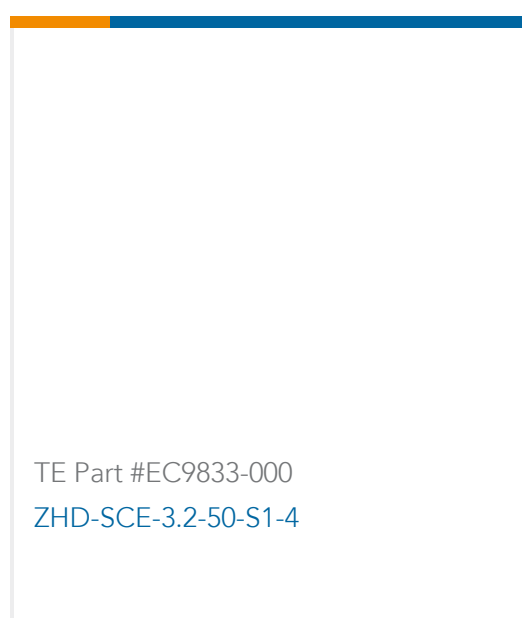
as defined in the Annexes of Directive 2000/53/EC (ELV). Regarding the REACH Regulation, the information TE provides on SVHC in articles for this part number is based on the latest European Chemicals Agency (ECHA) 'Guidance on requirements for substances in articles' posted at this URL: <https://echa.europa.eu/guidance-documents/guidance-on-reach>

## Also in the Series | AMP GPR



Power Contacts(1)

## Customers Also Bought



## Documents

### Product Drawings

PIN CONT,SIZE 20.GPR

English

### CAD Files

Customer View Model

[ENG\\_CVM\\_1738011-1\\_A.3d\\_igs.zip](#)

English

Customer View Model

[ENG\\_CVM\\_1738011-1\\_A.3d\\_stp.zip](#)

English



### Customer View Model

[ENG\\_CVM\\_1738011-1\\_A.2d\\_dxf.zip](#)

English

[3D PDF](#)

English

By downloading the CAD file I accept and agree to the [Terms and Conditions](#) of use.

---

### Datasheets & Catalog Pages

[ARINC 600 Next Generation Receptacle Connector](#)

English