

173682-1 ✓ ACTIVE

AMP | Multilock Connector System

TE Internal #: 173682-1

Automotive Terminals, Tab, Mating Tab Width 1 mm [.039 in], Tab Thickness .64 mm [.025 in], 22 – 20 AWG Wire Size, Multilock Connector System

[View on TE.com >](#)



Terminals & Splices > Automotive Terminals > MULTILOCK, RECEPTACLE AND TAB



Terminal Type: **Tab**

Mating Tab Width: **1 mm [.039 in]**

Mating Tab Thickness: **.64 mm [.025 in]**

Terminal Transmits: **0 – 24 A (Low Power)**

Wire Size: **22 – 20 AWG**

[All MULTILOCK, RECEPTACLE AND TAB \(136\)](#)

## Features

### Product Type Features

Sealable	No
Primary Locking Feature	Clean Body

### Contact Features

Contact Size	1mm
Contact Fabrication	Stamped & Formed
Wire Contact Termination Area Plating Material	Tin
Typical Current Rating	5 A
Crimp Type	F-Crimp
Terminal Type	Tab
Mating Tab Width	1 mm[.039 in]
Mating Tab Thickness	.64 mm[.025 in]
Interface Plating	Tin (Sn)

### Termination Features

Termination Method to Wire & Cable	Crimp
Product Terminates To	Wire

### Dimensions



Compatible Insulation Diameter Range	1.8 – 2 mm [.071 – .079 in]
Wire Size	.3 – .5 mm <sup>2</sup>
Wire Size Search	20 AWG, 21 AWG, 22 AWG

### Usage Conditions

Insulation Option	Uninsulated
Operating Temperature (Max)	80 °C, 85 °C, 90 °C, 100 °C, 105 °C [176 °F][185 °F][194 °F][212 °F][221 °F]
Operating Temperature Range	-30 – 105 °C [-22 – 221 °F]

### Packaging Features

Packaging Quantity	5000
Packaging Method	Reel

### Other

Terminal Transmits	0 – 24 A (Low Power)
--------------------	----------------------

## Product Compliance

[For compliance documentation, visit the product page on TE.com>](#)

EU RoHS Directive 2011/65/EU	Compliant
EU ELV Directive 2000/53/EC	Compliant
China RoHS 2 Directive MIIT Order No 32, 2016	No Restricted Materials Above Threshold
EU REACH Regulation (EC) No. 1907/2006	Current ECHA Candidate List: JUNE 2023 (235) Candidate List Declared Against: JUNE 2023 (235) Does not contain REACH SVHC
Halogen Content	Low Halogen - Br, Cl, F, I < 900 ppm per homogenous material. Also BFR/CFR/PVC Free
Solder Process Capability	Not applicable for solder process capability

#### Product Compliance Disclaimer

This information is provided based on reasonable inquiry of our suppliers and represents our current actual knowledge based on the information they provided. This information is subject to change. The part numbers that TE has identified as EU RoHS compliant have a maximum concentration of 0.1% by weight in homogenous materials for lead, hexavalent chromium, mercury, PBB, PBDE, DBP, BBP, DEHP, DIBP, and 0.01% for cadmium, or qualify for an exemption to these limits as defined in the Annexes of Directive 2011/65/EU (RoHS2). Finished electrical and electronic equipment products will be CE marked as required by Directive 2011/65/EU. Components may not be CE marked. Additionally, the part numbers that TE has identified as EU ELV compliant have a maximum concentration of 0.1% by weight in homogenous materials for lead, hexavalent chromium, and mercury, and 0.01% for cadmium, or qualify for an exemption to these limits as defined in the Annexes of Directive 2000/53/EC (ELV). Regarding the REACH Regulation, the information TE provides

on SVHC in articles for this part number is based on the latest European Chemicals Agency (ECHA) 'Guidance on requirements for substances in articles' posted at this URL: <https://echa.europa.eu/guidance-documents/guidance-on-reach>

## Compatible Parts



TE Part # CAT-M9194-CH8172  
MULTILOCK, CONNECTOR HOUSING



TE Part # 2305570-1  
Strip Terminal Cutter-Side Feed-No Crimp



TE Part # 1743765-1  
040 MLC MK-I REC CONT



TE Part # 91577-1  
CCII 040 SERIES REC TAB 22-20 ASSY



TE Part # 2151184-1  
OCEAN\_2.0\_APPLICATOR-S-062F070BX



TE Part # 2151184-2  
OCEAN\_2.0\_APPLICATOR-S-062F070BX



TE Part # 5-2151184-1  
OCEAN\_2.0\_APPLICATOR-S-062F070BX



TE Part # 5-2151184-2  
OCEAN\_2.0\_APPLICATOR-S-062F070BX



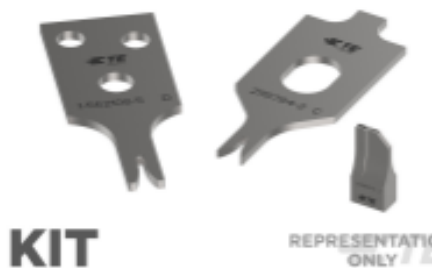
TE Part # 7-2151184-1  
OCEAN\_2.0\_APPLICATOR-S-062F070BX



TE Part # 7-2151184-2  
OCEAN\_2.0\_APPLICATOR-S-062F070BX



TE Part # 7-2151184-7  
OCEAN\_2.0\_SPARE\_PART\_KIT-062F070BX



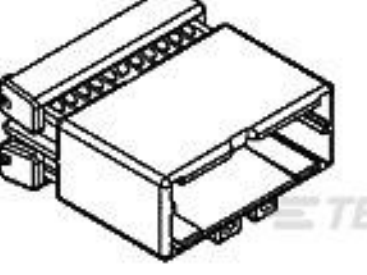
TE Part # 7-2266366-7  
OC-062F070BX-752-CRIMPTOOLINGKIT



TE Part # 2-2151184-1  
OCEAN\_2.0\_APPLICATOR-S-062F070BX



TE Part # 2-2151184-2  
OCEAN\_2.0\_APPLICATOR-S-062F070BX



TE Part # 175504-2  
040 MULTILOCK I/O CAP HSG 20P

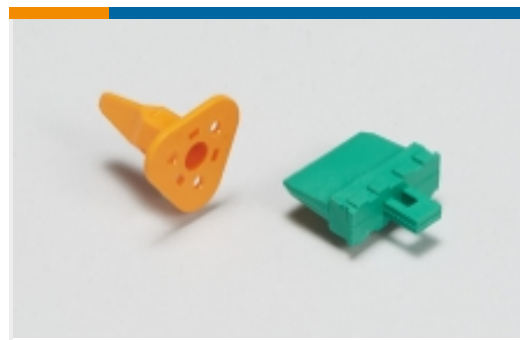
## Also in the Series | Multilock Connector System



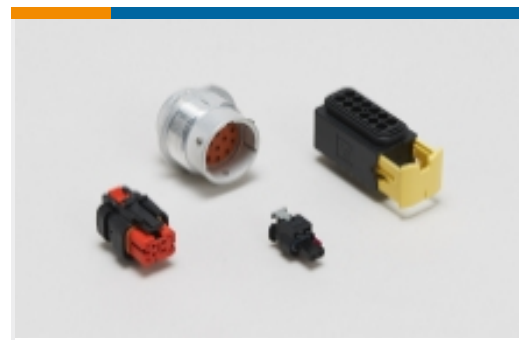
Automotive Connector Caps & Covers (17)



Automotive Connector EMC Shielding (1)



Automotive Connector Locks & Position Assurance(2)



Automotive Housings(603)



Automotive Terminals(141)



Connector Seals & Cavity Plugs(2)



Insertion & Extraction Tools(6)



Other Automotive Connector Accessories(14)



PCB Headers & Receptacles(142)

## Customers Also Bought



TE Part #175652-2  
MULTILOCK, CONNECTOR HOUSING



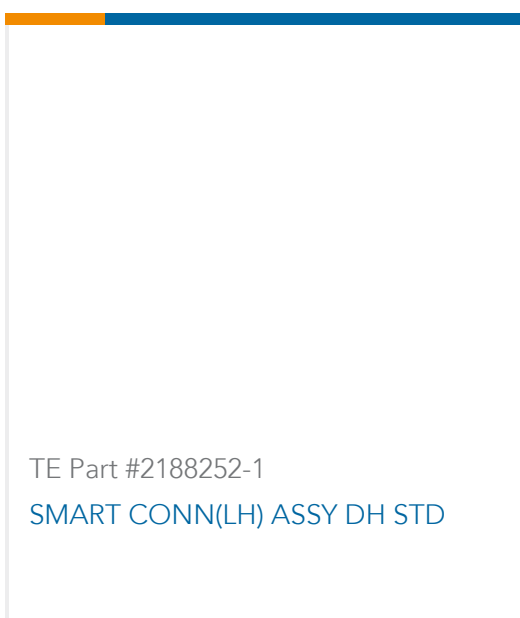
TE Part #2177472-1  
73POS, MIXED,REC HSG,ASSY,BK



TE Part #K2000791  
Micro Switch MZX1 021 302



TE Part #1-2188252-1  
SMART CONN(RH) ASSY DH STD



TE Part #2188252-1  
SMART CONN(LH) ASSY DH STD

## Documents



### Product Drawings

#### 040 MLC TAB CONTACT

Japanese

---

### CAD Files

#### 3D PDF

English

#### Customer View Model

[ENG\\_CVM\\_173682-1\\_C2.3d\\_igs.zip](#)

English

#### Customer View Model

[ENG\\_CVM\\_173682-1\\_C2.3d\\_stp.zip](#)

English

#### Customer View Model

[ENG\\_CVM\\_173682-1\\_C2.2d\\_dxf.zip](#)

English

By downloading the CAD file I accept and agree to the [Terms and Conditions](#) of use.

---

### Datasheets & Catalog Pages

#### MULTILOCK Connector System

English

---

### Product Specifications

#### Application Specification

English

#### Crimping .040 Series Tab Contact

English